

LED SUSPENSION LIGHT

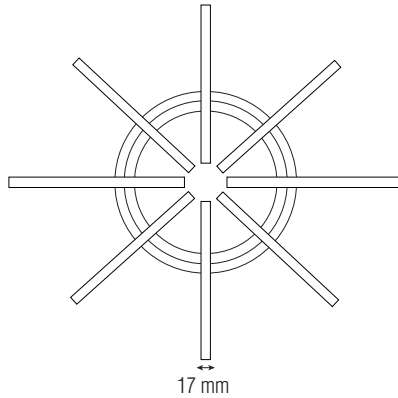
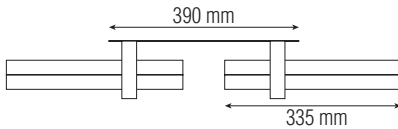
Product&Family Code:

019 004 0040

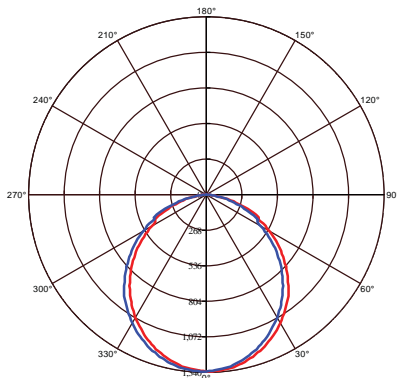
EXCLUSIVE-40

WHITE

Technical Drawing



Photometric Diagram



C0 Plane beam angle(50%): C90 Plane beam angle(50%)

C0 Plane beam angle(50%):105.3(DEG) C90 Plane beam angle(50%):105.5(DEG)

Technical Data

Voltage (V)	220-240
Product Wattage (W)	40
Equivalence with incandescent lamp(W)	320
Colour Render Index (Ra)	>Ra70
Colour Temperature (K)	4000K
Materials	Metal + Aluminium + Acrylic
Protection Class	I
Dimmable	No
EEI	A to A++
Warm-up time up to 60 % of the full light output	Instant Full Light
Luminous Flux (lm)	2800
Luminous Efficacy (lm/W)	70
Rated Life (hrs) ⌚	50.000
IP Rating	10
Power Factor	>0.9
Beam Angle	120°

Applications

- LED Suspension Light has been specifically designed for use indoors and is ideal for both hospitality and residential lighting.



Features

- High Lumen and CRI, Good quality & Constant Current driver.
- High heat dissipation, low carbon and environmental protection.
- SMD LED Lamp Base
- Very low energy consumption

