

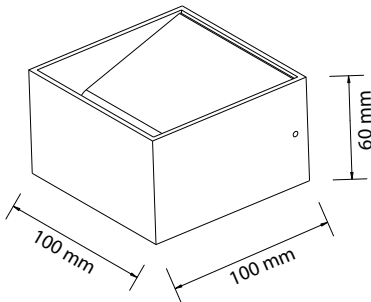
LED WALL LIGHT

Product&Family Code: 029 007 0008

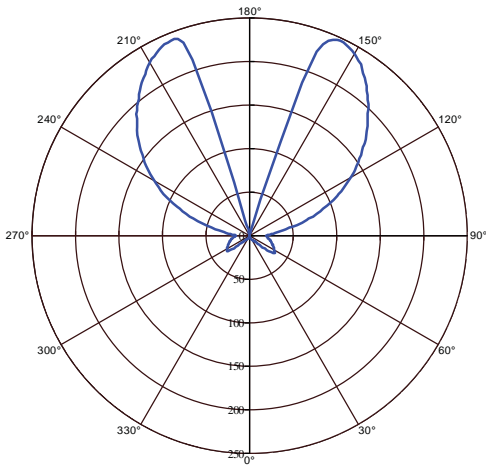
TRUVA



Technical Drawing



Photometric Diagram



CO Plane beam angle(50%):80.0(DEG) C90 Plane beam angle(50%):324.2(DEG)

Technical Data	
Voltage (V)	100-240V
Product Wattage (W)	8
Equivalence with incandescent lamp(W)	64
Colour Render Index (Ra)	>Ra 70
Colour Temperature (K)	4200
Materials	Iron
Protection Class	II
Dimmable	No
EEI	A to A ⁺⁺
Warm-up time up to 60 %of the full light output	Instant Full Light
Luminous Flux (lm)	520
Luminous Efficacy (lm/W)	65
Rated Life (hrs) ⌚	30.000
IP Rating	20
Power Factor	>0.5
Beam Angle	180°
Starting Time	<0.2s
Number of ON-OFF cycling	x15.000

Applications

- Styled bedroom, hallway, living room or dining area.



Features

- High Lumen and CRI, Good quality & Constant Current driver.
- High heat dissipation, low carbon and environmental protection.
- COB LED Lamp Base.
- Very low energy consumption.

