

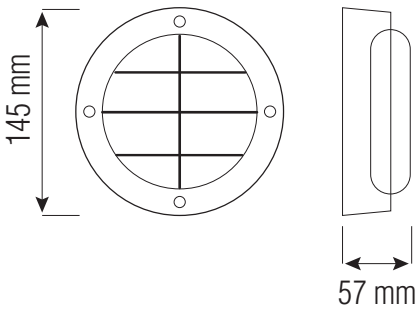
# LED BULKHEAD LAMP

Product&Family Code: 071 004 0006

ANT



## Technical Drawing



Technical Data	
Voltage (V)	170-260V
Product Wattage (W)	6
Equivalence with incandescent lamp(W)	48
Colour Render Index (Ra)	>Ra70
Colour Temperature (K)	4000K
Materials	Aluminium Body
Protection Class	I
Dimmable	No
EEI	A to A++
Warm-up time up to 60 %of the full light output	Instant Full Light
Luminous Flux (lm)	300
Luminous Efficacy (lm/W)	50
Rated Life (hrs) ⌚	35.000
IP Rating	54
Power Factor	>0.5
Beam Angle	93°
Starting Time	<0.2s
Number of ON-OFF cycling	x15.000

## Applications

- Designed Outdoor applications: Corridor, Underground Parking, Basement, Warehouse



## Features

- High Lumen and CRI, Good quality & Constant Current driver.
- High heat dissipation, low carbon and environmental protection.
- SMD LED Lamp Base.
- Innovative Design of Assembly Structure

## Photometric Diagram

