

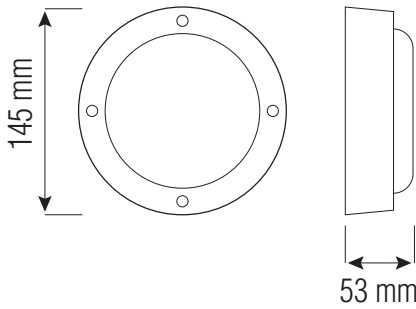
LED BULKHEAD LAMP

Product&Family Code: 071 003 0006

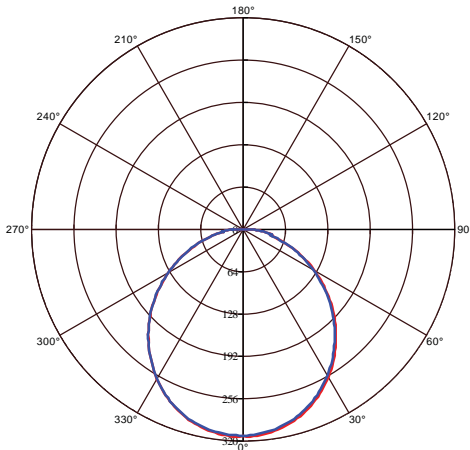
RAMAN



Technical Drawing



Photometric Diagram



↳ C0 Plane beam angle(50%) ↳ C90 Plane beam angle(50%)

C0 Plane beam angle(50%):107.1(DEG) C90 Plane beam angle(50%):107.0(DEG)

Technical Data	
Voltage (V)	170-260V
Product Wattage (W)	6
Equivalence with incandescent lamp(W)	48
Colour Render Index (Ra)	>Ra70
Colour Temperature (K)	4000K
Materials	Aluminium Body
Protection Class	I
Dimmable	No
EEI	A to A++
Warm-up time up to 60 %of the full light output	Instant Full Light
Luminous Flux (lm)	400
Luminous Efficacy (lm/W)	67
Rated Life (hrs) ⌚	35.000
IP Rating	54
Power Factor	>0.5
Beam Angle	107°
Starting Time	<0.2s
Number of ON-OFF cycling	x15.000

Applications

- Designed Outdoor applications: Corridor, Underground Parking, Basement, Warehouse



Features

- High Lumen and CRI, Good quality & Constant Current driver.
- High heat dissipation, low carbon and environmental protection.
- SMD LED Lamp Base.
- Innovative Design of Assembly Structure

