

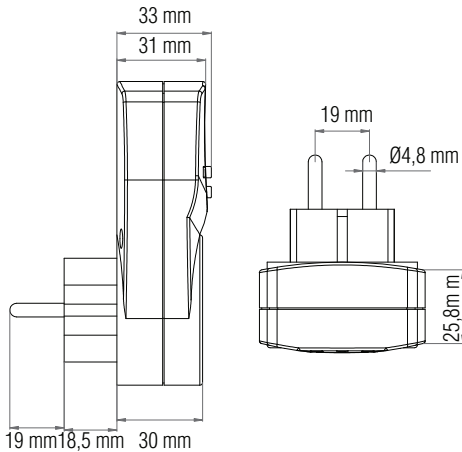
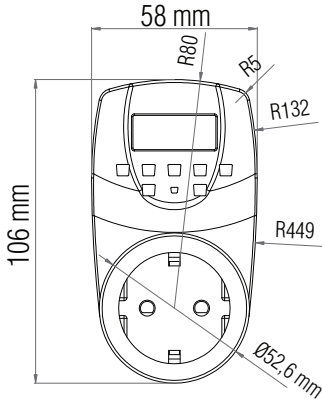
DIGITAL WEEKLY ELECTRONIC TIMER PLUG

Product&Family Code: 108 002 0001

TIMER-2


| Technical Data | |
|---------------------|-----------|
| Voltage (V) | 220-240V |
| Product Wattage (W) | 3500(Max) |
| Current (A) | 7.8(Max) |
| Programs | 20 on/off |
| Min.Time Interval | 1 Minutes |
| Materials | Plastic |
| Protection Class | I |
| IP Rating | 20 |

Technical Drawing



Applications

- Use for indoors and in dry location



Features

- Easy Operation.
- Daily and weekly program.
- One outlet.
- Ideal for reminding you of daily chores
- Rechargeable NiMH battery-used inside(NIMH 1.2V)

