

■ Datasheet: Residual current circuit breaker 40A, 4-pole, 30mA, type EV



■ SCHRACK-INFO

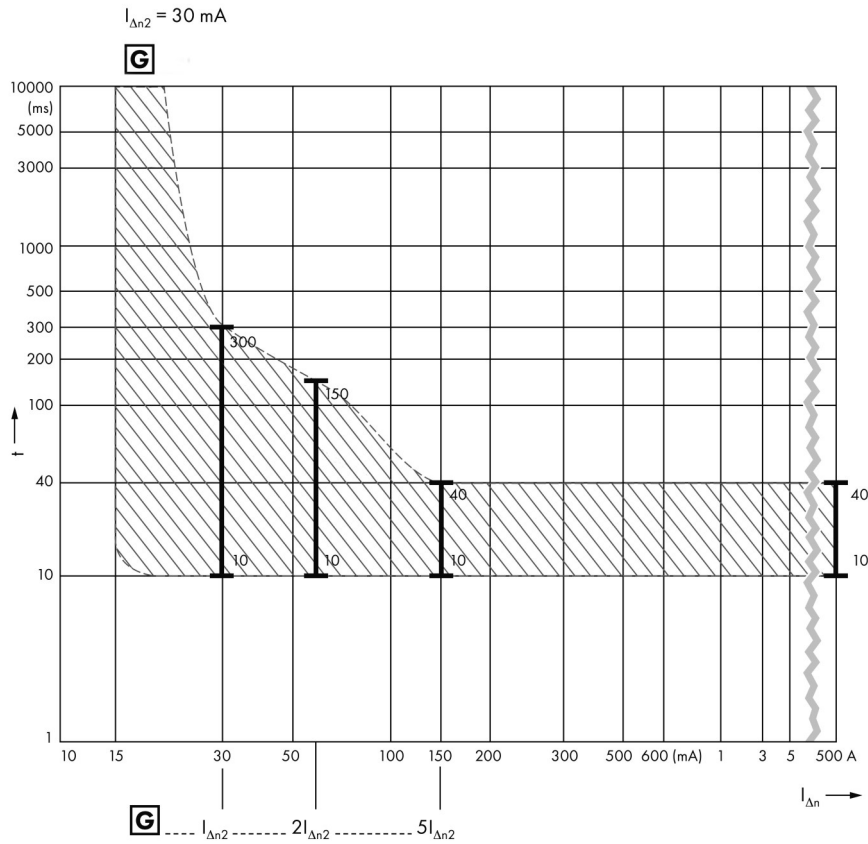
- Mains-voltage-dependent function for detecting smooth DC residual currents
- Multifunction switch toggle with three positions: "on", "off" or "tripped"
- Can be used in single- or three-phase networks
- Double-sided two-tier terminals
- Any feeding direction

■ Technical data

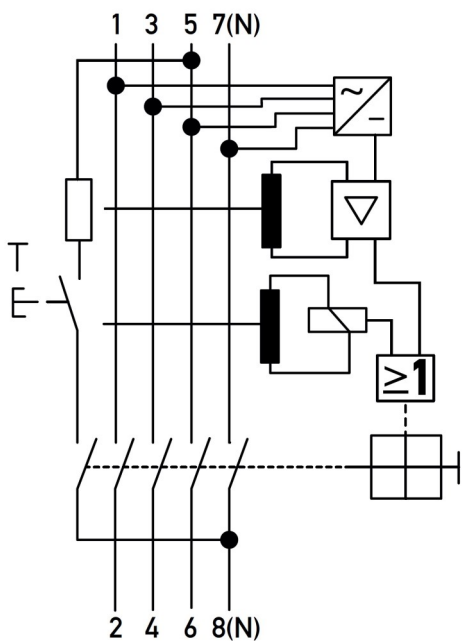
Standards	EN 61008
Rated current I_n	40 A
Rated residual current $I_{\Delta n}$	30 mA
DC tripping threshold	6 mA
Rated voltage U_n	230 V / 400 V AC
Rated frequency	50 Hz
Short-time delayed	yes
Selective	no
Neutral conductor position	left
Number of poles	4
Min. operating voltage range of test circuit	150 V
Max. operating voltage range of test circuit	250 V
Auxiliary device (6 mA DC detection)	
Operating voltage of additional device	85 V ... 265 V
Internal consumption of additional device	1.7 W

Load circuit	
Specification	Load switch contact
Min. output O ₁ contact opening	4 mm
Rated short-circuit current	10 kA
Surge current strength	3 kA
Max. output O1 total rated switching capacity	500 A
Rated insulation voltage	400 V
Rated impulse withstand voltage	4 kV
Current heat loss per current path	1.3 W
Thermal backup-fuse OCPD	40 A gG
Short-circuit backup-fuse SCPD	100 A gG
Backup-fuse type	gG
General data	
Storage temperature	-35 °C ... 75 °C
Ambient temperature	-25 °C ... 40 °C
Climate resistance	According to EN 60068-2-30
Mechanical endurance	min. 5000 cycles
Electrical endurance	min. 5000 cycles
Shock resistance	20 g / 20 ms duration
Fatigue limit	> 5 g (f ≤ 80 Hz, duration > 30 min.)
Operating position	Any
Max. operating altitude above MSL	2000 m
Housing type	Distributor housing
Mounting type	DIN rail
Housing material	Thermoplastic resin
Protection class	IP 20 (installed: IP 40)
Sealable	Yes
Module with	4
Screw-type terminal top and bottom (Load circuit)	
Protection against direct contact	according to EN 50274, finger- and back-hand-proof
Connection C1 max. number of conductors per terminal	2 (conductors of same type and cross-section)
Cross section solid	1-wire: 1.5 mm ² ... 50 mm ² 2-wire: 1.5 mm ² ... 16 mm ²
Cross section stranded	1-wire: 1.5 mm ² ... 50 mm ² 2-wire: 1.5 mm ² ... 16 mm ²
Connecting capacity flexible	1-wire: 1.5 mm ² ... 50 mm ² 2-wire: 1.5 mm ² ... 16 mm ²
Tightening torque	2.5 Nm ... 3 Nm

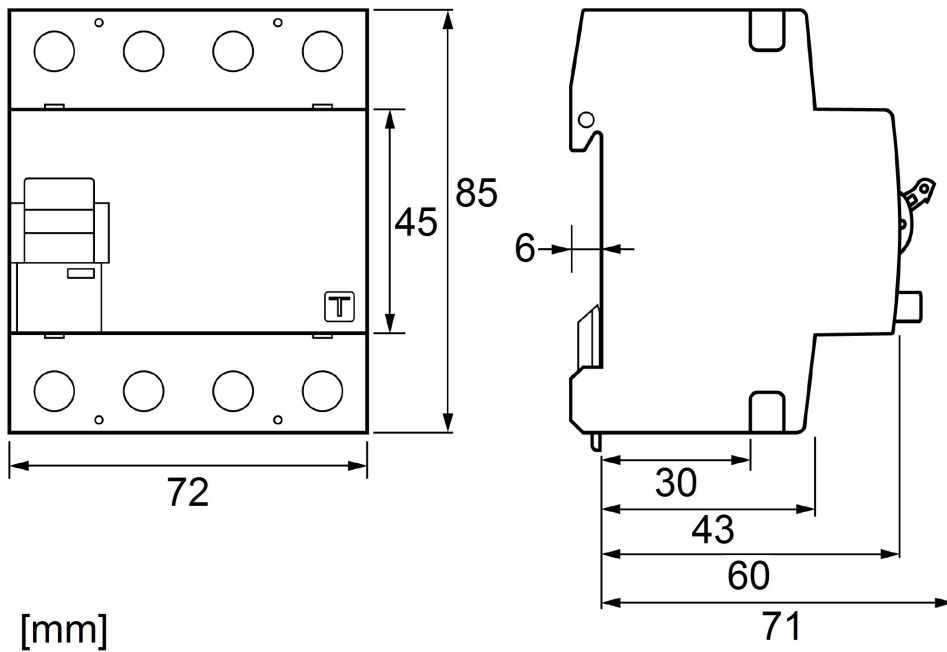
Tripping characteristic



Wiring diagram



Dimensions



Articles

Residual current circuit breaker BD series, 40A, 4-pole, 30mA, type EV

Description	Order no.
Residual current circuit breaker 40A, 4-pole, 30mA, type EV	BDEV4403--