

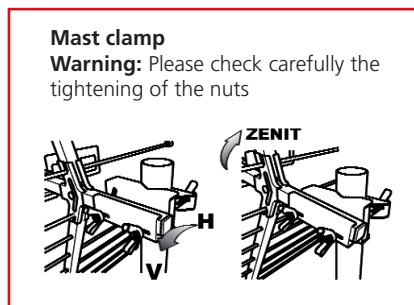
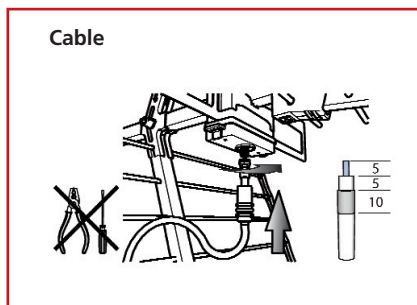
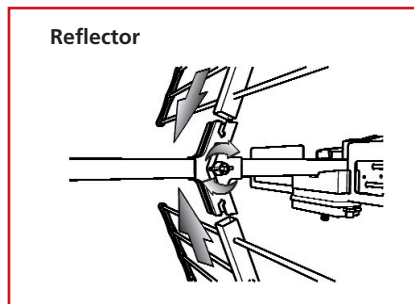
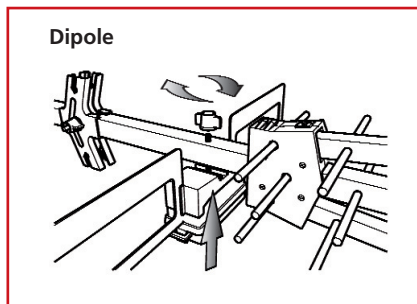
INSTRUCTION SHEET: HSATATT11A
DVB-T/UHF-BROADBAND ANTENNA, ANTIOXIDANT TREATMENT FOR
OUTDOOR INSTALLATION

Self-locking opening

Open the two side booms

Block the plastic engaging both upper and lower elements

WARNING:
 Mind that the internal central locking pin is properly framed into the central cradle hole !!!



Environmental Protection

Waste electrical products should not be disposed of with household waste. Please recycle where facilities exist. Check with your Local Authority or retailer for recycling advice.

DESCRIPTION	ORDER NO.
DVB-T/UHF-Broadband Antenna, antioxidant treatment for outdoor installation, F-female, mounting to masts with DM up to 55mm, Aluminium	HSATATT11A