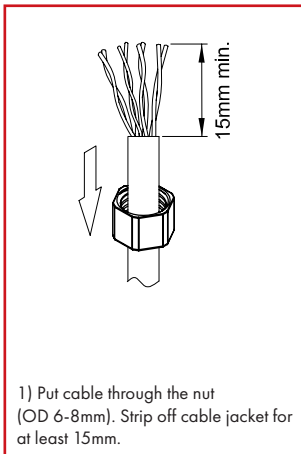
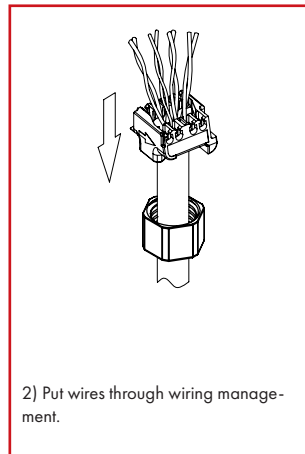


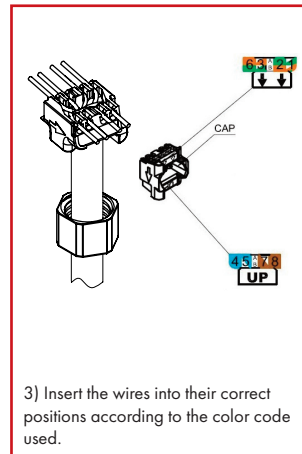
# INSTRUCTION SHEET: H5ISR6UI3A TOOLLESS LINE PLUG CAT.6<sub>A</sub> UTP



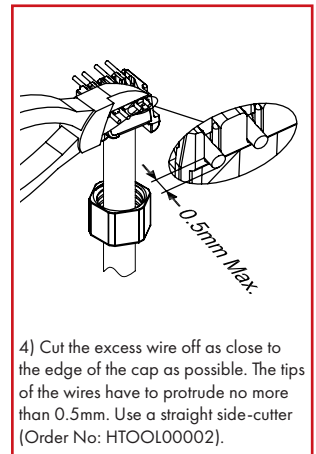
1) Put cable through the nut (OD 6-8mm). Strip off cable jacket for at least 15mm.



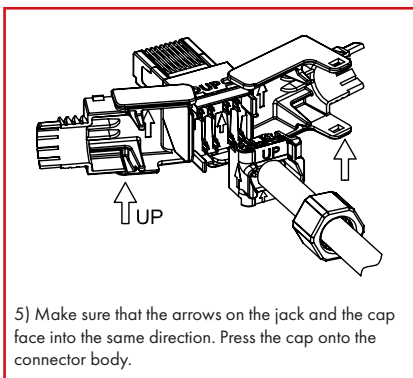
2) Put wires through wiring management.



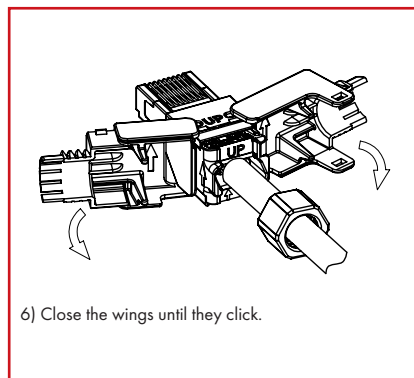
3) Insert the wires into their correct positions according to the color code used.



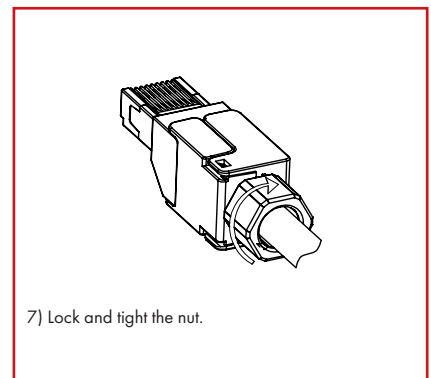
4) Cut the excess wire off as close to the edge of the cap as possible. The tips of the wires have to protrude no more than 0.5mm. Use a straight side-cutter (Order No: HTOOL00002).



5) Make sure that the arrows on the jack and the cap face into the same direction. Press the cap onto the connector body.

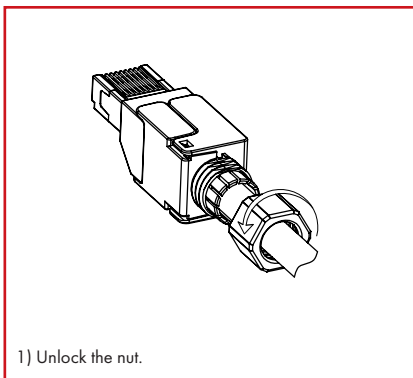


6) Close the wings until they click.

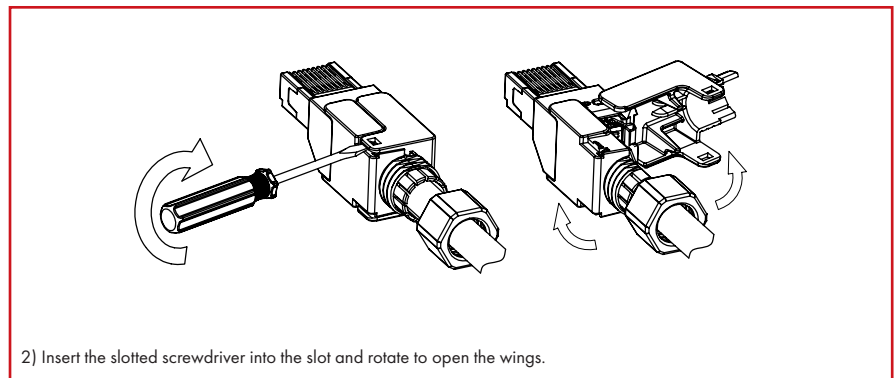


7) Lock and tight the nut.

## DISASSEMBLY INSTRUCTION:



1) Unlock the nut.



2) Insert the slotted screwdriver into the slot and rotate to open the wings.