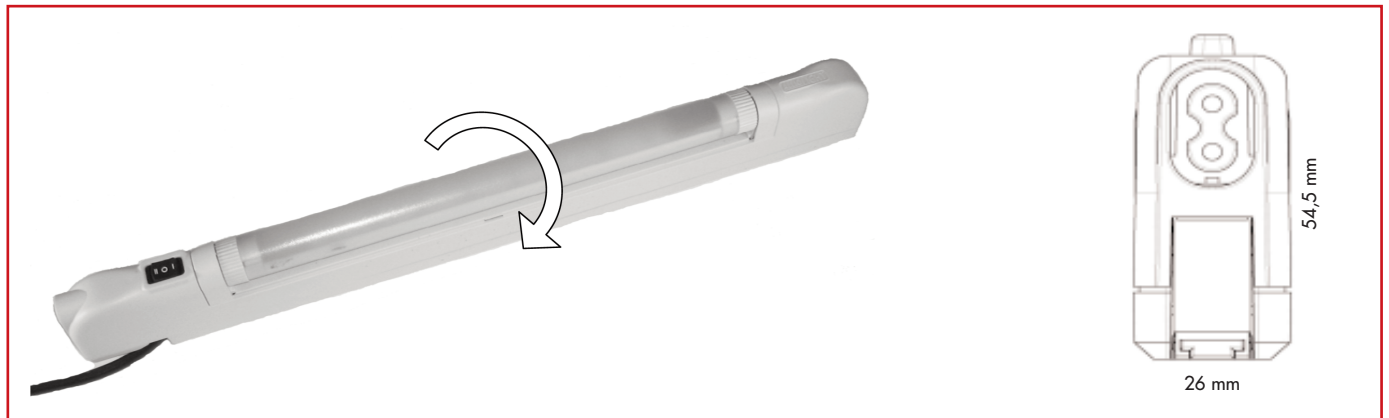


DATA SHEET: LED LIGHT UNIT, INSTALLATION ON 19"-RAILS, BY MAGNET OR SCREWING



SCHRACK-INFO

- Lighting for racks and industry
- Compact-lighting 26 mm wide
- Rotor with fastening units
- To fix with and always without tools
- Magnet is always used for fastening
- Effektive LED-lighting, rotating LED-unit, life cycle 50.000 h
- With fix mounted connection cable
- On metal, on profiles, into the 19"-rack
- Fastening by magnet, fastening by magnet and screw, fastening by magnet and snap in
- Screw on profiles have variable hole distance
- Power supply voltage: 230 V / 50-60 Hz
- With door switch connection (optional)

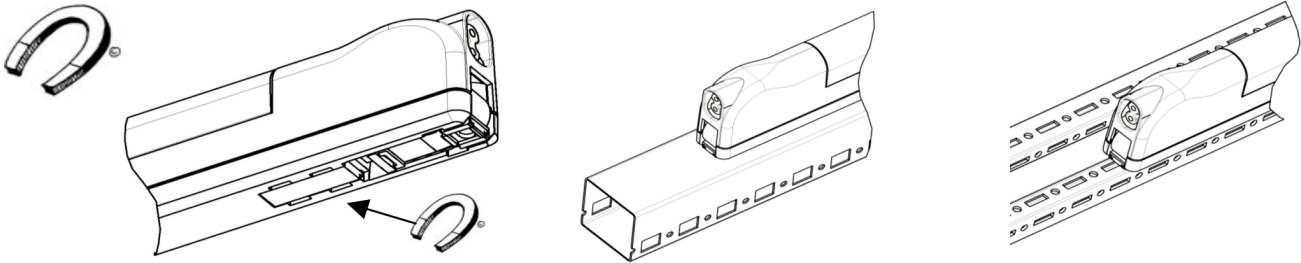
TECHNICAL DATA

| Electrical Parameter | |
|--------------------------|--|
| Lamp nominal wattage | 7,9 W |
| Rated voltage/frequency | 220-240V AC / 50-60 Hz |
| Rated current | 0,08 A |
| 110-240V AC | |
| Connector door switch | 2-pole mini-connector 2,5 A |
| Connection | 2x0,75 mm ² , 1,5 m wiring colour: black |
| Protection type / -class | |
| Protection type / -class | IP 20/II |
| Light bulb | |
| Typ | 18 SMD Power LEDs / 700lm |
| Life cycle | 50.000 h |
| Light colour | white |

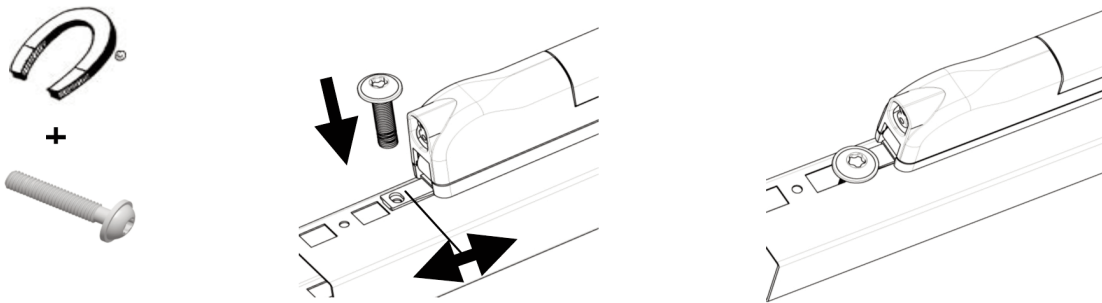
| Norms and certifications | |
|--------------------------|------------------|
| Labeling | CE |
| Testing standards | EN 60598 |
| Directives | 73/23/EWG |
| More Informations | |
| Operating device | - |
| length, height, wide | 448 x 54,5x26 mm |
| Weight | approx. 430 gr. |
| Working temperature | -30 to +60 C° |
| Store temperature | -20 to +60 C° |
| Humidity at work / | 30%/60% |
| Humidity at store | |

MOUNTING

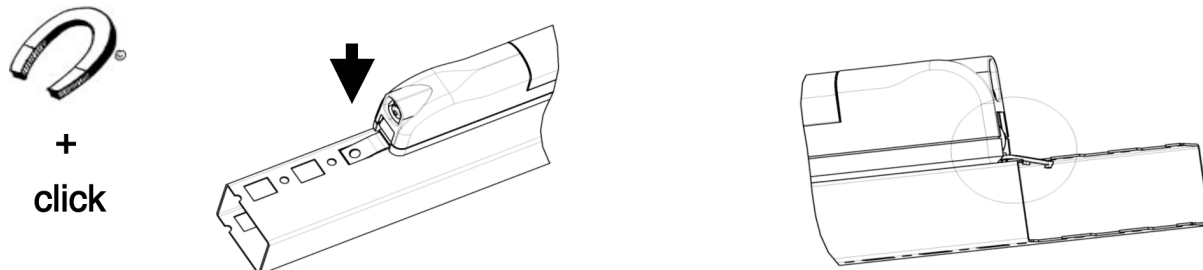
Fastening by Magnet (Demounting by moving out)



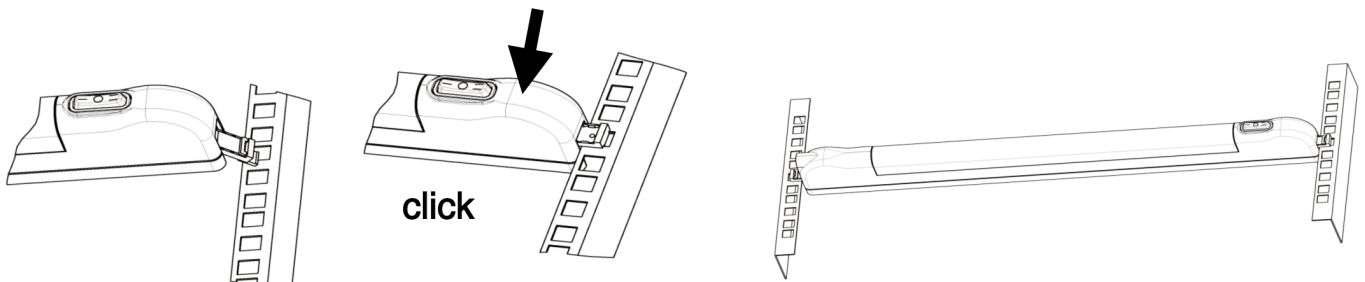
Magnet and screwing - hole centre distance from 455 to 475 mm



Magnet + snap into Profil



snap into 19" - Rack



| DESCRIPTION | ORDER NUMBER |
|--|--------------|
| LED light unit, installation on 19"-rails, by magnet or screwing | DV900336-A |
| Cable for door switch for light unit DV900336-A | DV900332 |
| Door switch | ASDSW010 |
| Adapter for mounting door switch ASDSW010 into DS-, DSZ- and DSS (IP30)-enclosures | DSADA001 |