

USER MANUAL LED LIGHTING UNIT FOR CABINET

LED Lighting Unit is a particular type of electrical light fixture designed for cabinet lighting. With LED lamps, it's light soft and comfortable yet bright, environmental friendly, energy effective, safe and reliable which is a good choice for cabinet lighting.

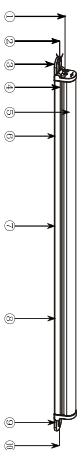
I. Application Range

LED Lighting Unit can be used in the cabinet of data center and server room. It provides adequate lighting when the users want to install, test and fix the electric equipments in the cabinet. It can be also used for normal lighting in other working conditions.

II. Function Features

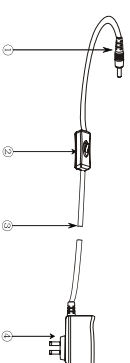
1. Using the LED light-emitting components of high quality and high brightness, matching with the advanced external constant current switching power adaptor, it is stable, energy efficient, and environmental friendly.
2. It is designed with kinds of installation methods, such as rack mounting, magnetic adsorption and hook installation. The power adaptor and LED lighting unit are connected through a long direct current plug cord with a thru-cord switch in middle position, easy to handle.
3. The power adaptor supports many different power input plug styles, can meet the requirements of different customers from all over the world.

III. Product Introduction



LED Lighting Unit:

- ① DC power input
- ② Bracket mounting hole (for M5 screw)
- ③ Folding bracket
- ④ Aluminium housing
- ⑤ Milky lamp cover
- ⑥ Built-in magnetic sucker

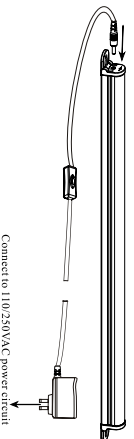


Constant current switching power adaptor:

- ① DC power output plug
- ② Thru-cord switch
- ③ DC power cable
- ④ Power adaptor

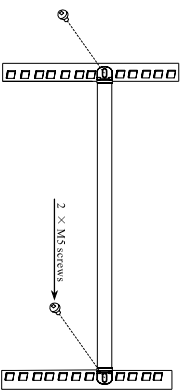
IV. Installation Method

1. Connection between power adaptor and LED lighting unit



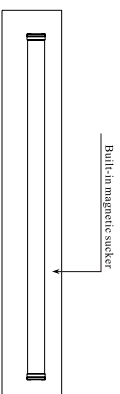
2. Rack mounting of LED lighting unit

It can be horizontally installed with M5 screws and nuts on any proper position of the cabinet, according to the practical needs.



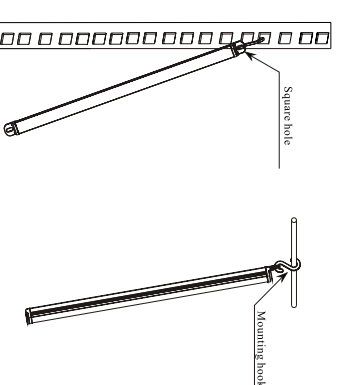
3. Magnetic adsorption of LED lighting unit

LED lighting unit can be adsorbed upon the proper position of cabinet.



4. Hook installation of LED lighting unit

There is a specially designed mounting hook. Please hang one end into the square hole of cabinet, and the other end into the bracket of LED lighting unit.



V. Technical Parameters

Item	Technical parameter
Rated current	350mA DC
Rated power	4W
Luminance	315LM
LED beads	51
Light-emitting angle	120 degree
LED Lighting Unit	30000H
Product life	6000-6500K
Color temperature	6000-6500K
Housing color	Silver
Cover color	Milky
Dimension	L×W×H=482.6×23.4×24.5mm
Rated input voltage	110~240VAC 50/60Hz
Rated output voltage	12V DC
Constant current	350mA DC
Constant current switching power adaptor	φ3.5mm DC
Power output	3 M
Power cable length	3 M
On/off Switch	Thru-cord switch
Environment	Working condition 0℃~55℃, 10~90%
	Storage condition -20℃~+70℃, 10~90%
Fitting	Mounting hook 1