

DATA SHEET:
TOOLLESS LINE HDMI Coupler White, HDMI A female - HDMI A female



SCHRACK-INFO

ELECTRICAL PROPERTIES

- Connector resistance: 30mΩ max.
- Electrical insulation resistance: 100MΩ at least @ 500VDC
- Rated current and nominal voltage: 0.5A and 40V
- Puncture resistance: 500VAC / 1 minute
- Insulation resistance:
 - Unmated: 100MΩ min. @ 500VDC
 - Mated: 10MΩ min. @ 150VDC

MECHANICAL PROPERTIES

- Plug-in cycles: 5000
- Insertion force: 44.1N max.
- Min. Extraction force: 5.9N / 39.2N max.
- Contact force: 5,9 N / pin min.
- Color: white

TECHNICAL SPECIFICATIONS

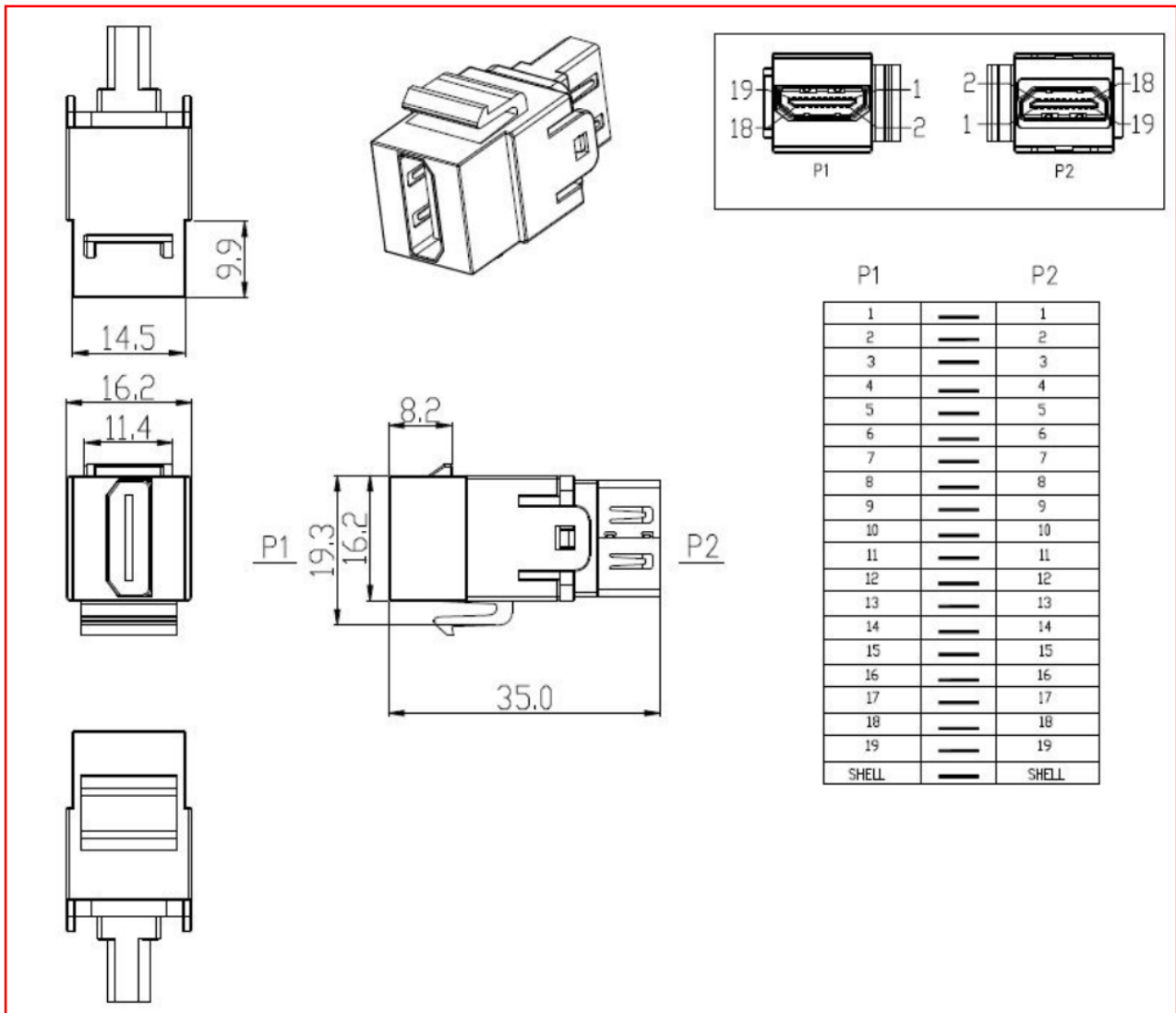
- HDMI 19P FEMALE
- Housing: ABS 94V0
- PCB: FR-4 tinned (leadless)
- Contact carrier: Thermoplast, black
- Pins: copper alloy, nickel-plated and gold-plated
- Connector: brass, gold plated
- Operating temperature: -20 ° C ... + 65 ° C

PACKAGING INFORMATION

- Weight: 0,011 kg
- Single piece in polypack
- 10 pieces in multipack

DIMENSIONS

- 35,0 x 16,2 x 19,3mm



DESCRIPTION	ORDER NO.
TOOLLESS LINE HDMI Coupler White, HDMI A female - HDMI A female	HSEMRHDMWS