

DATA SHEET:  
TOOLLESS LINE USB 3.0 A-A Coupler White



SCHRACK-INFO  
ELECTRICAL PROPERTIES

- Resistance of the connector: 30M $\Omega$  max.
- Electrical insulation resistance: 100M $\Omega$  at least @ 500VDC
- Rated current and voltage: 1.5A at 100VAC min.
- Breakdown resistance: 100VAC (rms) for 1 minute (Ref 3.0)

MECHANICAL PROPERTIES

- Plug-in cycles: 1500
- Max. Insertion force: 35N
- Min. Withdrawal force: 10N
- Color: white

TECHNICAL SPECIFICATIONS

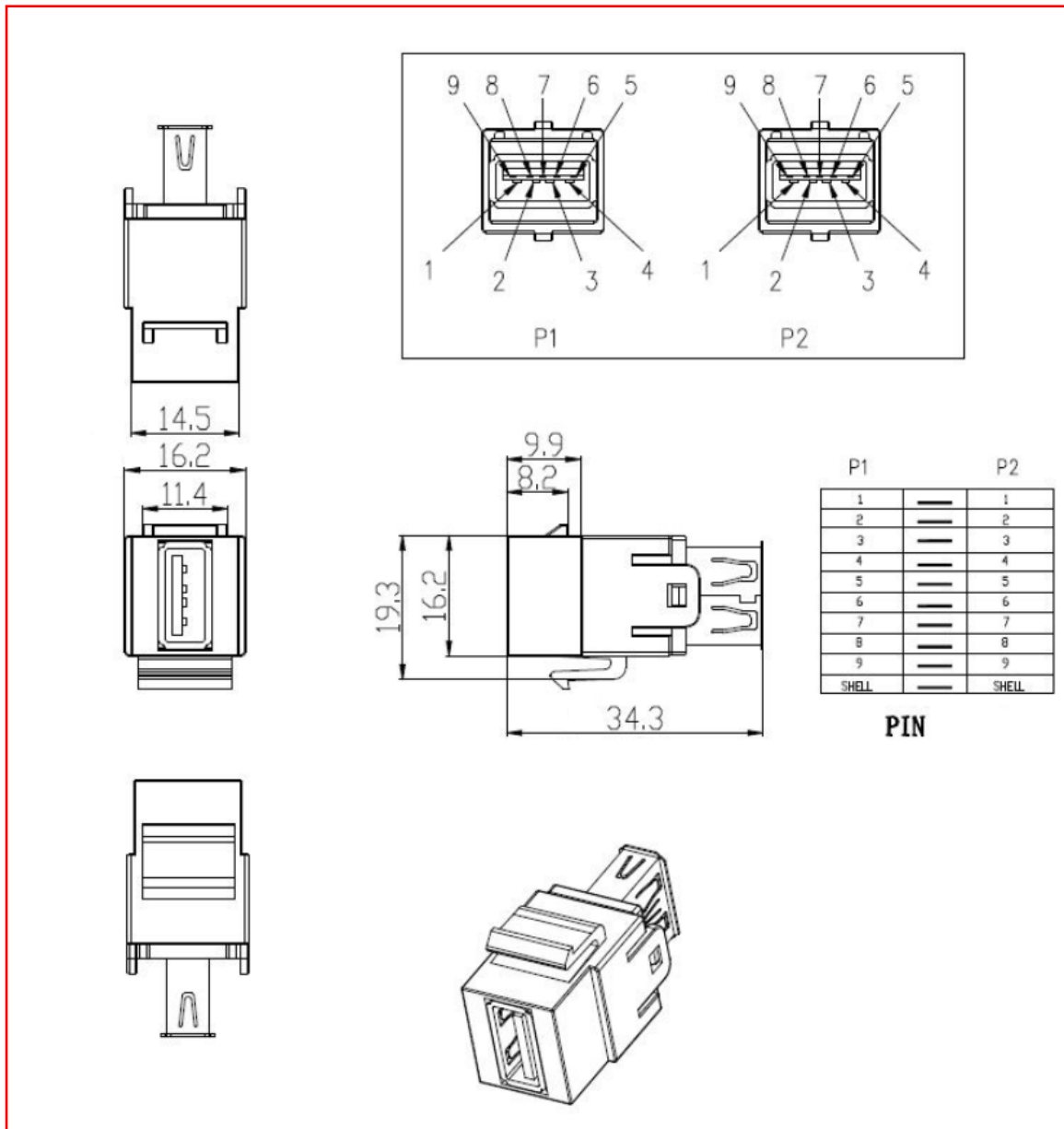
- Housing: ABS 94V0
- PCB: FR4 tinned (leadless)
- Contact carrier: Thermoplast, blue
- Pins: phosphor bronze nickel plated and gold plated

## PACKAGING INFORMATION

- Single piece in polypack
- Weight: 0,01kg

## DIMENSIONS

- 34,3 x 16,2 x 19,3mm



DESCRIPTION	ORDER NO.
TOOLLESS LINE USB 3.0 A-A Coupler White	HSEMRU3AWS