

■ DATASHEET: SPLICEBOX WALLMOUNT



HDFO900LCT



HDFO900LCT



HDFO900LCT

■ SCHRACK INFO:

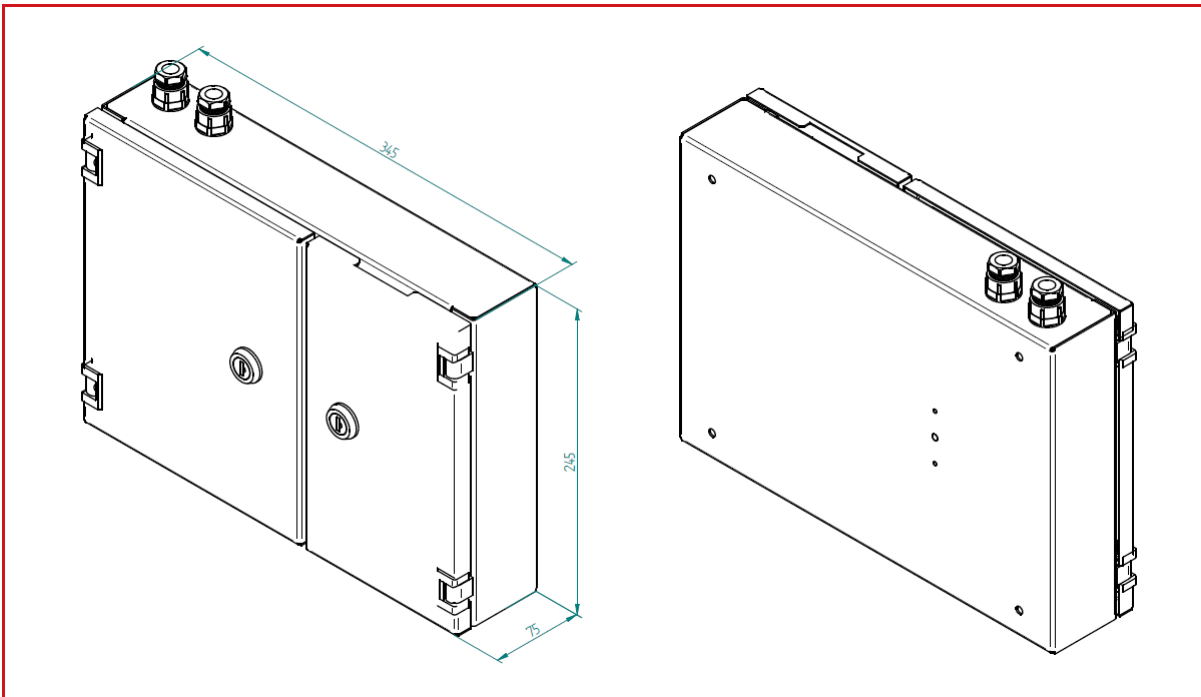
This steel wall-mounted fibre optic box with 2 divided sections (each has its own lock with unique key) is intended for termination and leading of fibres in data and telecommunication devices.

The larger section is designed for incoming and outgoing cables and inside there is a holder for splice cassette for welding of fibres. The cables are coming into this section via the chassis and are tightened in bushings. The smaller section is designed for fibres connecting using patch-cords and adapters. The adapters are installed on the middle dividing panel.

Because the type of connectors is usually not known in advance, the part of the box are 3 panels for the most using connectors (24xST, 24xSC and 16xSC-Duplex). Both sections are sealed against dust by PUR sealing around the door and the special construction of the frame. The smaller section can be used as through-way part (the connecting cables lead out through the slot under the door and lead to the next device) or as completely closed and then as dust-proof as well. This depends on the used inserted modules, material for the both versions is part of the packing.

Technical Data

Dimensions: 345 x 245 x 75 mm
Weight: 3,6 kg



DESCRIPTION	ORDER NO.
FO Splicebox Wallmount Empty, 48xLC or 32xSC or 24xST/FC, IP40, RAL7035	HDFO900LCT