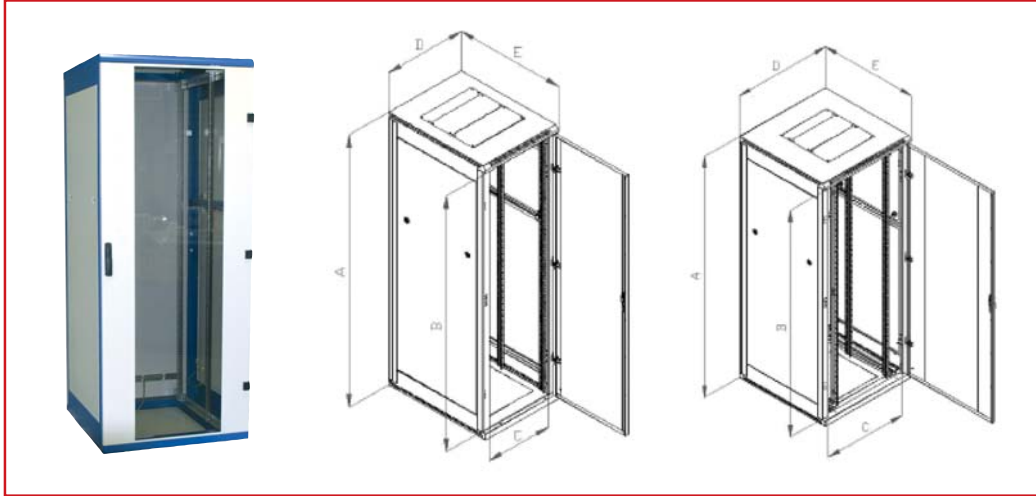


## DATA SHEET: FREE-STANDING DATA ENCLOSURES DS



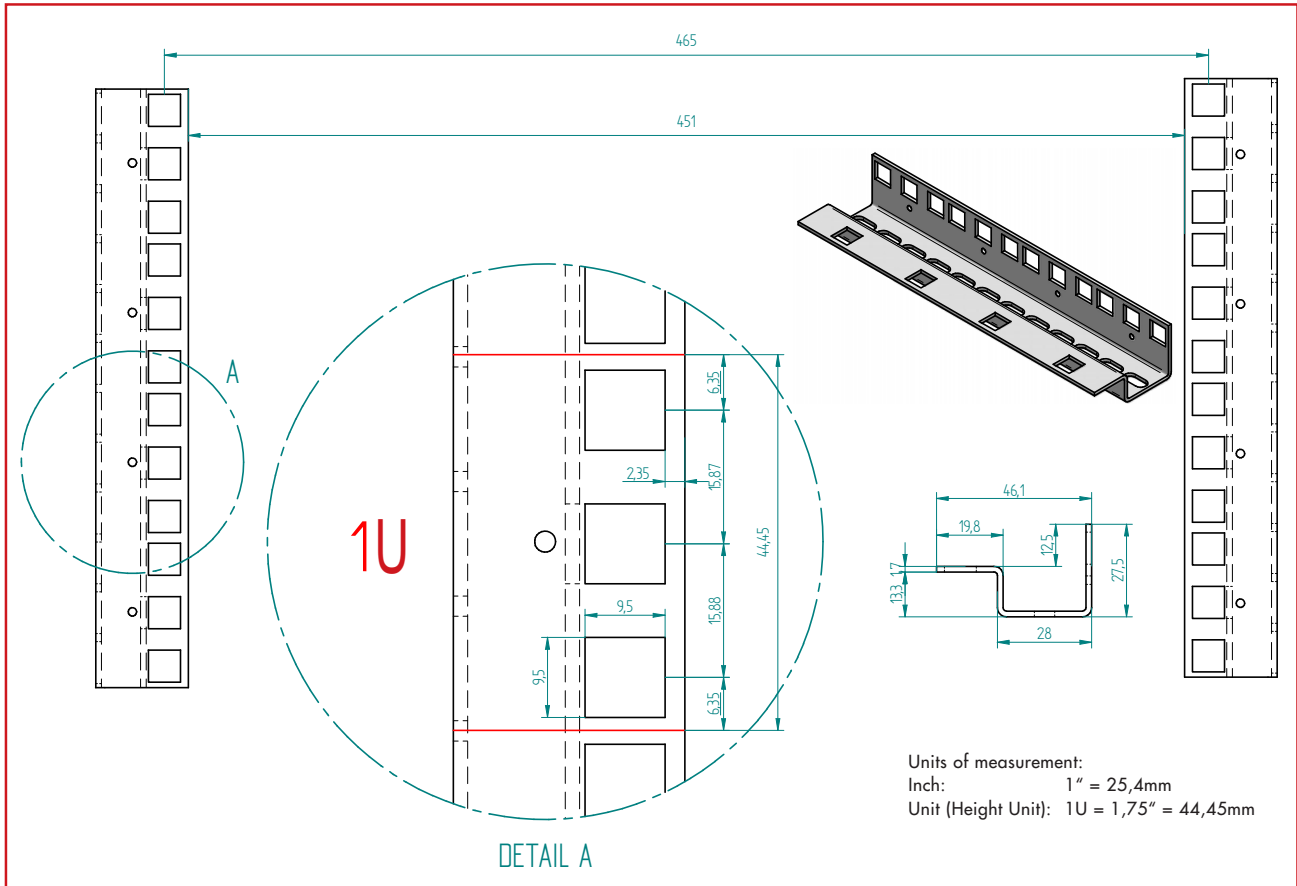
### TECHNICAL DATA

- Welded powder-coated sheet steel skeleton
- Heights: 15, 18, 22, 27, 32, 37, 42, 45 and 47 U
- Widths: 600 and 800 mm
- Depths: 400, 600, 800, 900, 1000 and 1200 mm
- Colour:  
Light Grey RAL 7035  
Frame Blue RAL 5005
- Maximum load:  
15 – 22 U: 300 kg  
27 – 47 U: 400 kg
- Degree of protection: IP 30
- 4 mm thick glass safety doors with handsome swing handle. Prepared for half-cylinder type locks.  
Halfcylinder lock (Order-number: DV900333) optional available.
- Doors hinged right. Can be changed to hinging on left
- Glass doors can be replaced by optional DSRT doors (full metal or perforated, full width or double-wing).
- Removeable and lockable side-panels. Key included. For better passive cooling, side-panels can be replaced by optional perforated side-panels DSRS.
- Removeable and lockable rear-panel. Key included. Rear panel can be replaced by optional DSRT doors (glass, full or perforated metal, full width or double-wing) or by perforated rear-panel DSRR.
- 19" rails (4 pcs.) galvanised, continuously depthadjustable
- In 800mm wide DS enclosures, you can choose to adjust the 19" rails to a width of 21".
- In 900, 1.000 and 1.200 mm deep DS enclosures, there is an additional pair of vertical rails installed in half depth. This makes installation of high depth accessories together with standard accessories possible at the same time.
- Space between front vertical 19"-rail and door glass at max. spacing:  
W600 – 35 mm  
W800 – 50 mm
- Space between rear vertical 19"-rail and rear panel at max. spacing:  
W600 – 35 mm  
W800 – 55 mm

## ■ TECHNICAL DATA – continued

- Maximum distance between vertical rails (19"-rails) in free-standing cabinets:
  - W600 x D400 – 310 mm
  - W600 x D600 – 510 mm
  - W600 x D800 – 710 mm
  - W600 x D900 – 810 mm
  - W600 x D1000 – 910 mm
  - W600 x D1200 – 1110 mm
  
- W800 x D600 – 470 mm
- W800 x D800 – 670 mm
- W800 x D900 – 770 mm
- W800 x D1000 – 870 mm
- W800 x D1200 – 1070 mm
- Maximum usable depth in free-standing cabinets when installed e.g. on shelves:
  - D400 – 375 mm
  - D600 – 575 mm
  - D800 – 775 mm
  - D900 – 875 mm
  - D1000 – 975 mm
  - D1200 – 1175 mm
- Spacing between vertical 19"-rails: 451 mm
- Roof construction with opening, 19" punched. Flexible covered by removable plates of different heights to allow installation of fan-units and cable-entry panels. Remaining opening can be closed by use of one these plates.
  - D400 - Opening: 6 U, Covering: 1 x 4 U and 1 x 2 U
  - D600 - Opening: 8 U, Covering: 1 x 4 U and 2 x 2 U
  - D800 - Opening: 10 U, Covering: 2 x 4 U and 1 x 2 U
  - D900 - Opening: 12 U, Covering: 2 x 4 U and 2 x 2 U
  - D1000 - Opening: 12 U, Covering: 2 x 4 U and 2 x 2 U
  - D1200 - Opening: 12 U, Covering: 2 x 4 U and 2 x 2 U
- Floor construction with opening, 19" punched. Covered by removable plate in full height.
  - D400 - Opening: 6 U, Covering: 1 x 6 U
  - D600 - Opening: 8 U, Covering: 1 x 8 U
  - D800 - Opening: 10 U, Covering: 1 x 10 U
  - D900 - Opening: 12 U, Covering: 1 x 12 U
  - D1000 - Opening: 12 U, Covering: 1 x 12 U
  - D1200 - Opening: 12 U, Covering: 1 x 12 U
- Roof unit assemblies can also be fitted to floor section. Optional base required.
- Cable entry possible via roof, floor and rear panel. Delivered with demountable or break-out blanking plates.
- Brush strip panel for roof (DBK24800) optional.
- Air vents for passive ventilation
- Earthing:
  - M8-Earthing point plus 19"-Earthingset in the rear of the cabinet
  - FastOn-Earthing-connections to all dismountable parts pre-installed
- Included assembly materials:
  - 16 x Cage nuts, bolts and washers M6
  - 4 x Levelling feet
- Wide range of available accessories (bases, fan-units, cable entry panels, fixed shelves, patch panels, cable management, PDUs, doors, etc.).
- Enclosure is delivered fully-assembled on a disposable pallet.

**DRAWINGS OF THE VERTICALS 19"-PROFILE-RAILS**



**ORDERING INFORMATION**

| TYPE   | W x H x D (mm)   | WEIGHT (kg) | ORDER NUMBER |
|--|------------------|-------------|--------------|
| <b>FREESTANDING DATA-ENCLOSURE 600 x 400</b> |                  |             |              |
| 42U Freestanding Data-Enclosure              | 600 x 1970 x 400 | 63          | DS426040-A   |
| <b>FREESTANDING DATA-ENCLOSURE 600 x 600</b> |                  |             |              |
| 15U Freestanding Data-Enclosure              | 600 x 770 x 600  | 35          | DS156060-A   |
| 18U Freestanding Data-Enclosure              | 600 x 900 x 600  | 39          | DS186060-A   |
| 22U Freestanding Data-Enclosure              | 600 x 1080 x 600 | 44          | DS226060-A   |
| 27U Freestanding Data-Enclosure              | 600 x 1300 x 600 | 50          | DS276060-A   |
| 32U Freestanding Data-Enclosure              | 600 x 1525 x 600 | 57          | DS326060-A   |
| 37U Freestanding Data-Enclosure              | 600 x 1750 x 600 | 63          | DS376060-A   |
| 42U Freestanding Data-Enclosure              | 600 x 1970 x 600 | 70          | DS426060-A   |
| 45U Freestanding Data-Enclosure              | 600 x 2105 x 600 | 74          | DS456060-A   |
| 47U Freestanding Data-Enclosure              | 600 x 2195 x 600 | 77          | DS476060-A   |

**ORDERING INFORMATION – continued**

| TYPE  | W x H x D (mm)    | WEIGHT (kg) | ORDER NUMBER |
|---|-------------------|-------------|--------------|
| <b>FREESTANDING DATA-ENCLOSURE 600 x 800</b>  |                   |             |              |
| 15U Freestanding Data-Enclosure               | 600 x 770 x 800   | 40          | DS156080-A   |
| 18U Freestanding Data-Enclosure               | 600 x 900 x 800   | 44          | DS186080-A   |
| 22U Freestanding Data-Enclosure               | 600 x 1080 x 800  | 50          | DS226080-A   |
| 27U Freestanding Data-Enclosure               | 600 x 1300 x 800  | 57          | DS276080-A   |
| 32U Freestanding Data-Enclosure               | 600 x 1525 x 800  | 65          | DS326080-A   |
| 37U Freestanding Data-Enclosure               | 600 x 1750 x 800  | 72          | DS376080-A   |
| 42U Freestanding Data-Enclosure               | 600 x 1970 x 800  | 79          | DS426080-A   |
| 45U Freestanding Data-Enclosure               | 600 x 2105 x 800  | 83          | DS456080-A   |
| <b>FREESTANDING DATA-ENCLOSURE 600 x 900</b>  |                   |             |              |
| 42U Freestanding Data-Enclosure               | 600 x 1970 x 900  | 87          | DS426090-A   |
| <b>FREESTANDING DATA-ENCLOSURE 600 x 1000</b> |                   |             |              |
| 42U Freestanding Data-Enclosure               | 600 x 1970 x 1000 | 91          | DS426010-A   |
| 45U Freestanding Data-Enclosure               | 600 x 2105 x 1000 | 101         | DS456010-A   |
| <b>FREESTANDING DATA-ENCLOSURE 800 x 600</b>  |                   |             |              |
| 22U Freestanding Data-Enclosure               | 800 x 1080 x 600  | 55          | DS228060-A   |
| 27U Freestanding Data-Enclosure               | 800 x 1300 x 600  | 63          | DS278060-A   |
| 32U Freestanding Data-Enclosure               | 800 x 1525 x 600  | 70          | DS328060-A   |
| 37U Freestanding Data-Enclosure               | 800 x 1750 x 600  | 77          | DS378060-A   |
| 42U Freestanding Data-Enclosure               | 800 x 1970 x 600  | 84          | DS428060-A   |
| 45U Freestanding Data-Enclosure               | 800 x 2105 x 600  | 89          | DS458060-A   |
| <b>FREESTANDING DATA-ENCLOSURE 800 x 800</b>  |                   |             |              |
| 18U Freestanding Data-Enclosure               | 800 x 900 x 800   | 54          | DS188080-A   |
| 22U Freestanding Data-Enclosure               | 800 x 1080 x 800  | 63          | DS228080-A   |
| 27U Freestanding Data-Enclosure               | 800 x 1300 x 800  | 71          | DS278080-A   |
| 32U Freestanding Data-Enclosure               | 800 x 1525 x 800  | 79          | DS328080-A   |
| 37U Freestanding Data-Enclosure               | 800 x 1750 x 800  | 87          | DS378080-A   |
| 42U Freestanding Data-Enclosure               | 800 x 1970 x 800  | 95          | DS428080-A   |
| 45U Freestanding Data-Enclosure               | 800 x 2105 x 800  | 100         | DS458080-A   |
| 47U Freestanding Data-Enclosure               | 800 x 2195 x 800  | 103         | DS478080-A   |
| <b>FREESTANDING DATA-ENCLOSURE 800 x 900</b>  |                   |             |              |
| 42U Freestanding Data-Enclosure               | 800 x 1970 x 900  | 104         | DS428090-A   |
| <b>FREESTANDING DATA-ENCLOSURE 800 x 1000</b> |                   |             |              |
| 42U Freestanding Data-Enclosure               | 800 x 1970 x 1000 | 109         | DS428010-A   |
| 45U Freestanding Data-Enclosure               | 800 x 2105 x 1000 | 115         | DS458010-A   |
| 47U Freestanding Data-Enclosure               | 800 x 2195 x 1000 | 119         | DS478010-A   |
| <b>FREESTANDING DATA-ENCLOSURE 800 x 1200</b> |                   |             |              |
| 42U Freestanding Data-Enclosure               | 800 x 1970 x 1200 | 122         | DS428020-A   |

## ACCESSORIES

| DESCRIPTION   | ORDER NUMBER |
|---|--------------|
| <b>FAN-UNITS</b>  |              |
| Roof-fan-unit, equipped with 6 fans and thermostat, RAL7035, 8U         | DLT44806-A   |
| Roof-fan-unit, equipped with 3 fans and thermostat, RAL7035, 4U         | DLT44803-A   |
| Roof-fan-unit, equipped with 2 fans and thermostat, RAL7035, 4U         | DLT44802-A   |
| Roof-fan-unit, equipped with 1 fan and thermostat, RAL7035, 4U          | DLT44801-A   |
| <b>CABLE-ENTRY-PANEL</b>  |              |
| Roof-cable-entry panel with brush, RAL7035, 2U                          | DBK24800     |
| <b>BASES</b>  |              |
| Base, pair of side-profiles, RAL7035, D=1.200mm                         | DSOT1220     |
| Base, pair of side-profiles, RAL7035, D=1.000mm                         | DSOT1210     |
| Base, pair of side-profiles, RAL7035, D=800mm                           | DSOT1280     |
| Base, pair of side-profiles, RAL7035, D=600mm                           | DSOT1260     |
| Base, pair of side-profiles, RAL7035, D=400mm                           | DSOT1240     |
| Base, front-/ rear-panel, RAL7035, W=800mm, Blanking                    | DSOF1280     |
| Base, front-/ rear-panel, RAL7035, W=800mm, Perforated                  | DSOF1281     |
| Base, front-/ rear-panel, RAL7035, W=800mm, Cable-entry                 | DSOF1282     |
| Base, front-/ rear-panel, RAL7035, W=800mm, Perforated with dust-filter | DSOF1283     |
| Base, front-/ rear-panel, RAL7035, W=600mm, Blanking                    | DSOF1260     |
| Base, front-/ rear-panel, RAL7035, W=600mm, Perforated                  | DSOF1261     |
| Base, front-/ rear-panel, RAL7035, W=600mm, Cable-entry                 | DSOF1262     |
| Base, front-/ rear-panel, RAL7035, W=600mm, Perforated with dust-filter | DSOF1263     |
| <b>CASTORS</b>  |              |
| Castors for DS-enclosures, 4 castors (2 braked), max 750 kg load        | DSR00005-A   |
| <b>DOORS (REPLACEMENT OF STANDARD FRONT-GLAS-DOOR OR REAR-PANEL)</b>    |              |
| Door 42U, W=800mm, RAL7035, Metal perforated                            | DSRT4281     |
| Door 42U, W=800mm, RAL7035, Solid Metal                                 | DSRT4282     |
| Door 42U, W=800mm, RAL7035, Glas  | DSRT4283     |
| Double-wing-door 42U, W=800mm, RAL7035, Metall perforated               | DSRT4285     |
| Double-wing-door 42U, W=800mm, RAL7035, Solid-Metal                     | DSRT4286     |
| Double-wing-door 42U, W=800mm, RAL7035, Glas                            | DSRT4287     |
| Door 42U, W=600mm, RAL7035, Metal perforated                            | DSRT4261     |
| Door 42U, W=600mm, RAL7035, Solid Metal                                 | DSRT4262     |
| Door 42U, W=600mm, RAL7035, Glas  | DSRT4263     |
| Double-wing-door 42U, W=600mm, RAL7035, Metall perforated               | DSRT4265     |
| Double-wing-door 42U, W=600mm, RAL7035, Solid-Metal                     | DSRT4266     |
| Double-wing-door 42U, W=600mm, RAL7035, Glas                            | DSRT4267     |

**ACCESSORIES – continued**

| DESCRIPTION  | ORDER NUMBER |
|--|--------------|
| <b>DOORS (REPLACEMENT OF STANDARD FRONT-GLAS-DOOR OR REAR-PANEL)</b> |              |
| Door 45U, W=800mm, RAL7035, Metal perforated                         | DSRT4581     |
| Door 45U, W=800mm, RAL7035, Solid Metal                              | DSRT4582     |
| Door 45U, W=800mm, RAL7035, Glas                                     | DSRT4583     |
| Double-wing-door 45U, W=800mm, RAL7035, Metall perforated            | DSRT4585     |
| Double-wing-door 45U, W=800mm, RAL7035, Solid-Metal                  | DSRT4586     |
| Double-wing-door 45U, W=800mm, RAL7035, Glas                         | DSRT4587     |
|  |              |
| Door 45U, W=600mm, RAL7035, Metal perforated                         | DSRT4561     |
| Door 45U, W=600mm, RAL7035, Solid Metal                              | DSRT4562     |
| Door 45U, W=600mm, RAL7035, Glas                                     | DSRT4563     |
| Double-wing-door 45U, W=600mm, RAL7035, Metall perforated            | DSRT4565     |
| Double-wing-door 45U, W=600mm, RAL7035, Solid-Metal                  | DSRT4566     |
| Double-wing-door 45U, W=600mm, RAL7035, Glas                         | DSRT4567     |
| <b>PERFORATED PANELS (REPLACEMENT OF STANDARD FULL-METAL-PANELS)</b> |              |
| Rear-panel perforated for DS-enclosure 42U, W=600mm, RAL7035         | DSRR4261     |
| Rear-panel perforated for DS-enclosure 42U, W=800mm, RAL7035         | DSRR4281     |
| Rear-panel perforated for DS-enclosure 45U, W=600mm, RAL7035         | DSRR4561     |
| Rear-panel perforated for DS-enclosure 45U, W=800mm, RAL7035         | DSRR4581     |
|  |              |
| Side-panel perforated for DS-enclosure 42U, D=600mm, RAL7035         | DSRS4261     |
| Side-panel perforated for DS-enclosure 42U, D=800mm, RAL7035         | DSRS4281     |
| Side-panel perforated for DS-enclosure 42U, D=1.000mm, RAL7035       | DSRS4211     |
| Side-panel perforated for DS-enclosure 45U, D=600mm, RAL7035         | DSRS4561     |
| Side-panel perforated for DS-enclosure 45U, D=800mm, RAL7035         | DSRS4581     |
| Side-panel perforated for DS-enclosure 45U, D=1.000mm, RAL7035       | DSRS4511     |
| <b>SWING-FRAME</b>   |              |
| Swing-Frame 19", 37U for DS-enclosure 42U, Width=800mm (DS4280xx-A)  | HDSSON0024   |
| <b>SHELVES</b>   |              |
| Fixed shelf 150mm, RAL7035, 1U, Load up to 15kg                      | DFS14815-C   |
| Fixed shelf 250mm, RAL7035, 1U, Load up to 15kg                      | DFS14825-C   |
| Fixed shelf 350mm, RAL7035, 1U, Load up to 50kg                      | DFS14835-C   |
| Fixed shelf 450mm, RAL7035, 1U, Load up to 80kg                      | DFS14845-C   |
| Fixed shelf 650mm, RAL7035, 1U, Load up to 80kg                      | DFS14865-C   |
| Fixed shelf 750mm, RAL7035, 1U, Load up to 80kg                      | DFS14875-C   |
|  |              |
| Fixed shelf 450mm, RAL7035, 1U, Heavy Duty. Load up to 150kg         | DFSS4845-A   |
| Fixed shelf 550mm, RAL7035, 1U, Heavy Duty. Load up to 150kg         | DFSS4855-A   |
| Fixed shelf 650mm, RAL7035, 1U, Heavy Duty. Load up to 150kg         | DFSS4865-A   |
| Fixed shelf 750mm, RAL7035, 1U, Heavy Duty. Load up to 150kg         | DFSS4875-A   |

**ACCESSORIES – continued**

| DESCRIPTION  | ORDER NUMBER |
|--|--------------|
| <b>SHELVES</b>   |              |
| Sliding shelf, D=350mm, RAL7035, 1U, Load up to 20kg   | DFA14835     |
| Sliding shelf, D=450mm, RAL7035, 1U, Load up to 20kg   | DFA14845     |
| Sliding shelf, D=550mm, RAL7035, 1U, Load up to 20kg   | DFA14855     |
| Sliding shelf, D=650mm, RAL7035, 1U, Load up to 20kg   | DFA14865     |
| Sliding shelf for keyboard and mouse, D=372mm, RAL7035, 2U, lockable                         | DFK24837     |
| <b>POWER DISTRIBUTION UNITS</b>  |              |
| 19" Power Distribution Unit, 7x Schuko (German-style version), Overvoltage protection, 1.25U | IU070113     |
| 19" Power Distribution Unit, 9x Schuko (German-style version), 1U                            | IU070114     |
| 19" Power Distribution Unit, 8x Schuko (German-style version), 1.25U                         | IU070109     |
| 19" Power Distribution Unit, 7x Schuko (German-style version) + On-/Off-Switch, 1.25U        | IU070107-B   |
| 19" Power Distribution Unit, 6x Schuko (German-style version) with RCBO BO217516, 1U         | IU070112     |
| 19" Power Distribution Unit, 8x UTE (French-style version), 1.25U                            | IU070110     |
| 19" Power Distribution Unit, 6x UTE (French-style version), Overvoltage protection, 1.5U     | IU070121     |
| <b>CABLE GUIDING</b>   |              |
| 19" Cable-guide panel, 5 plastic rings, 1U, RAL7035  | DBK14805     |
| 19" Cable-guide panel, 5 metal rings, 1U, RAL7035  | DBC14805     |
| 19" Cable-guide panel with plastic cable-trunk, 1U, RAL7035                                  | HDBS148051   |
| 19" Cable-guide panel with plastic cable-trunk, 2U, RAL7035                                  | HDBS148053   |
| 19" Cable-guide panel for fixing of installation cable, 1HU, RAL7035                         | DBO14200     |
| 19" Cable-management panel 170x150mm for installation to 19" verticals                       | DBO14201     |
| Cable-Organiser for vertical cable management. Fixed to 19"-rail, 80x80mm                    | DBKO8080     |
| Cable-guide vertical for 800mm wide DS enclosure 42U   | DSKV4280     |
| Cable-guide vertical for 800mm wide DS enclosure 45U   | DSKV4580     |
| <b>LIGHT</b>   |              |
| 19" Light unit for 19"-installation, with magnet   | DV900330-A   |
| Door-position switch (optional)  | ASDSW010     |
| Adapter for installation of door-switch to a DS-enclosure                                    | DSADA001     |
| Cable for connection of door-switch to light-unit DV900330-A                                 | DV900332     |
| <b>DIN-RAIL PANEL</b>  |              |
| 19" DIN-rail panel 3U  | DAB34810     |
| <b>POUCH</b>   |              |
| Pouch for circuit diagrams, self adhesive, A4  | ASDRA400     |
| <b>HALFCYLINDERLOCK</b>  |              |
| Halfcylinderlock including 1 key No. 933   | DV900333     |
| Key 333 for halfcylinderlock DV900333  | DV900334     |
| <b>CONNECTION-KIT</b>  |              |
| Connection-Kit for DS-Enclosures   | DSRA0002     |
| <b>INSTALLATION-SET</b>  |              |
| 19" Installation-set: 50 pcs. of M6 cagenuts, screws and washers                             | DSSRA050     |