

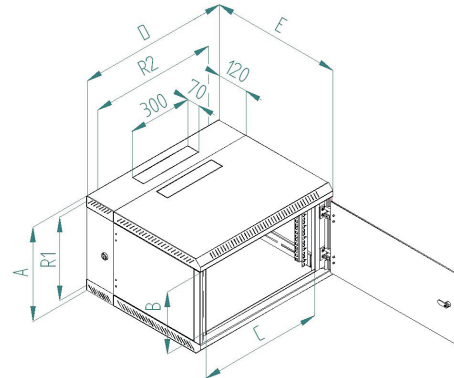
■ DATASHEET: 19" WALLMOUNTING ENCLOSURE DW DUALBLOC, DEPTH 515/615 mm



DW09605D



DW09605D



■ APPLICATION

19"-Networking enclosure for wallmounting. Mostly used in offices and similar environments like private flats or houses. Central enclosure in small or medium sized network installations. Can also be used as sub-enclosure in structured cabling systems. The possibility to open the 2 parts of the enclosure allow comfortable and easy access to the rear part of the cabinet.

■ TECHNICAL DATA

- Steel sheet
- Available heights: 6, 9, 12, 15, 18 and 21 U
- Width: 600 mm, Depth: 515/615 mm
- Color: lightgrey RAL7035
- Maximum load: 20kg (6U), 25kg (9 to 12U), 30kg (15 to 21U)
- Degree of protection: IP 30
- Front-full-glasdoor made from safety hardened glass 5 mm including lock and 2 keys
 - Door hinged right, easy and quick change to left hinging possible
 - Door opening: ca. 180°
 - Fullmetall- and perforated doors available as an option
- Removable sidepanels with lock and keys
- 19" rails (2 pcs.) galvanised, continuously depthadjustable
- Cable-entry-openings in roof (2x), floor (2x) and rearpanel (2x). Covered with „break-out style“ blanking covers, which can be easily broken out by use of a simple tool like a screwdriver.
- Cable-entry-panel with brush included (1x)
- Passive cooling by ventilation slots
- M8-Earthing point in the rear of the cabinet
- FastOn-Earthing connections to all dismountable parts pre-installed
- Including assembly materials:
 - 8x cage nuts, bolts and washers M6
 - 4x dowel 10x50 and 4x screws M6x50 for fixing to the wall
- Wide range of available accessories (cable entry panels, fixed shelves, patch panels, cable management, PDUs, doors)
- Enclosure is delivered fully-assembled
- Units of measurement:
 - Unit (Height Unit): 1U = 44,45 mm
 - Inch: 1" = 25,4 mm
 - Unit (Height Unit): 1U = 1,75"

	A/mm	B/mm	C/mm	D/mm	E/mm	R1/mm SPACINGS OF MOUNTING HOLES VERTICAL	R2/mm SPACINGS OF MOUNTING HOLES HORIZONTAL
DW06605D	370	265	516	600	515	324	420
DW09605D	500	395	516	600	515	454	420
DW12605D	635	530	516	600	515	589	420
DW15605D	770	665	516	600	515	724	420
DW18605D	900	795	516	600	515	854	420
DW21605D	1.035	930	516	600	515	989	420
DW18606D	900	795	516	600	615	854	420
DW21606D	1.035	930	516	600	615	989	420

DESCRIPTION	DIM (WxHxD) mm	NET-WEIGHT (kg)	ORDER NUMBER
6 U Wallmounting Enclosure RAL 7035	600x370x515	17,9	DW06605D
9 U Wallmounting Enclosure RAL 7035	600x500x515	21,4	DW09605D
12 U Wallmounting Enclosure RAL 7035	600x635x515	25,1	DW12605D
15 U Wallmounting Enclosure RAL 7035	600x770x515	28,7	DW15605D
18 U Wallmounting Enclosure RAL 7035	600x900x515	32,1	DW18605D
21 U Wallmounting Enclosure RAL 7035	600x1035x515	34,5	DW21605D
18 U Wallmounting Enclosure RAL 7035	600x900x615	35,4	DW18606D
21 U Wallmounting Enclosure RAL 7035	600x1035x615	38,1	DW21606D