

■ DATASHEET: 19" WALLMOUNTING ENCLOSURE MONOBLOC WITH REMOVABLE SIDEPANELS AND OPTION FOR FAN



■ APPLICATION

19"-Networking enclosure for wallmounting. Mostly used in offices and similar environments like private flats or houses. Central enclosure in small or medium sized network installations. Can also be used as sub-enclosure in structured cabling systems. The removable sidepanels allow comfortable and easy access to the installed devices from the back side of the cabinet. For active cooling, it is possible to install an optional fan into the roof and/or floor.

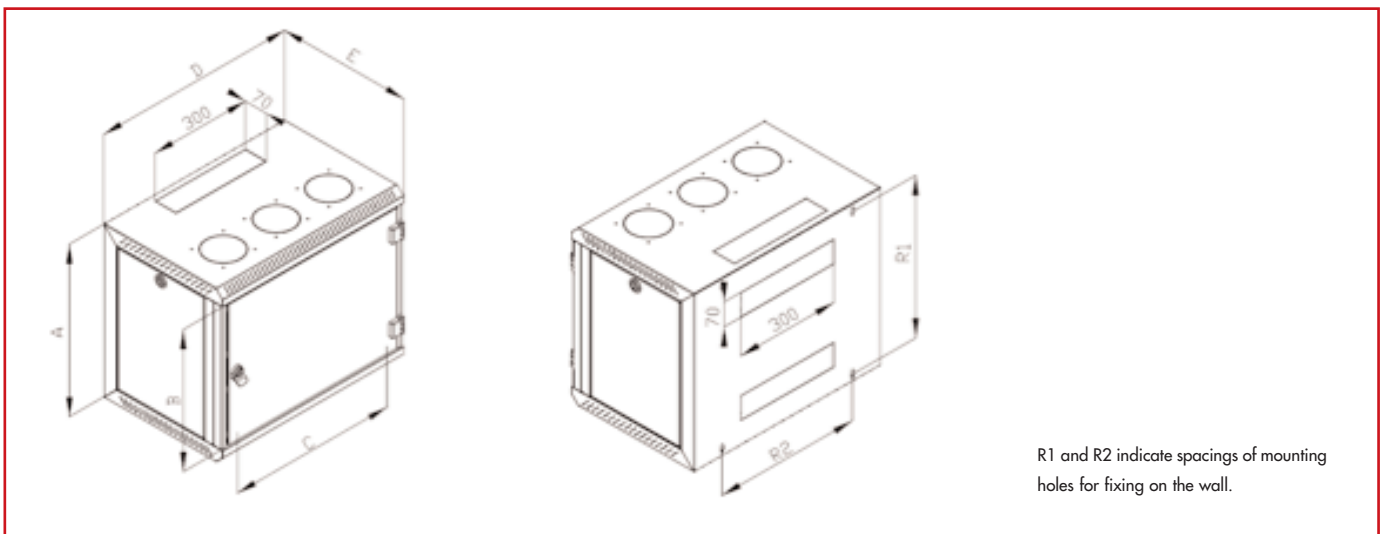
■ TECHNICAL DATA

- Steel sheet
- Available dimensions:
 - 6, 9, 12, 15 and 18 U at a depth of 495 mm
 - 9, 12 and 15 U at a depth of 595 mm
- Width: 600 mm
- Color: Lightgrey RAL7035
- Maximum load:
 - 30 kg at 495 mm deep enclosures
 - 25 kg at 595 mm deep enclosures
- Degree of protection: IP 30
- Front-full-glasdoor made from safety hardened glass 5 mm including lock and 2 keys
 - Door hinged right, easy and quick change to left hinging possible
 - Door opening: ca. 180°
 - Fullmetall- and perforated doors available as an option
- Removable sidepanels with lock and keys
- 19" rails (2 pcs.) galvanised, continuously depthadjustable
- Roof and floor with 3 openings each for optional fan DLT12121. Covered with „break-out style“ blanking covers, which can be easily broken out by use of a simple tool like a screwdriver.
- Cable-entry-openings in roof (1x), floor (1x) and rearpanel (2x). Covered with „break-out style“ blanking covers, which can be easily broken out by use of a simple tool like a screwdriver.
- Cable-entry-panel with brush included (1x)

TECHNICAL DATA – continued

- Cooling:
 - Passive cooling by sharing heat with environment via chassis
 - Active cooling by optional fan(s) DLT12121. Max. 6 pieces per enclosure (3 pieces each can be installed in roof and floor)
- Earthing:
 - M8-Earthing point in the rear of the cabinet
 - FastOn-Earthing connections to all dismountable parts pre-installed
- Including assembly materials:
 - 8x cage nuts, bolts and washers M6
 - 4x dowel 10x50 and 4x screws M6x50 for fixing to the wall
- Wide range of available accessories (fans, cable entry panels, fixed shelves, patch panels, cable management, PDUs, doors, etc.)
- Enclosure is delivered fully-assembled
- Units of measurement:
 - Unit (Height Unit): 1U = 44,45 mm
 - Inch: 1" = 25,4 mm
 - Unit (Height Unit): 1U = 1,75"

DIMENSIONS



TYPE	A/mm	B/mm	C/mm	D/mm	E/mm	R1/mm	R2/mm	Gross-weight (kg)	Net-weight (kg)	Max. Load (kg)
DW066050	370	265	490	600	495	324	420	17,30	17,00	30
DW096050	500	395	490	600	495	454	420	20,60	20,30	30
DW126050	635	530	490	600	495	589	420	24,00	23,70	30
DW156050	770	665	490	600	495	724	420	27,40	27,10	30
DW186050	900	795	490	600	495	854	420	30,70	30,30	30
DW096060	500	395	490	600	595	454	420	22,70	22,40	25
DW126060	635	530	490	600	595	589	420	26,30	26,00	25
DW156060	770	665	490	600	595	724	420	30,00	29,60	25

DESCRIPTION	ORDER NUMBER
ENCLOSURES	
Wallmounting enclosure 19", 6U, W=600, H=370, D= 495mm	DW066050
Wallmounting enclosure 19", 9U, W=600, H=500, D= 495mm	DW096050
Wallmounting enclosure 19", 12U, W=600, H=635, D= 495mm	DW126050
Wallmounting enclosure 19", 15U; W=600, H=770, D= 495mm	DW156050
Wallmounting enclosure 19", 18U, W=600, H=900, D= 495mm	DW186050
Wallmounting enclosure 19", 9U, W=600, H=500, D= 595mm	DW096060
Wallmounting enclosure 19", 12U, W=600, H=635, D= 595mm	DW126060
Wallmounting enclosure 19", 15U, W=600, H=770, D= 595mm	DW156060
ACCESSORIES	
Fan with dustfilter and grille, powercable with On-/Off-switch included	DLT12121
Full-metall-door for DW-enclosure 6U, W=600mm, RAL7035	DWRT0660
Full-metall-door for DW-enclosure 9U, W=600mm, RAL7035	DWRT0960
Full-metall-door for DW-enclosure 12U, W=600mm, RAL7035	DWRT1260
Full-metall-door for DW-enclosure 15U, W=600mm, RAL7035	DWRT1560
Full-metall-door for DW-enclosure 18U, W=600mm, RAL7035	DWRT1860
Perforated-metall-door for DW-enclosure 6U, W=600mm, RAL7035	DWRT0661
Perforated-metall-door for DW-enclosure 9U, W=600mm, RAL7035	DWRT0961
Perforated-metall-door for DW-enclosure 12U, W=600mm, RAL7035	DWRT1261
Perforated-metall-door for DW-enclosure 15U, W=600mm, RAL7035	DWRT1561
Perforated-metall-door for DW-enclosure 18U, W=600mm, RAL7035	DWRT1861
Fixed shelf 150mm, RAL7035	DFS14815-C
Fixed shelf 250mm, RAL7035	DFS14825-C
Fixed shelf 350mm, RAL7035	DFS14835-C
Fixed shelf 450mm, RAL7035	DFS14845-C
19" Power distribution unit, 7x Schuko (German-style version), overvoltage protection, 1.25U	IU070113
19" Power distribution unit, 9x Schuko (German-style version), 1U	IU070114
19" Power distribution unit, 8x Schuko (German-style version), 1.25U	IU070109
19" Power distribution unit, 7x Schuko (German-style version) + On-/Off-switch, 1.25U	IU070107-B
19" Power distribution unit, 8x UTE (French-style version), 1.25U	IU070110
19" Power distribution unit, 6x UTE (French-style version), overvoltage protection, 1.5U	IU070121
19" Light unit for 19"-installation, with magnet	DV900330-A
19" Installationset: 50 pcs. of M6 cagenuts, screws and washers	DSSRA050
Pouch for circuit diagrams, self adhesive, A4	ASDRA400
19" DIN-rail panel 3U	DAB34810
Cable-organiser for vertical cable management, fixed to 19"-rail, 40x40mm	DBKO4040