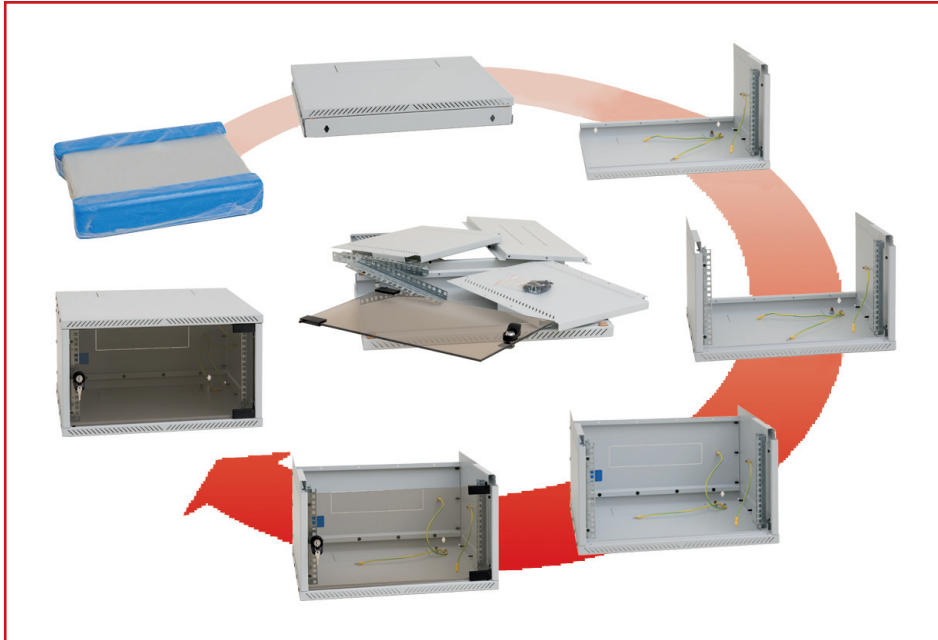


■ DATASHEET: 19" WALLMOUNTING ENCLOSURE FLATPACK



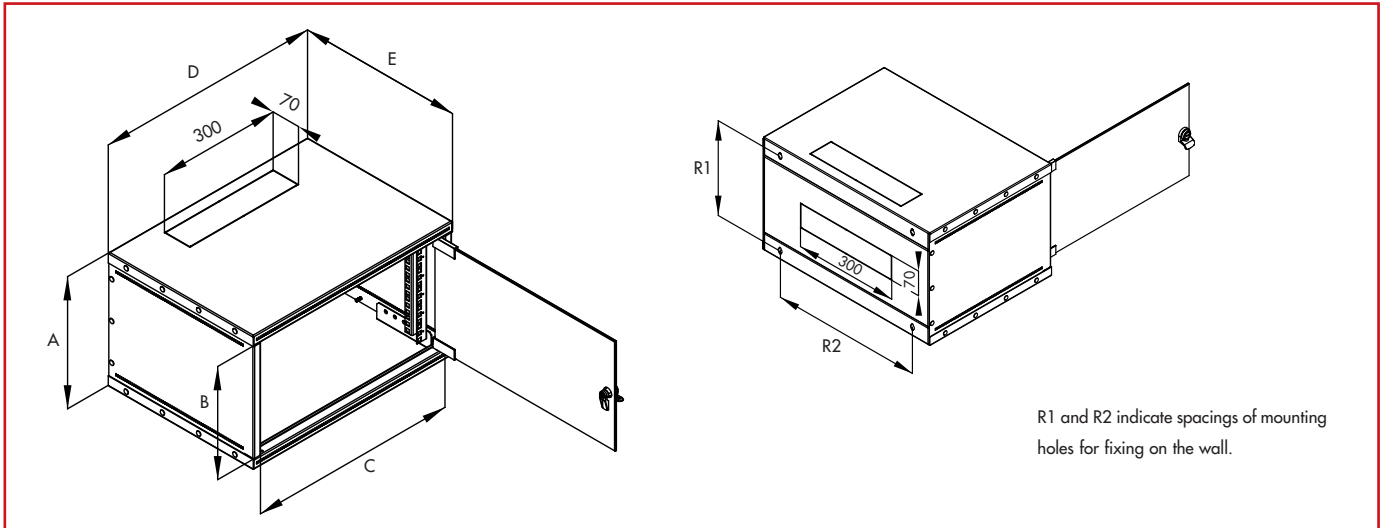
■ FLAT-PACK-CONSTRUCTION

This means a demountable cabinet that is supplied disassembled. The assembly procedure requires only a few minutes and it almost does not require any tools. Only the profile-rails have to be screwed by use of 4x Thorx T25 screws. The individual parts of the cabinet are joined together toolless by use of mounting-pins.

■ TECHNICAL DATA

- Steel sheet
- Heights: 4, 6, 9 and 12 U
- Width: 550 mm
- Color: lightgrey RAL7035
- Maximum load: 25 kg
- Degree of protection: IP 30
- Front-full-glasdoor made from safety hardened glass 5 mm including lock and 2 keys
 - Door hinged right, easy and quick change to left hinging possible
 - Door opening: 130°
- 19" rails (2 pcs.) galvanized. Step-adjustable in the front cabinet part.
- Cable-entry-openings in roof (1x), floor (1x) and rearpanel (1x). Covered with „break-out style“ blanking covers, which can be easily broken out by use of a simple tool like a screwdriver.
- Passive cooling by sharing heat with environment via chassis
- Earthing:
 - M8-Earthing point in the rear of the cabinet
 - Earthing cables for connection to all dismountable parts included in delivery.
- Wide range of available accessories (fans, cable entry panels, fixed shelves, patch panels, cable management, PDUs, doors, etc.)
- Units of measurement:
 - Inch: 1" = 25,4 mm
 - Unit (Height Unit): 1U = 1,75" = 44,45 mm

DIMENSIONS



TYPE	A/mm	B/mm	C/mm	D/mm	E/mm	R1/mm	R2/mm	Gross-weight (kg)	Net-weight (kg)	Max. Load (kg)
DW045540	230	180	505	550	400	180	435	11,2	11,0	25
DW065540	320	270	505	550	400	270	435	13,3	13,0	25
DW095540	410	360	505	550	400	360	435	15,4	15,0	25
DW125540	580	530	505	550	400	530	435	18,7	18,4	25

DESCRIPTION	ORDER NUMBER
-------------	--------------

ENCLOSURES

Wallmounting enclosure 19", 4U, W=550, H=230, D=400mm	DW045540
Wallmounting enclosure 19", 6U, W=550, H=320, D=400mm	DW065540
Wallmounting enclosure 19", 9U, W=550, H=410, D=400mm	DW095540
Wallmounting enclosure 19", 12U, W=550, H=580, D=400mm	DW125540

ACCESSORIES

Fixed shelf 150mm, RAL7035	DFS14815-C
Fixed shelf 250mm, RAL7035	DFS14825-C
Fixed shelf 350mm, RAL7035	DFS14835-C
19" Power distribution unit, 7x Schuko (German-style version), overvoltage protection, 1.25U	IU070113
19" Power distribution unit, 9x Schuko (German-style version), 1U	IU070114
19" Power distribution unit, 8x Schuko (German-style version), 1.25U	IU070109
19" Power distribution unit, 7x Schuko (German-style version) + On-/Off-switch, 1.25U	IU070107-B
19" Power distribution unit, 6x Schuko (German-style version) with RCBO BO217516, 1U	IU070112
19" Power distribution unit, 8x UTE (French-style version), 1.25U	IU070110
19" Power distribution unit, 6x UTE (French-style version), overvoltage protection, 1.5U	IU070121
19" Light unit for 19"-installation, with magnet	DV900330-A
19" Installationset: 50 pcs. of M6 cagenuts, screws and washers	DSSRA050
19" DIN-rail panel 3U	DAB34810
Cable-organiser for vertical cable management, fixed to 19"-rail, 40x40mm	DBKO4040