



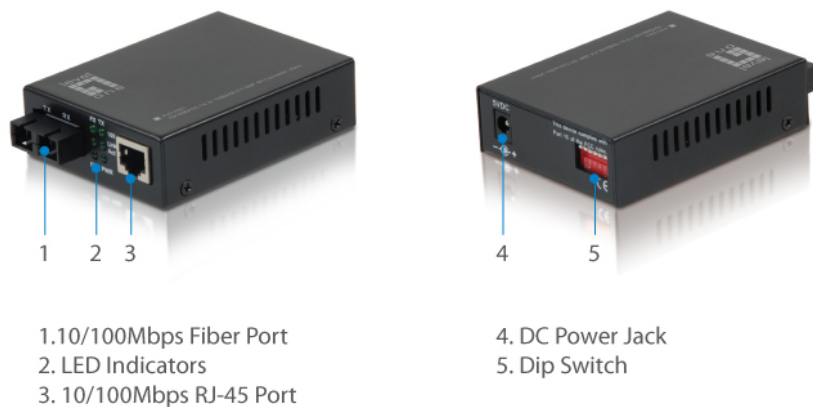
FVT-2201 Version: 1

10/100BASE-TX to 100BASE-FX SMF SC Converter, 20km

The FVT-2201 SMF SC media converter is able to convert network signals between copper and fiber-optic based networks. The converter provides a 10/100Base-TX RJ-45 port, supports full duplex and half duplex switch connectivity and 10Base-T and 100Base-TX auto-sensing. Used in single-mode with fibre-optic cabling, this can extend a network range up to 20km.

The device features built-in Dip switches for easy converter configuration, which function on the Smart LFP (Link Fault Pass-through), allowing the converter to monitor both the fiber and copper ports for signal loss, as well as converter transmission method, auto-negotiation mode for adjusting copper speed and full & half duplex mode.

The FVT-2201 is able to operate in temperatures from -10° up to 55° Celsius. The converter can be used as a standalone unit or as a slide-in module to the CHV-2000 19-inch Converter Chassis, which can accommodate up to 14 units for use in a central wiring closet.



Key Features

- Transfers data from 10/100Base-TX copper to fiber interfaces
- Single-mode fiber with SC connector for transmission of up to 20km
- Built-in LFP (Link Fault Pass-through) (LLCF/LLR) Technology
- IEEE 802.3x Flow Control protects against lost packets for reliable data transmission
- Dip switches for customized configuration
- Supports low-time lag transmission
- Supports the transmission of extra-long packets up to 1.6KB



- -10°C ~ 55°C operating temperature range

Works With



CVH-2000
14-Slot Media Converter Chassis



FVT-2401
10/100BASE-TX to 100BASE-FX SMF SC Converter, 40km

Specifications

System Specifications

Standards & Protocols:

IEEE 802.3 10-BASE-T, Ethernet
IEEE 802.3u 100-BASE-TX, Fast Ethernet
IEEE 802.3x Flow Control (full-duplex flow control)

Connectors and Cabling:

1 x 100Base-FX Single-mode duplex SC
Fiber cable: 8.3/125um, 9/125um, 10/125um

1 x 10/100Base-TX RJ-45 Port, auto MDI/MDI-X and Auto-Negotiation
CAT-5 Twisted Pair cable

Wavelength(nm):

1310nm

Indicator:

PWR, TX (FDX, 100, Link/Act), FX (102, Link/Act)

Transmission Method:

Store and forward (Default)

Power:

DC 5V/1A

Features

General:

DIP Switch 1: LFP function
DIP Switch 2: Transmission Mode
DIP Switch 3: Auto/Force the UTP port work mode
DIP Switch 4: 10/100M for UTP port
DIP Switch 5: Full/Half Duplex mode for UTP port
DIP Switch 6: Normally close

Performance

Operating Distance:

Fiber connection up to 20km

Environment

Temperature (°C):
 Storage: -40 ~75 °C
 Operating: -10 ~ 55 °C
 Humidity (Non-condensing):
 5 ~ 90 %

Physical Specifications

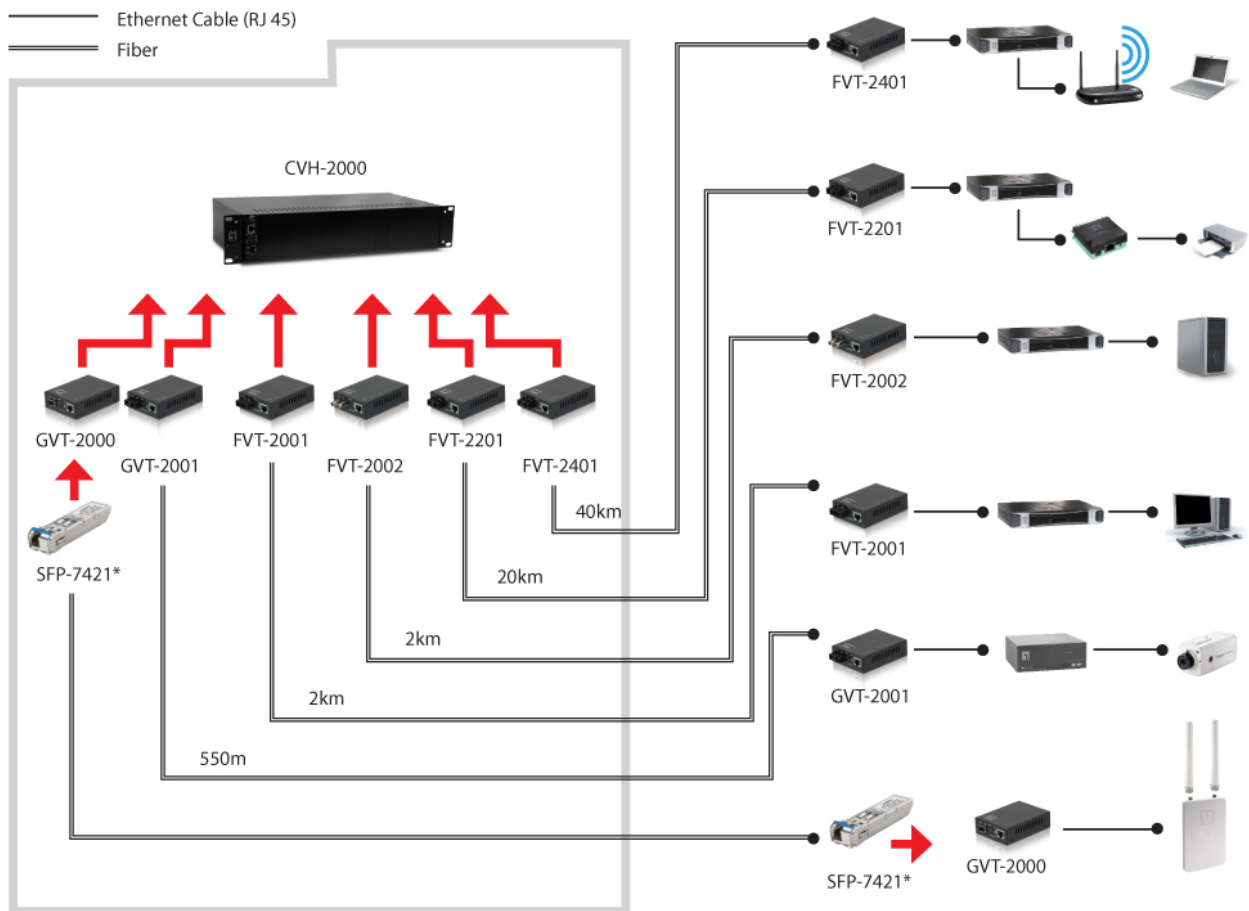
Dimensions (W x D x H mm):
 71 x 94 x 26 mm
 Weight (g):
 420 g

Others

Approval and Compliance:
 FCC, CE, RoHS
 Deployment:
 Desk, chassis mounted

Diagram

Dimension Diagram



* In above example diagram, converter modules at local and remote ends should be paired for proper connectivity, and the distance mainly depends on cable and transceiver selection accordingly.

Order Information

FVT-2201

Package Contents

FVT-2201

Power Adapter

Quick Installation Guide

Optional Accessory



CVH-2000

14-Slot Media Converter Chassis

No liability or responsibility for any errors or omissions in the content.
Specifications are subject to change without notice.
All mentioned brand names are registered trademarks and property of their owners.
Copyright © Digital Data Communications GmbH, Germany. All Rights Reserved.