

## ■ Instruction sheet: Sat Multiswitch 9 in 8, HSATS908ER



### ■ Schrack-Info

- No loss at SAT-range
- High modulation / high signal-quality
- Low power consumption
- Short-circuit proof
- Made in Germany

### ■ Usage

Multiswitch HSATS908ER distributes the signals of your satellite system to up to 8 devices (satellite receiver, TV sets with satellite tuner, etc.).

Using a Quattro LNB, make sure that vertical/horizontal and low/high band signals are connected correct.

The terrestrial input is designed for using with a DVB-T / FM antenna.

### ■ Safety Instructions

Please check first the coaxial cable regarding short circuit before starting!

The mounting ground should be:

- even and flame proof
- dust-free
- protected against humidity
- not under direct impact of sunlight
- not adjacent to heating sources

The ventilation slots of the power supply unit may not be covered.

It is to be paid attention to it that the input levels of the SAT-lines are equivalent high.

All installation and fixing of components should only be executed when the units are disconnected from the mains supply.

Avoid short-circuits.

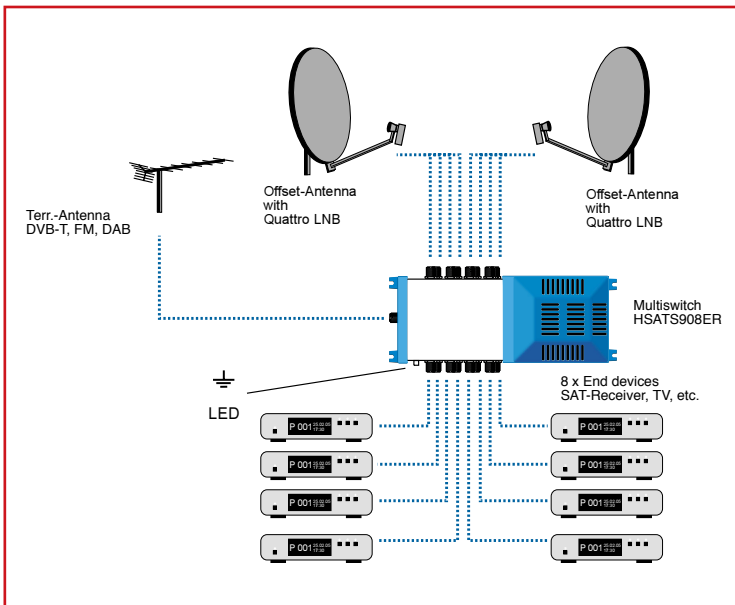
The applicate standards and regulations for the guarantee of electrical security are to be considered.

The national regulations for broadcast recording systems have to be observed!

## Installation

First connect the HSATS908ER with all external devices (antennas, receivers, LNB) and do not forget grounding of the device. Use the GND terminal for earth connection. After that you can plug in the power cord into the mains. The indicator next to the GND terminal should lit.

### HSATS908ER with PSU and Quattro LNB



## Technical Data

Typ:		HSATS908ER
Description		with PSU, for Quattro LNB
Inputs	SAT	8 x 950 x 2200 MHz
	Terr.	1 x 40 x 860 MHz
Outputs		8 x 40 - 2200 MHz
tap loss		
SAT		-1...+3 dB ±1,5 dB
Terrestrial		18 dB ± 2 dB
Isolation		
H / V		>30 dB
SAT / Terr.		>25 dB
Return loss		
Input / Output		<-10dB
Output level		
SAT IMA3 35 dB		max. 100 dBµV
Terr. IMA3 60 dB		passiv
Selection		14V/18V, 0/22kHz
Remote current LNB		max. 500 mA
Main voltage		100 - 230 V AC, 50 - 60 Hz
Power consumption		max. 6,0 W
Dimensions		220 x 112 x 58 mm
Weight		0,5 kg

DESCRIPTION	ORDER NO.
SAT Multiswitch 9 in 8, for Quattro LNB, internal PSU	HSATS908ER