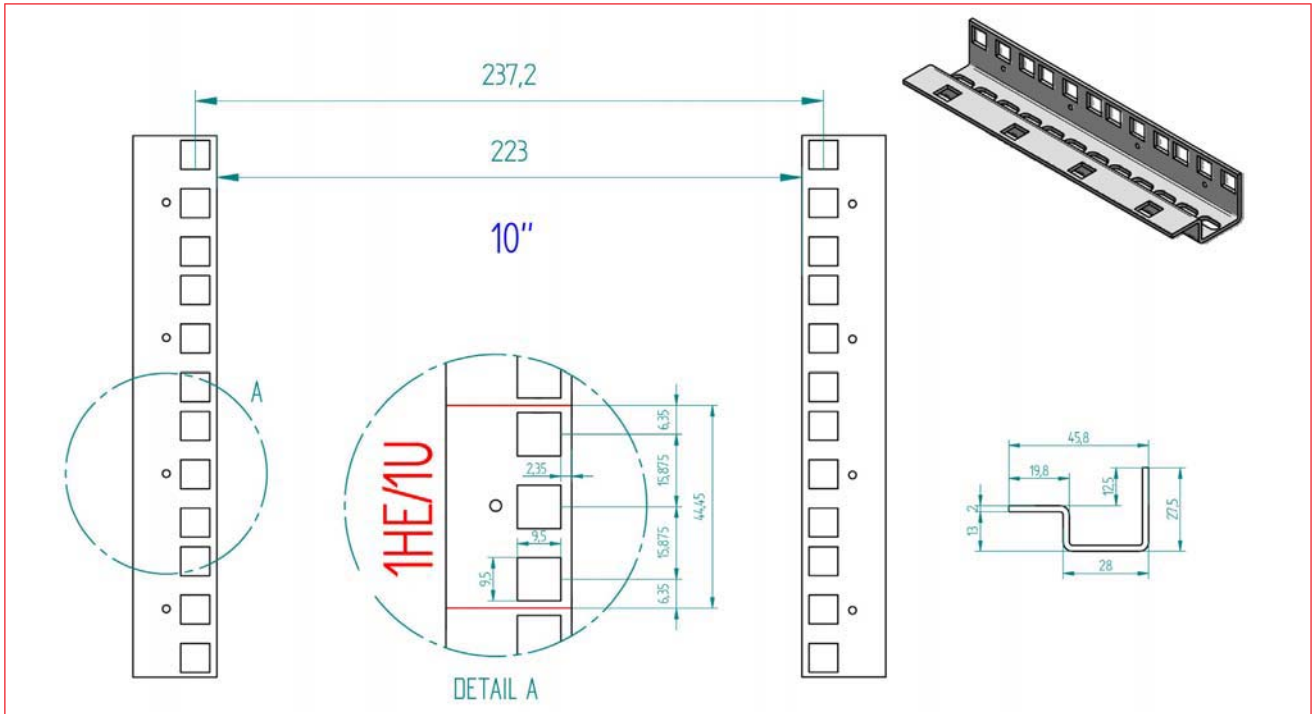


Wall-mounted data enclosures 10"

■ Data-Enclosures Wallmounting 10"

■ DRAWING OF THE VERTICAL 10"-PROFILE-RAILS



DESCRIPTION	AVAILABLE	ORDER NO.
Data-Enclosures Wallmounting D=260mm		
Network Enclosure Wallmounting DV, W=310 x H=248 x D=260mm, 10", 4U, RAL7035		DV610004-A
Network Enclosure Wallmounting DV, W=310 x H=337 x D=260mm, 10", 6U, RAL7035		DV610006-A
Network Enclosure Wallmounting DV, W=310 x H=470 x D=260mm, 10", 9U, RAL7035		DV610009-A

■ Accessories



IU071000-A



IU070122



HSER0120GS



HSERG106GV

DESCRIPTION	AVAILABLE	ORDER NO.
Shelf		
10" Shelf Fix, D=150mm, Low Profile, RAL7035		IU071000-A
10" DIN-rail panel, 3U, RAL7035		DAB34812
Power Distribution Units - PDUs		
10" PDU, 3xSchuko, Profile ALU 1U, 2m-connector cable, RAL7035		IU070122
10" PDU, 3x UTE, Profile ALU 1U, 2m-connector cable, RAL7035		IU070123
Networking Patchpanels		
Patchpanel 10" empty for 12 modules (SFA)(SFB), 1U, RAL7035		HSER0120GS
DE-EMBEDDED LINE Patchpanel 10" 10xRJ45 shielded, Cat.6, 1U, RAL7035		HSERG106GV
Accessories		
19" Mounting set M6, 50 pcs. each: screw, nut, washer		DSSRA050
Back-to-back cable ties, 7.5m, W=16mm, Perforation every 25cm, red		HSEKBK25HR
Back-to-back cable ties, 7.5m, W=16mm, Perforation every 25cm, black		HSEKBK25HS
Cable Ties 100 x 2.5mm, nature/white, 1 PU= 25 pcs.		HSERZKB025