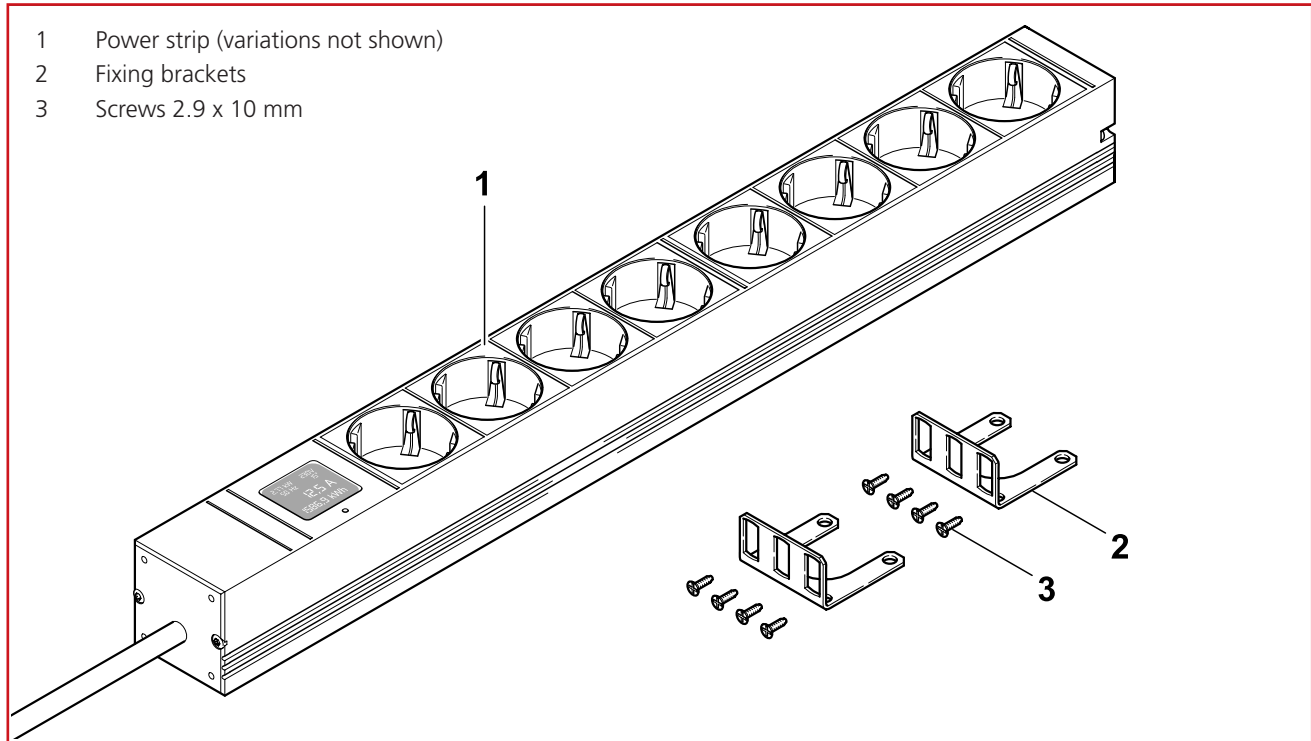


INSTRUCTION SHEET: HSMPE



SCHRACK-INFO

- Power supply voltage: ~ 230 V
- Measurement range: 0,1A - 16 A
- Temperature range: + 5...+ 45°C
- Storage temperature: -15...+40°C
- Relative humidity: < 80% non-condensing

TECHNICAL DATA

Measurement and display values	Power (I)	Voltage (U)	Effective power (P)	Energy consumption (kWh)	Phase shift angle (φ)	Frequency (f)
Measuring accuracy	0.01 A	0.1 V	1 W	1 Wh	0.1 °	0.1 Hz
Display accuracy	0.1 A	1 V	1 W	1 Wh	1 °	1 Hz

SAFETY INFORMATION



Use only in indoor, well ventilated and dry areas.



Never use the power strip immediately after bringing it into a warm room from a cold one. The condensation this creates can, in some cases, cause a shortcircuit and destroy the product. It also presents a fatal electrocution hazard!



The power cable of the power strip must be neither repaired nor replaced. If the power cable is damaged, the power strip must be replaced.



Ensure when selecting the installation site that no high humidity, high temperatures (see Technical Data), moisture, solvents, flammable gases, dust or vapors are present. The heat generated during operation must be dissipated.



The power strip may be operated only when connected to power socket protected by a 16A fuse. Do not exceed the maximum power transmission (see Technical Data). If the power strip shows outward signs of wear from transport or improper handling, it must not be put into operation or must be put out of operation immediately and must be replaced or sent back to the manufacturer for repair.



Danger of fatal electric shock:
Never carry out work on the power strip with wet hands.



Risk of finger crushing during installation or mounting work.



This is a maintenance-free system.
There is no need to open the housing during installation.



Do not use aggressive substances such as spirits or acids to clean the unit, as these can damage it. To clean the housing use a slightly moistened cloth.



Observing these notices is part of our terms of warranty.



The product fulfills the requirements of the valid European and national directives and standards. The CE conformity has been documented, and the corresponding certificates are on file at the manufacturer's location.

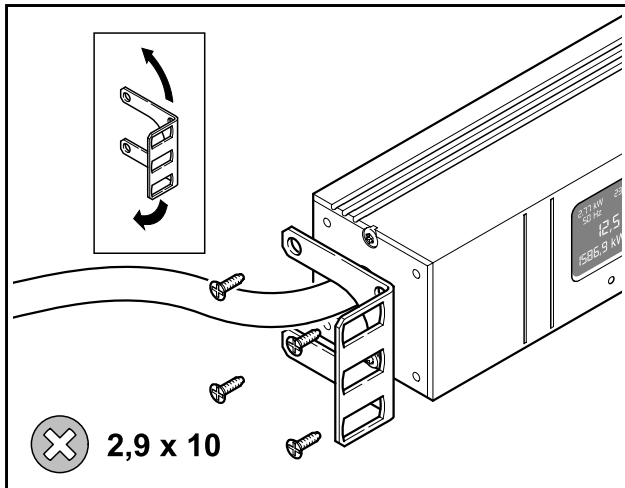
INTENDED USE

The power strip is intended solely for the common connection of different electrical devices in power consumption of the connected equipment for consumption monitoring purposes.

Uses other than that specified above are not permitted and may lead to damage to the power strip. No modification may be made to any part of the power strip. Any such modification forfeits all warranty liability.

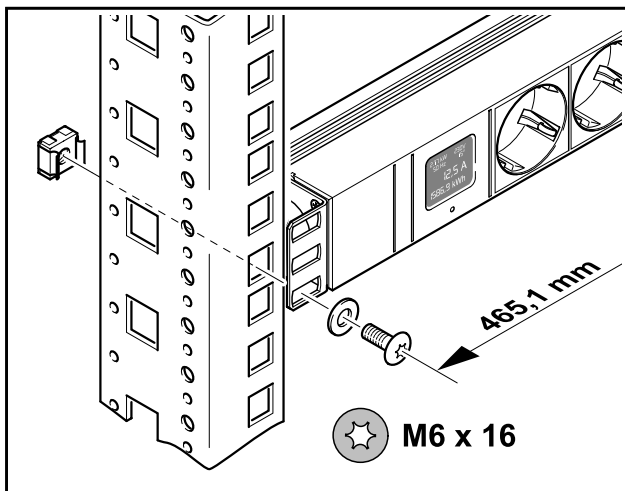
INSTALLATION

For fitting in a cabinet, mount the fixing brackets onto the power strip.



Place the brackets in the desired position on the power strip, insert and tighten screws.

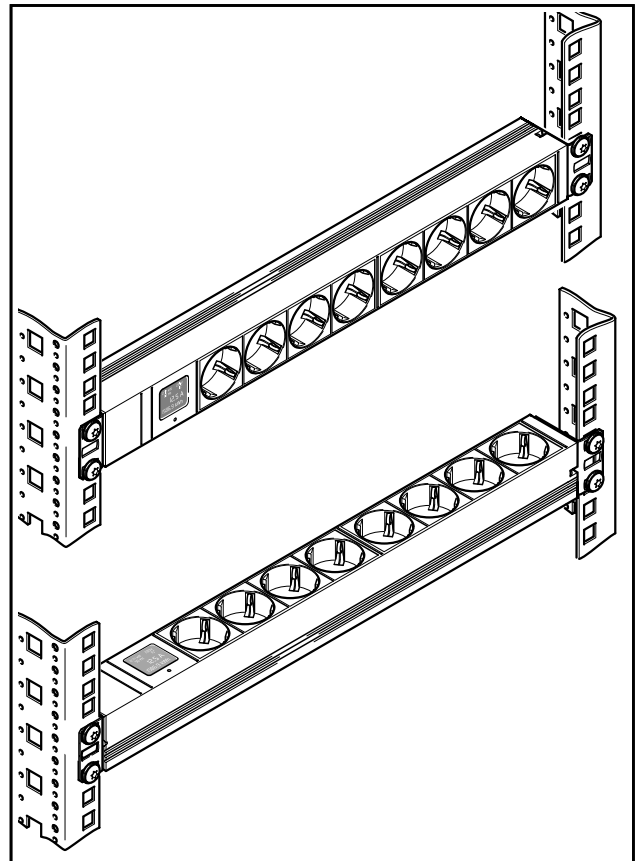
The fixing brackets must be fitted in the same position on both sides.



Position the power strip on the mounting profile of the cabinet.

Fixing materials are not included.

Installation Options

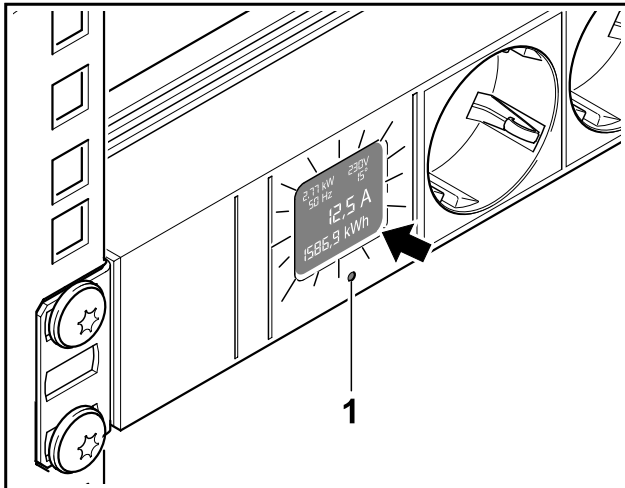


The versatile mounting brackets can be fitted to the power strip in four different positions (each rotated by 90°).

This facilitates installation of the power strip according to individual needs.

INITIAL OPERATION

Before interrupting the power supply to your equipment, make certain that the equipment has been correctly switched off.



Insert the power strip's plug into the power socket.

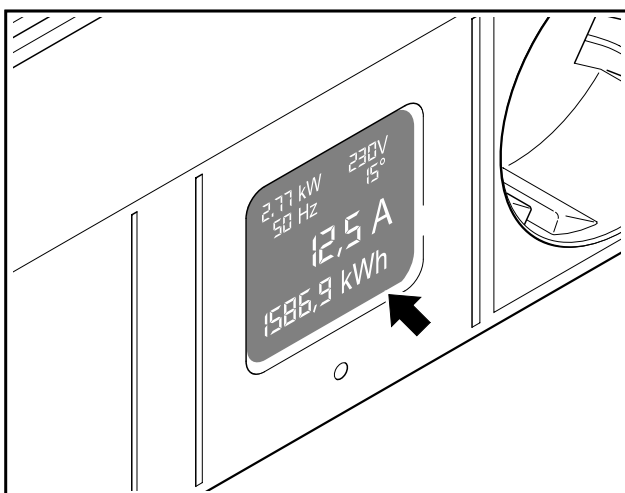
Press button (1) to activate the display (arrow).
The display will turn off again after 30 seconds.

Now you may plug your equipment into the power strip.

For voltage and current consumption... see Technical Data.

DISPLAY

The values shown in the display fulfill Accuracy class 1.



The display (arrow) is situated on the front of the power strip.

The following values can be read from the display.

Display Overview



1. **kW - Power measurement**
Electrical output of all connected devices taking into account the phase shift.
2. **Hz - Frequency**
Current power frequency.
3. **kWh - Kilowatt-hour**
Records the power consumed by all connected devices. The counter reading is stored and can be reset to zero using the Reset button.
4. **V - Power supply voltage**
Current voltage of the power supply.
5. **Phase angle**
Displays the phase shift in the power supply.
6. **A - Amps**
Current drawn at the present time by all connected devices.

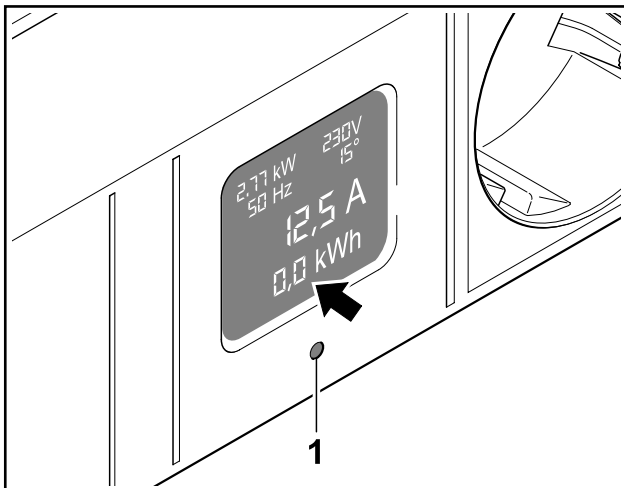
OPERATION

Press the button (1) to reactivate the display. Button (1) must be pressed for at least one second. The display will now light up.

By pressing button (1) for at least 10 seconds, the energy counter will be reset to zero.

This process can be carried out at any time during operation (the connected devices do not have to be shut off).


The displayed kWh counter reading is stored and retained even if the power strip is unplugged. If necessary, write down the current counter reading first.



Press the button (1) until the kWh counter reading (arrow) is at zero.

The kWh counter resumes counting immediately after you release the button (1).

WHAT TO DO IF...

Display no longer shows all readings.	Unplug power strip from power supply and plug back in. Strip re-starts. Connected equipment must be switched off before strip is unplugged. 
No voltage at a socket on the strip.	Contact our service department.

STORAGE AND DISPOSAL

We recommend that the power strip be disconnected from the power supply and stored if it is not to be used for an extended period.



Protect power strips in storage from moisture and dust; for further information see Technical Data.



Do not throw electrical devices into household waste. These must be disposed of in an environmentally responsible manner via your local collection point!