

DATA SHEET:

Data Outlet 80x80mm empty for one module (SFA)(SFB), angled, RAL9010



SCHRACK-INFO

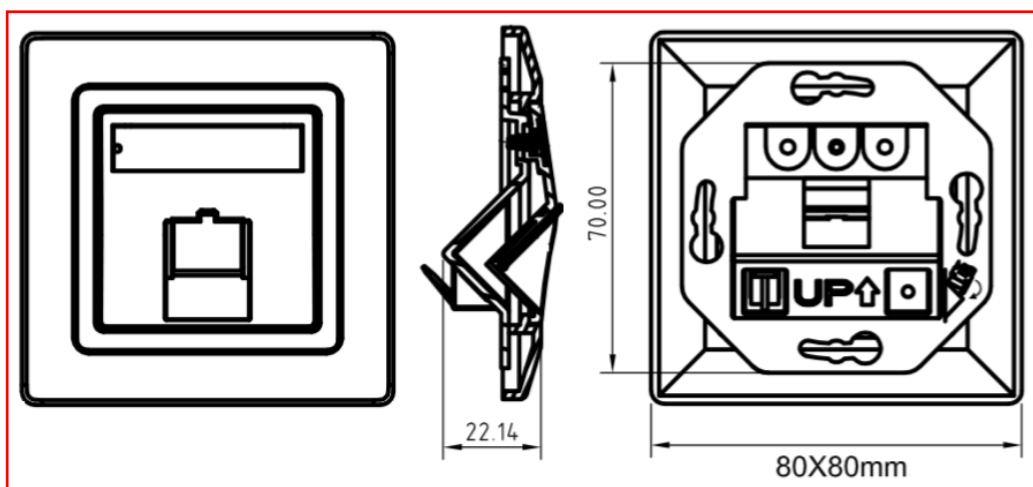
These data-outlets comprise a die-cast zinc housing and are suitable for installation of all SCHRACK modules in Schrack Format A (SFA) and Schrack Format B (SFB). The outlets come in color RAL9010 and are suitable for cable-duct installation (CI), for flush-mounting (FM) or for surface-mounting (SM) by means of a separate wallmount-box. Floor-Box-installation (FB) is possible for angled outlets by breaking away 2 fastening lugs. Each outlet comes with its own paper and window for labelling. Delivery also includes the centralplate (50 x 50 mm) and the frame (80 x 80 mm). The angled outlets have dust-protection flaps and a Fast On earthing point. The labeling window is also available as a separate spare-part. Outlets can be combined with switch-programs by use of a distance-frame.

PACKAGING INFORMATIONS

- Weight: 0,08kg
- Single piece in polypack
- 30 pieces in a carton

DIMENSIONS

- 80 x 80 x 28mm



DESCRIPTION

Data Outlet 80x80mm empty for one module (SFA)(SFB), angled, RAL9010

ORDER NO.

HSED01UW2S