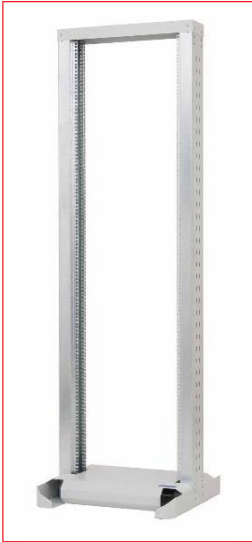
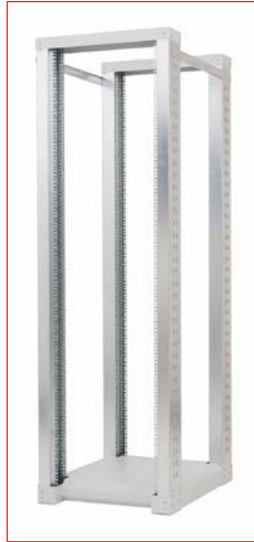


Data system racks 19"

■ Data Systemracks 19"



IU070142-A



IU070242-A

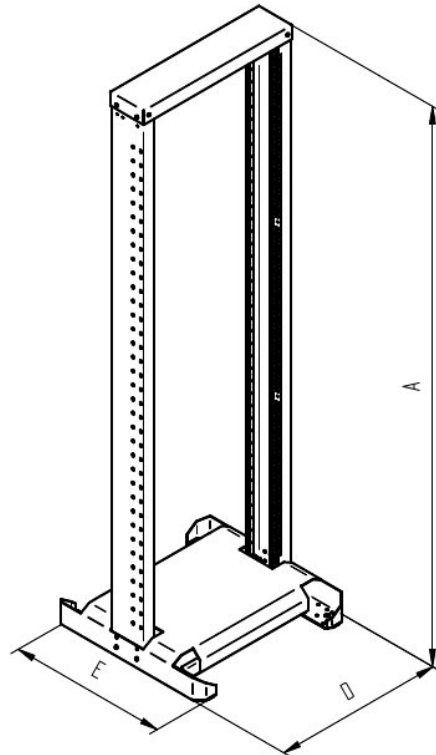
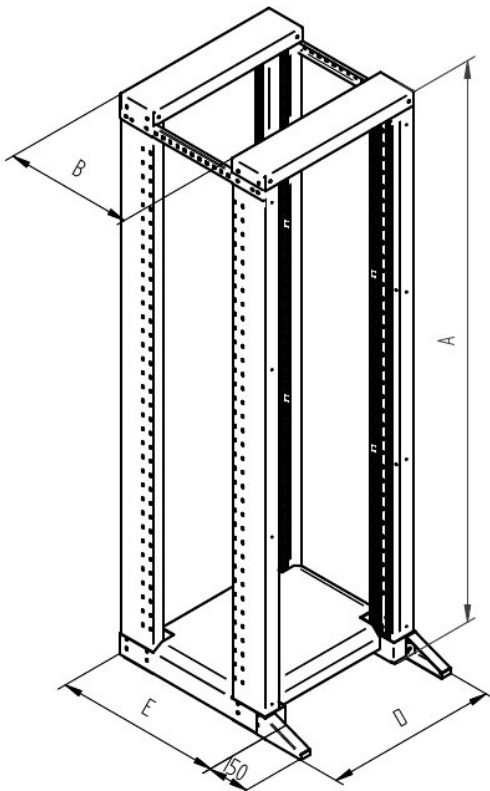
■ SCHRACK-INFO

These 19" systemracks are used when access to the equipment from all sides is necessary all the time. Also frequently used for presentation of 19"-devices in showrooms or on exhibitions. The single section racks are designed for installations without heavy equipment. The double section racks are designed for installation of heavier and larger equipment. The included stabilization set is mounted additionally on the base of the double section racks and increases stability of the whole rack in case of installation of slide-out devices, e.g. servers.

Installation:

- Direct on floor.
- By use of the included leveling feet in case of uneven floor.
- By use of optional castors with brake (Ordernumber: DSR00005-A).



■ DIMENSIONS



■ Data Systemracks 19"

	A / mm	B / mm	D / mm	E / mm	1)	2)	3)	4)
IU070127-A	1365	-	616	600	150	-	34,3	27,5
IU070142-A	2031	-	616	600	150	-	40,5	33,7
IU070227-A	1365	560	616	700	400	-	53,2	45,1
IU070242-A	2031	560	616	700	400	-	65,5	57,5

- 1) Maximum load / kg
- 2) Degree of protection
- 3) Weight Brutto / kg
- 4) Weight Netto / kg

DESCRIPTION	AVAILABLE	ORDER NO.
Data Systemracks Single-sectioned		
Network Systemrack, single-sectioned, W=616 x H=1.365 x D=600mm, 19", 27U		IU070127-A
Network Systemrack, single-sectioned, W=616 x H=2.031 x D=600mm, 19", 42U		IU070142-A
Data Systemracks Double-sectioned		
Network Systemrack, double-sectioned, W=616 x H=1.365 x D=700mm, 19", 27U		IU070227-A
Network Systemrack, double-sectioned, W=616 x H=2.031 x D=700mm, 19", 42U		IU070242-A

