

DATA SHEET: Data Systemracks 19"



SCHRACK-INFO

These 19" systemracks are used when access to the equipment from all sides is necessary all the time. Also frequently used for presentation of 19"-devices in show-rooms or on exhibitions. The single section racks are designed for installations without heavy equipment. The double section racks are designed for installation of heavier and larger equipment.

The in the double section racks included stabilization set increases stability of the whole rack in case of installation of slide-out devices, e.g. servers.

Installation:

- Direct on floor.
- By use of the included leveling feet in case of uneven floor.
- By use of optional castors with brake (Ordernumber: DSR00005-A)

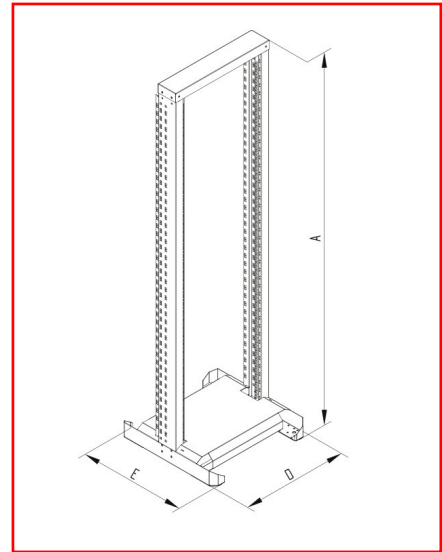
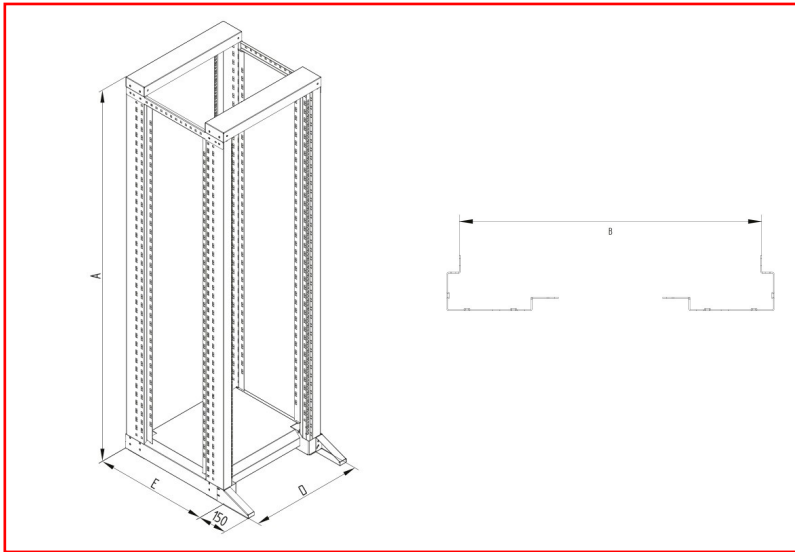
MOUNTING OF THE FRAME

- To ensure the maximum recommended load, it is necessary to distribute the load equally. It is necessary to prevent one-side or one-point loading of the frame.
- Place the frame on a flat floor and compensate an eventual small roughness with nivelation feet.

CERTIFICATE AND CONFORMITY

- This product is fully in accordance with EN 62208 ed 2:2012.

DIMENSIONS



	A [mm]	B [mm]	D [mm]	E [mm]	Maximum load [kg]	Weight Brutto [kg]	Weight Netto [kg]
IU070127-A	1340	-	600	600	150	24,2	19
IU070142-A	2005	-	600	600	150	27,7	22,4
IU070227-A	1340	664	600	700	400	36,9	31,4
IU070242-A	2005	664	600	700	400	43,8	38,3

DESCRIPTION	ORDER NO.
Data Systemracks Single-sectioned	
Network Systemrack, single-sectioned, W=600 x H=1.340 x D=600mm, 19", 27U	IU070127-A
Network Systemrack, single-sectioned, W=600 x H=2.005 x D=600mm, 19", 42U	IU070142-A
Data Systemracks Double-sectioned	
Network Systemrack, double-sectioned, W=600 x H=1.340 x D=700mm, 19", 27U	IU070227-A
Network Systemrack, double-sectioned, W=600 x H=2.005 x D=700mm, 19", 42U	IU070242-A