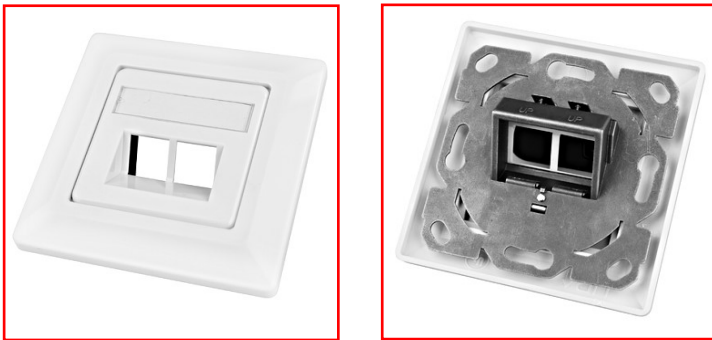


DATA SHEET:

Data Outlet 80x80mm empty for 2 modules (SFB), angled, RAL9010, UAE centralplate



SCHRACK-INFO

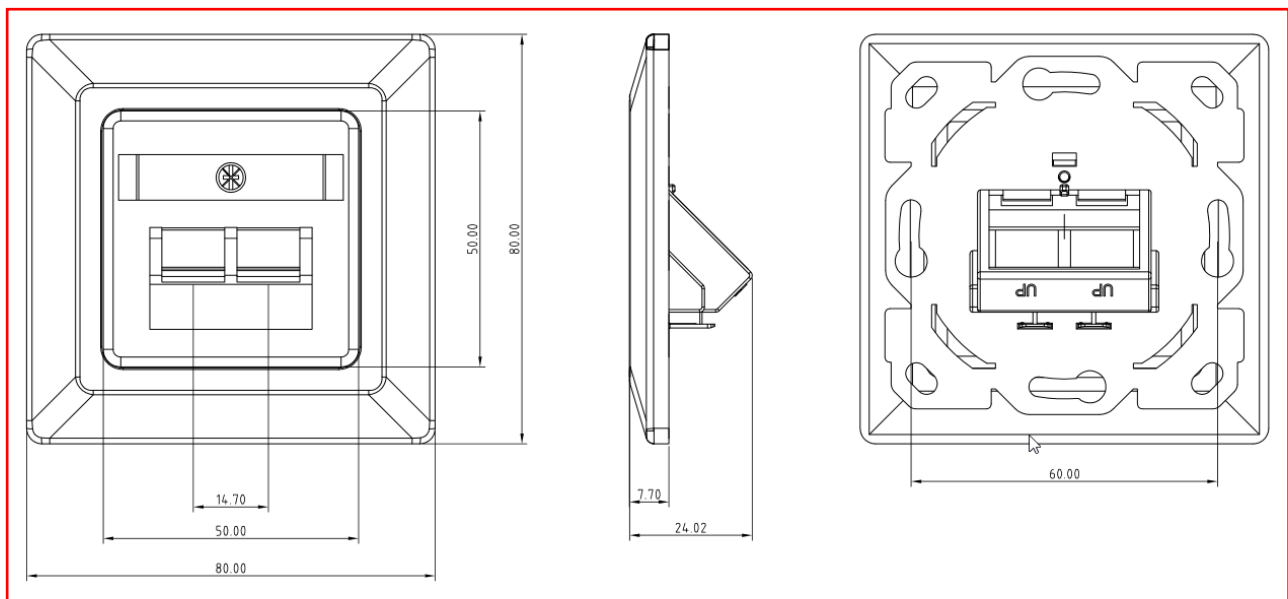
This data-outlet comprise a die-cast zinc housing and is suitable for installation of all SCHRACK modules in Schrack Format B (SFB). The outlet comes in color RAL9010 and is suitable for cable-duct installation (CI), for flush-mounting (FM) or for surface-mounting (SM) by means of a separate wallmountbox. Designcompatibility is easily possible due to the UAE-compatible centralplate. Replacing of centralplate is possible with all switch-programs that offer UAE-compatible centralplates. Each outlet comes with its own paper and window for labelling. Delivery also includes the centralplate (50 x 50 mm) and the frame (80 x 80 mm). The data outlet has two Fast On earthing points. The labeling window is also available as a separate spare-part.

PACKAGING INFORMATION

- Weight: 0,09kg
- Single piece in polypack
- 30 pieces in a carton

DIMENSIONS

- 80 x 80 x 28mm



DESCRIPTION	ORDER NO.
Data Outlet 80x80mm empty for 2 modules (SFB), angled, RAL9010, UAE centralplate	HSED02UWBS