

Shelves Sliding 19"



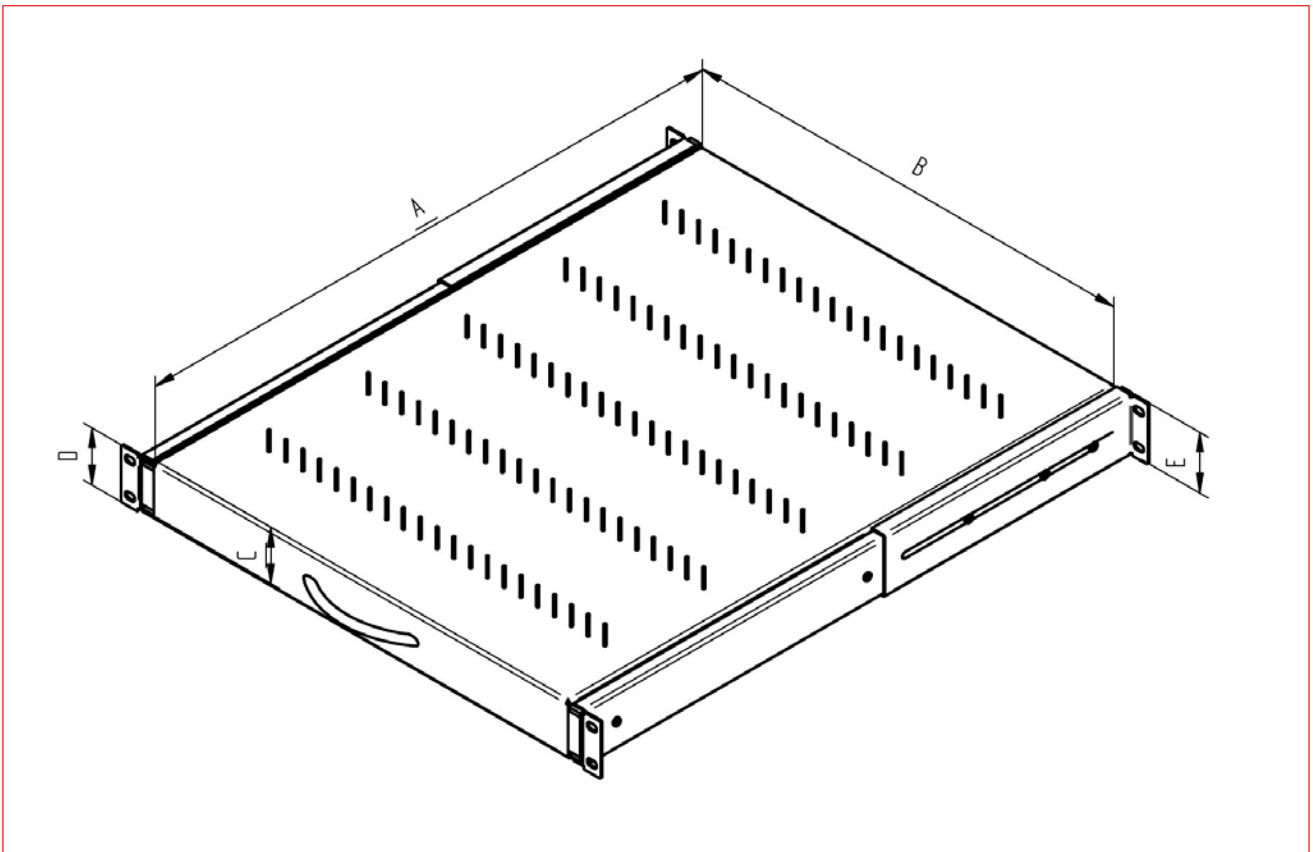
DFA14845

SCHRACK-INFO

Shelves are used for equipment that has no 19"-installation possibility. To increase stability and maximum possible load, we recommend 4-point (front and rear) fixing of the shelves to the 19"-vertical rails. Rear 19"-mounting brackets are included in delivery. These sliding shelves with full extension offer easy access to equipment on it.

- Powder coated steel sheet
- Full extension.
- Color: RAL7035 (lightgrey)
- Perforated for optimized air-flow inside the cabinet.
- High load capability of up to 45kg, depending on depth.
- Used height: 45 / 50mm, depending on depth.
- 100% of space between 19"-vertical rails can be used -> Width for equipment: 450mm.
- Rear 19"-mounting brackets are included in delivery.
- Included assembly materials: 8x cage nuts, bolts and washers M6

DIMENSIONS



	A / mm	B / mm	C / mm	D / mm	E / mm	Mountig brackets included	Maximum load / kg
DFA14835	350	410	45	45	45	4	30
DFA14845	450	410	45	45	45	4	30
DFA14555	550	419	50	50	53	4	45
DFA14865	650	419	50	50	53	4	45

DESCRIPTION	AVAILABLE	ORDER NO.
19" Shelf Sliding with full extension, up to 30kg Load, D=350mm, 1U, RAL7035		DFA14835
19" Shelf Sliding with full extension, up to 30kg Load, D=450mm, 1U, RAL7035		DFA14845
19" Shelf Sliding with full extension, up to 45kg Load, D=550mm, 1U, RAL7035		DFA14855
19" Shelf Sliding with full extension, up to 45kg Load, D=650mm, 1U, RAL7035		DFA14865