

## Shelf for Keyboard 19"



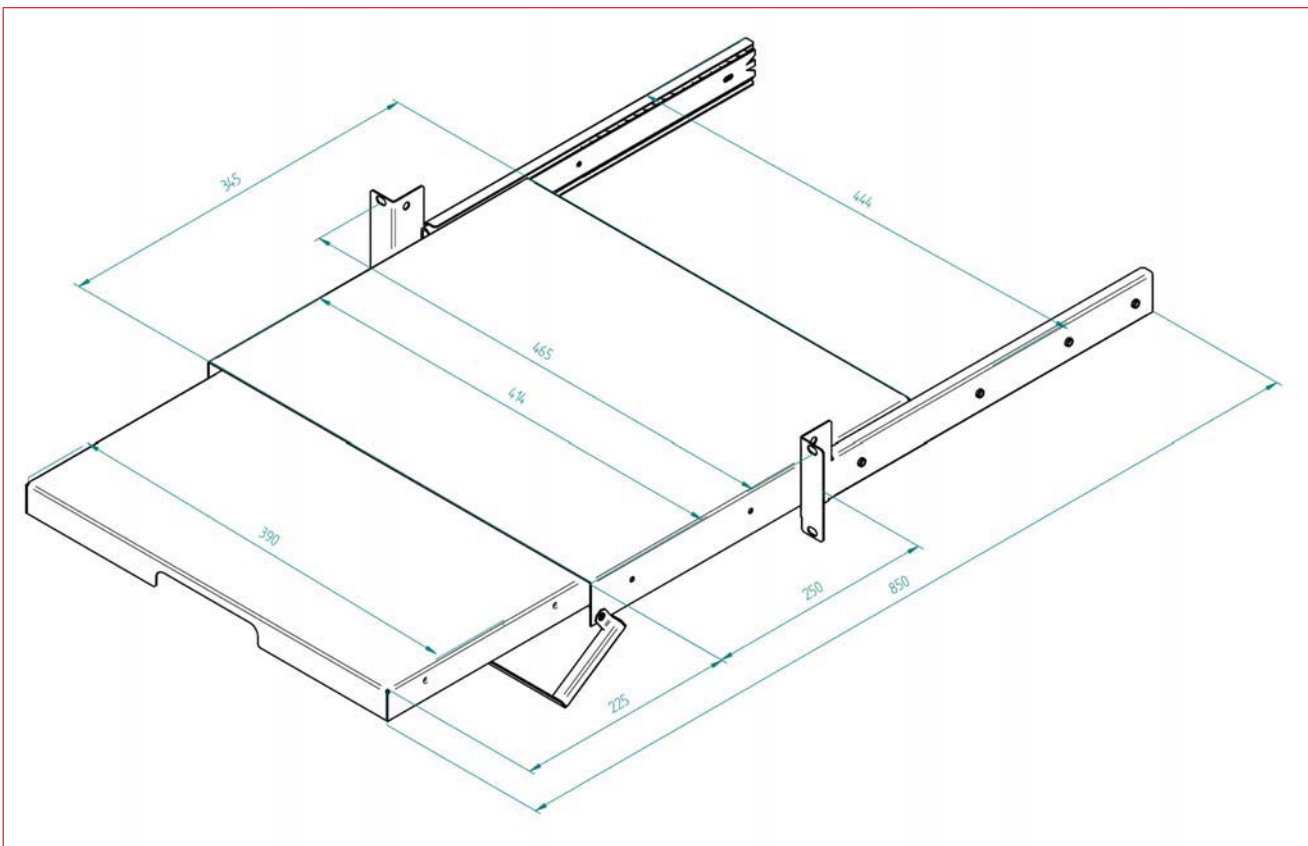
DFK24837


### SCHRACK-INFO

Shelves are used for equipment that has no 19"-installation possibility. To increase stability and maximum possible load, we recommend 4-point (front and rear) fixing of the shelves to the 19"-vertical rails. Rear 19"-mounting brackets are included in delivery. These sliding keyboard shelves are designed for comfortable use and storage of a keyboard and a computer mouse.

- Powder coated steel sheet
- Color: RAL7035 (lightgrey)
- Load capability: 25kg.
- Pull-out mouse drawer.
- Lockable, two keys included.
- Used height: 2U.
- Width for equipment: 416mm.
- Rear 19"-mounting brackets are included in delivery.
- Included assembly materials: 8x cage nuts, bolts and washers M6.

### DIMENSIONS



DESCRIPTION	AVAILABLE	ORDER NO.
19" Shelf for keyboard and mouse, up to 25kg Load, D=350mm, 2U, RAL7035		<b>DFK24837</b>

