

DATA SHEET: FIBER OPTICS SPLICE BOX FOR 19" INSTALLATION



Order Number:
HSELSxyzG

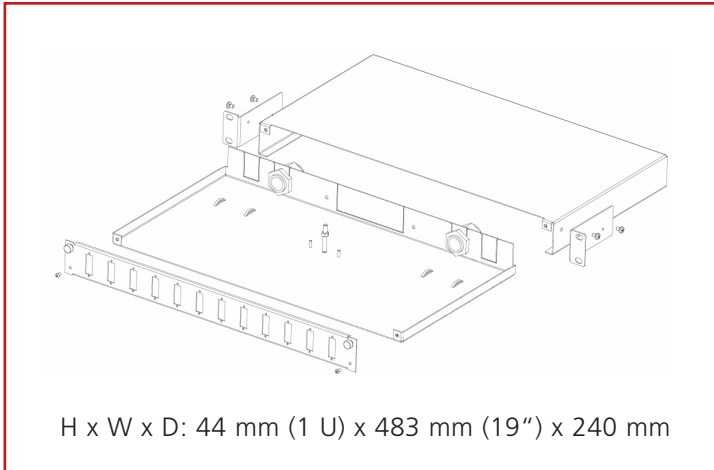
DESCRIPTION

- Chassis
Depth-adjustable using the two 19" brackets
- Sliding tray design:
for 24 ST / FC couplers
for 12 SC duplex couplers
for 12 LC duplex couplers
- Blind covers are used to close off unused front holes
- Four break-away style openings for M20 cable-gland
- One break-away style opening for optional available cable strain-relief (HSELSFTTDM)
- Material: zinc-coated steel, frontpanel and 19" brackets: powder-coated
- Sheet steel thickness: box 1,0 mm
sliding tray and frontpanel 1,25 mm
19" brackets 1,5 mm

FIBER OPTICS SPLICE-CASSETTES

1 Piece for storing protection sleeves includes two splice organisers for 12 fibres each
(boxes for 16 or more fibers offer 2 splice-cassettes)

■ DIMENSIONS



■ PIGTAILS

ST, FC/PC, SC and LC, length 2 m, with ceramic ferrule

| | Multimode | | Singlemode | |
|---------------------|----------------|---------|----------------|---------|
| | Standard (min) | Typical | Standard (min) | Typical |
| | dB | dB | dB | dB |
| Insertion Loss (IL) | 0,5 | < 0,25 | 0,5 | < 0,25 |
| Return Loss (RL) | 20 | > 25 | 35 | > 35 |

All values in this data sheet are nominal.

■ STANDARD

EN 50173-1, EN 61300-3-6, EN 61300-3-34

■ ORDER NUMBER

- xx: Number of optical fibres (enclosed pigtails)
- y: FO Category Pigtail:
 - 5: 50/125 μ m OM2
 - 6: 62,5/125 μ m OM1
 - 3: 50/125 μ m OM3
 - 9: 9/125 μ m OS2
 - 4: 50/125 μ m OM4
- z: Connectors: T: ST, Body made from metal
 - C: SC duplex, Body made from plastic
 - F: FC/PC, Body made from metal
 - L: LC duplex, Body made from plastic