

Shelves Fixed Low Profile 19"



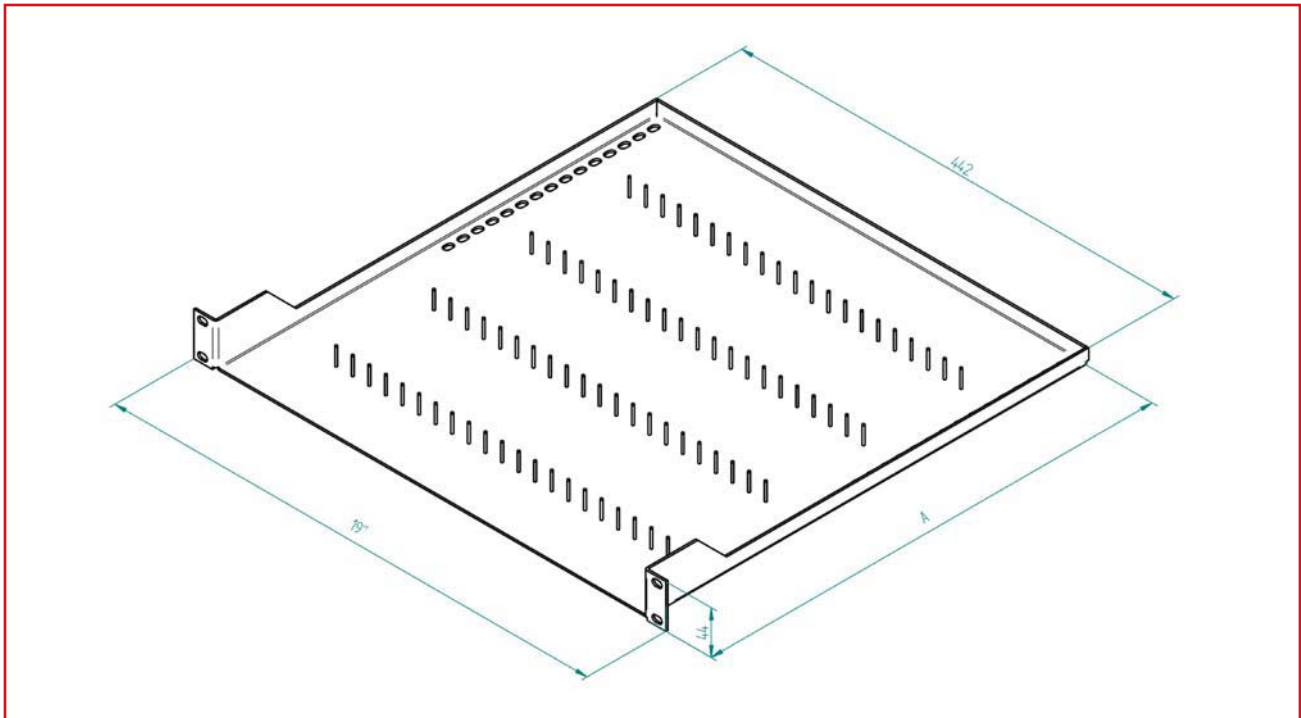
DFS14845-A

SCHRACK-INFO

Shelves are used for equipment that has no 19"-installation possibility. To increase stability and maximum possible load, we recommend 4-point (front and rear) fixing of the shelves to the 19"-vertical rails. Rear 19"-mounting brackets are included from 350mm deep shelves. Due to special U-shape construction of the Low Profile shelves, also the height, where the shelf is installed, can be used for components.

- Powder coated steel sheet
- Color: RAL7035 (lightgrey).
- Perforated for optimized air-flow inside the cabinet.
- High load capability of up to 40 kg, depending on depth.
- No loss on height units.
- Width for equipment: 440mm.
- Back side of shelf can be installed behind or before rear 19"-vertical rails.
- Included assembly materials:
 - Depth 150 to 250 mm: 4x cage nuts, bolts and washers M6.
 - Depth 350 to 950 mm: 8x cage nuts, bolts and washers M6

DIMENSIONS



	A / mm	B / mm	C / mm	Mounting brackets included	Maximum load / kg
DFS14815-A	150	442	44	2	15
DFS14825-A	250	442	44	2	20
DFS14835-A	350	442	44	4	40
DFS14845-A	450	442	44	4	40
DFS14855-A	550	442	44	4	40
DFS14865-A	650	442	44	4	40
DFS14875-A	750	442	44	4	40

DESCRIPTION	AVAILABLE	ORDER NO.
19" Shelf Fix, up to 15kg Load, D=150mm, Low Profile, RAL7035		DFS14815-A
19" Shelf Fix, up to 20kg Load, D=250mm, Low Profile, RAL7035		DFS14825-A
19" Shelf Fix, up to 40kg Load, D=350mm, Low Profile, RAL7035		DFS14835-A
19" Shelf Fix, up to 40kg Load, D=450mm, Low Profile, RAL7035		DFS14845-A
19" Shelf Fix, up to 40kg Load, D=550mm, Low Profile, RAL7035		DFS14855-A
19" Shelf Fix, up to 40kg Load, D=650mm, Low Profile, RAL7035		DFS14865-A
19" Shelf Fix, up to 40kg Load, D=750mm, Low Profile, RAL7035		DFS14875-A

