

VERSION EMPTY						
Type	No EN 50022 modules	Code	Scheme	Predisposition	Power dissipation	Static loads
	5	GW 68 017 N		1 IEC 309 16A socket-outlet IP44/67 or GW 27 401 watertight cap	10 W	3 Kg
		GW 68 018 N		2 IEC 309 16A socket-outlets IP44/67 or GW 27 401 watertight caps		
		GW 68 001 N		3 IEC 309 16A socket-outlets IP44/67 or GW 27 401 watertight caps		
		GW 68 031 N		3 IEC 309 16A socket-outlets IP44/67 or GW 27 401 watertight caps and shockproof case		
		GW 68 020 N		2 IEC 309 16-32A socket-outlets IP44/67 or GW 27 401 watertight caps		
		GW 68 026 N		4 domestic socket std 50x50mm IP54		
		GW 68 032 N		4 domestic socket std 50x50mm IP54 and shockproof case		
	10	GW 68 002 N		Blank	16 W	8 Kg
		GW 68 003 N		2 IEC 309 16A socket-outlets max 3P+T IP44/67 or GW 27 401 watertight caps 2 IEC 309 16-32A socket-outlets IP44/67 or GW 27 401 watertight caps		
		GW 68 019 N		2 horizontal 16-32A interlocked switched socket-outlets IP44 with rotary switch		
		GW 68 025 N		2 vertical 16-32A interlocked switched socket-outlets IP67		
		GW 68 027 N		3 domestic socket std 50x50mm IP54 2 IEC 309 socket-outlets 16-32A IP44/67		
	14	GW 68 004 N		Blank	24 W	12 Kg
		GW 68 005 N		3 IEC 309 16-32A socket-outlets IP44/67 or GW 27 401 watertight caps		
		GW 68 006 N		2 horizontal 16-32A interlocked switched socket-outlets IP44 with rotary switch		
		GW 68 007 N		Blank		
		GW 68 008 N		6 IEC 309 16-32A socket-outlets IP44/67 or GW 27 401 watertight caps		
		GW 68 009 N		4 horizontal 16-32A interlocked switched socket-outlets IP44 with rotary switch		
		GW 68 010 N		3 vertical 16-32A interlocked switched socket-outlets IP67		
	20	GW 68 012 N		Blank	30 W	15 Kg
		GW 68 013 N		8 IEC 309 16-32A socket-outlets IP44/67 or GW 27 401 watertight caps		
		GW 68 021 N		4 IEC 309 16-32A socket-outlets IP44/67 or GW 27 401 watertight caps 4 IEC 309 63A socket-outlets		
		GW 68 014 N		4 horizontal 16-32A interlocked switched socket-outlets IP44 with fuse-holder base		
		GW 68 015 N		4 vertical 16-32A interlocked switched socket-outlets IP67 4 IEC 309 16A 2P+T socket-outlets IP44/67 or GW 27 401 watertight caps		
		GW 68 022 N		2 vertical 16-32A interlocked switched socket-outlets IP67 1 vertical 63A interlocked switched socket-outlets IP67		
	14	GW 68 023 N		Additional 14-module module	25 W	5 Kg
	20	GW 68 024 N		Additional 20-module module	35 W	

**COMPLEMENTARY ITEMS**

			<b>Code</b>	<b>No. DIN modules</b>
	<b>Metal tube support</b>		<b>GW 68 431</b>	10
			<b>GW 68 433</b>	14 / 20
	<b>Metal tube carriage</b>		<b>GW 68 432</b>	14 / 20
	<b>Pole fixing brackets</b>		<b>GW 46 552</b>	14
			<b>GW 46 553</b>	20
	<b>Brackets for surface-mounting</b>		<b>GW 46 446</b>	10 / 14 / 20
			<b>GW 46 451</b>	
	<b>Brackets for surface-mounting</b>		<b>GW 44 621</b>	5
	<b>Mushroom-head emergency button, diameter 40mm</b>		<b>GW 74 361</b> <b>GW 74 362</b> <b>GW 74 363</b> <b>GW 74 364</b> <b>GW 74 365</b> <b>GW 74 366</b> <b>GW 74 367</b>	10 / 14 / 20 / 5 (only GW68026N GW68032N)
	<b>Contacts - ITH= 10A - 250V AC</b>		<b>GW 74 501 (NO)</b>	Green
			<b>GW 74 502 (NC)</b>	Red
	<b>Insulated earth and neutral terminal blocks</b>		<b>GW 40 401 - GW 40408B</b> <b>GW 40 408U</b>	10
			<b>GW 40 401 - GW 40402</b> <b>GW 40 408B - GW 40 408U</b> <b>GW 40 412B - GW 40412U</b>	14 / 20
	<b>Cylinder security lock</b>		<b>GW 40 422</b>	10 / 14 / 20 / additional module
	<b>Handle for transport</b>		<b>GW 68 436N</b>	10 / 14 / 20 / additional module
	<b>Adapter flange</b>		<b>GW 66 715N</b>	For vertical socket-outlet 16/32A IP67
			<b>GW 66 716N</b>	For vertical socket-outlet 63A IP67
	<b>Watertight cap for 2 System range modules</b>		<b>GW 27 401</b> <b>GW 27 403</b>	Suitable for 2 System range modules
	<b>Back-mounting plate in insulating material</b>		<b>GW 44 626</b>	10
			<b>GW 44 627</b>	14
			<b>GW 44 628</b>	20



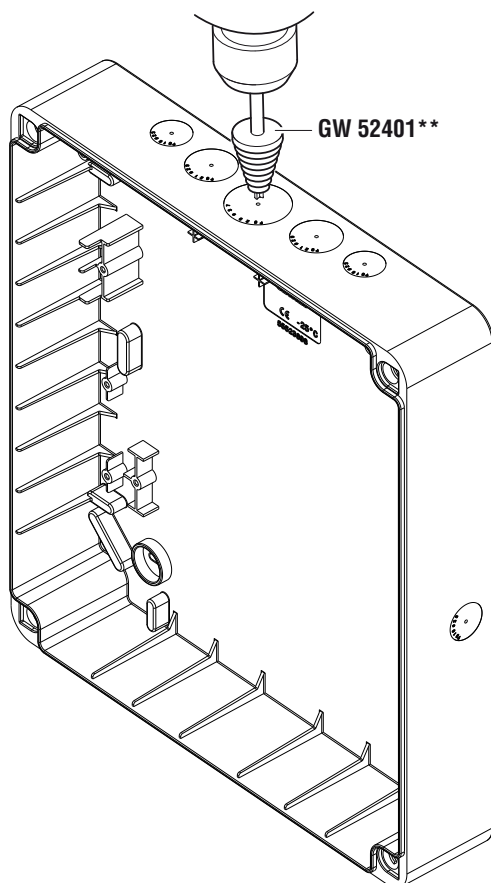
A unique insulating system applied to live parts to ensure a degree of protection against electrical contacts even in case of failure of the main insulation system. This action prevents the occurrence of a dangerous residual voltage on accessible parts, particularly when the main insulation system is no longer capable of working as specified. Complete insulation of the Q-DIN is guaranteed for construction by using the special module covering masks.

## IP65

To ensure the declared rating of protection use the following accessories.

Use the screw-caps to close the screw fastener seats, or alternatively use the wall fixing brackets

## INLETS

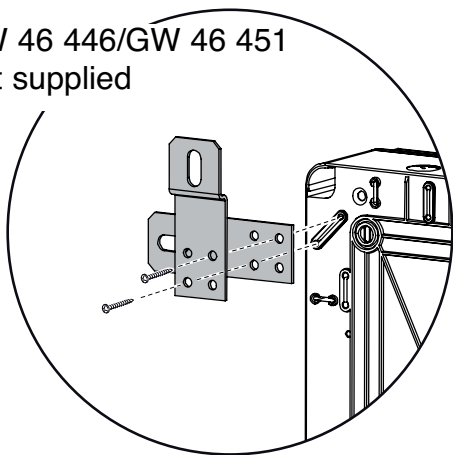


	50 AC	SERIE 52 PGT	52 PG
NUMBER OF KNOCKOUT HOLES ON EACH HEAD			
	Ø 23	Ø 29	Ø 37
Q - DIN 5	0	1	0
Q - DIN 10	2	1	0
Q - DIN 14	2	2	1
Q - DIN 20	2	2	3

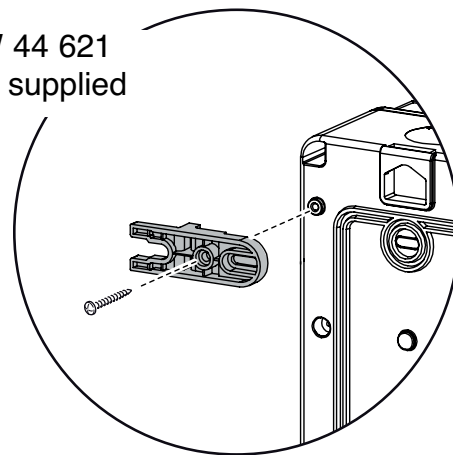
\*\*Use a multi-diameter cutter (not supplied) to make the inlets

# ASSEMBLING A WALL

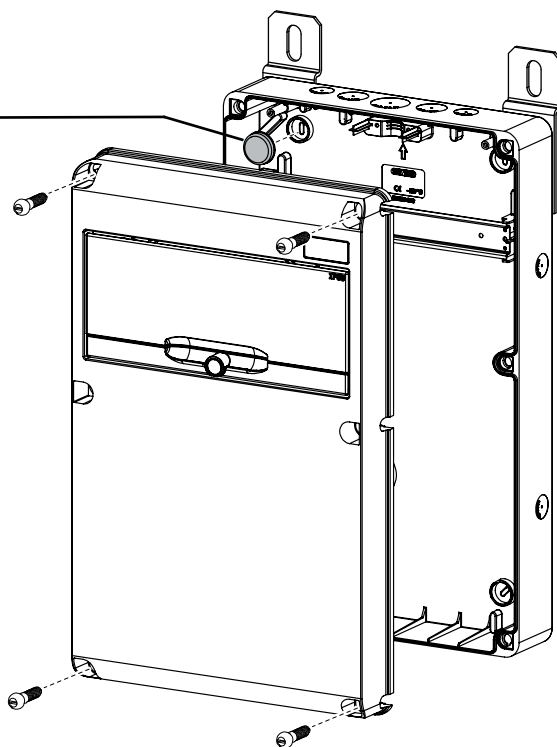
GW 46 446/GW 46 451  
Not supplied



GW 44 621  
Not supplied

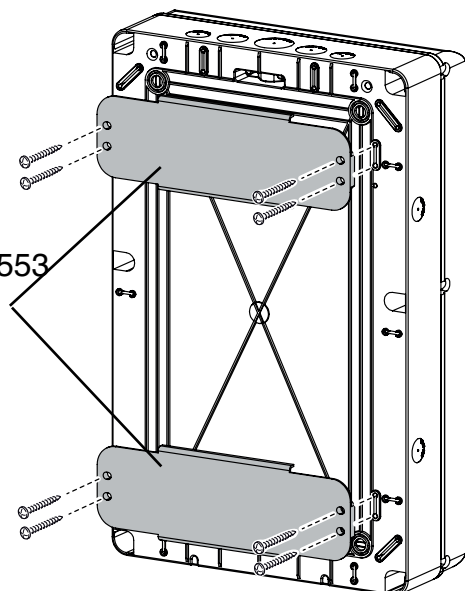


Supplied

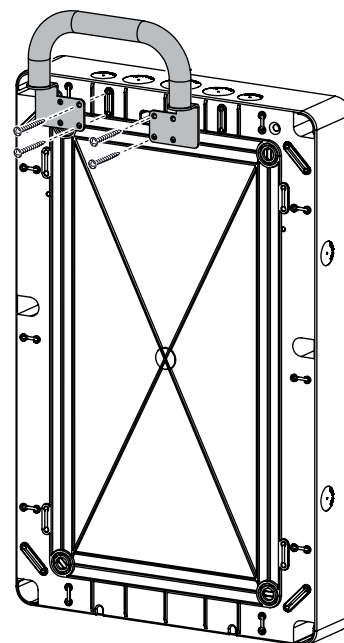


## ASSEMBLY OF BRACKETS FOR POLE

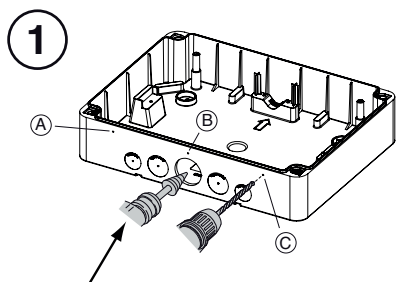
GW 46 552/GW 46 553  
Not supplied



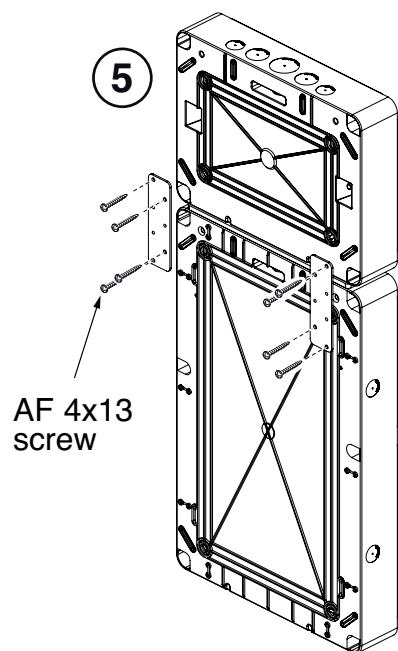
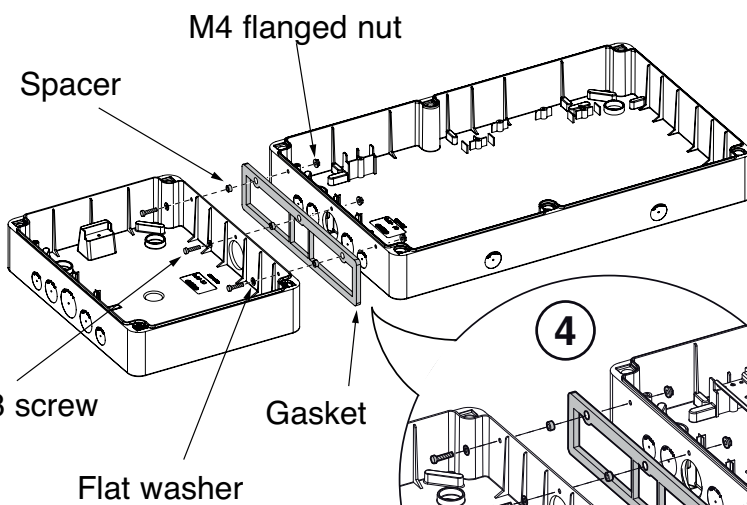
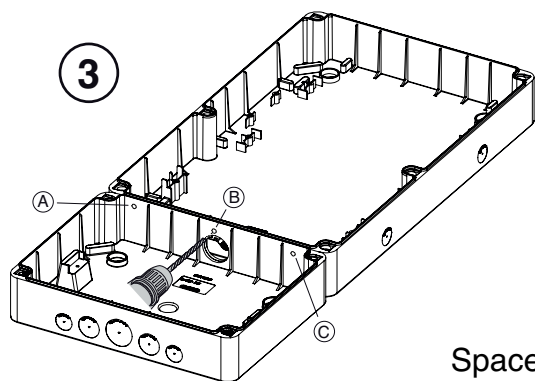
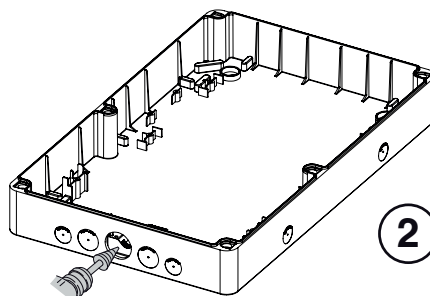
## ASSEMBLY OF HANDLE



# ASSEMBLY ADDITIONAL MODULE





GW 52 401  
Not supplied

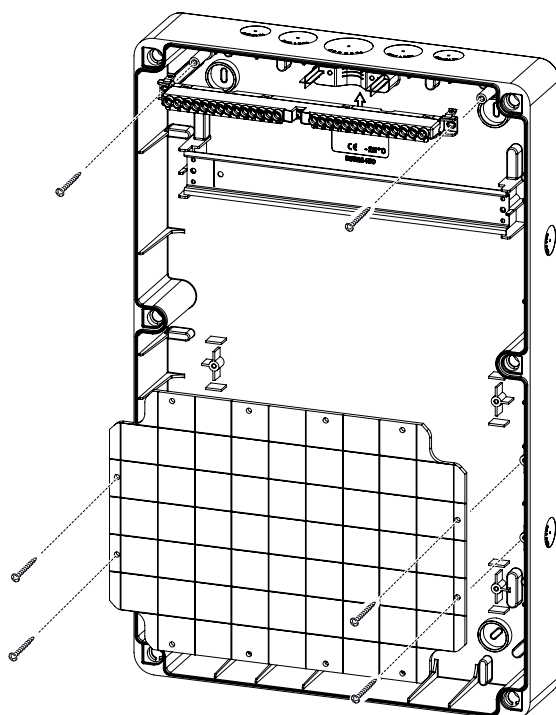


AF 4x13  
screw

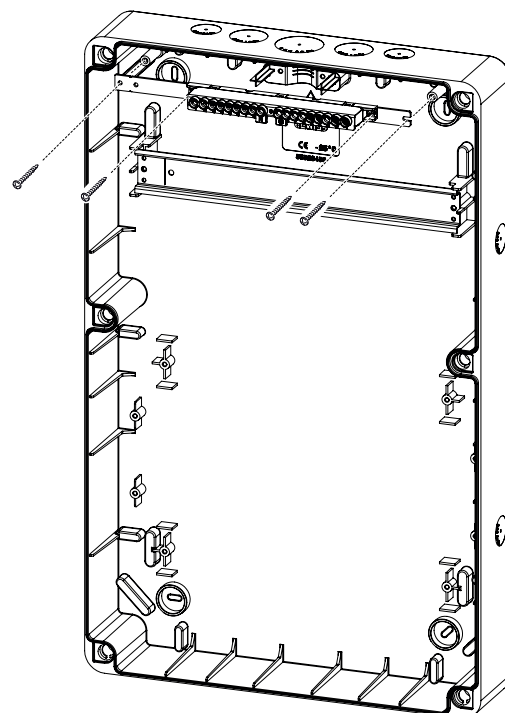
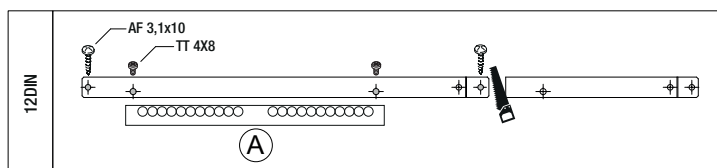
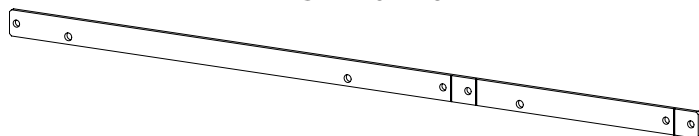
**WARNING: fix the Q-DIN complete with additional module to a wall only, using the GW 46 446/GW 46 451 brackets.**

# ASSEMBLY TERMINAL BLOCKS

							
	(A)						
	GW 40 401	GW 40 408B	GW 40 408U	GW 40 402	GW 40 412B	GW 40 412U	GW 40 422U
	125A - 2P	80A - 2P	80A - 1P	125A - 2P	80A - 2P	80A - 1P	80A - 1P
1P	n°1x25mm <sup>2</sup> n°7x10mm <sup>2</sup>	n°2x16mm <sup>2</sup> n°7x10mm <sup>2</sup>	n°2x16mm <sup>2</sup> n°7x10mm <sup>2</sup>	n°3x25mm <sup>2</sup> n°10x10mm <sup>2</sup>	n°3x16mm <sup>2</sup> n°11x10mm <sup>2</sup>	n°3x16mm <sup>2</sup> n°11x10mm <sup>2</sup>	n°3x16mm <sup>2</sup> n°29x10mm <sup>2</sup>

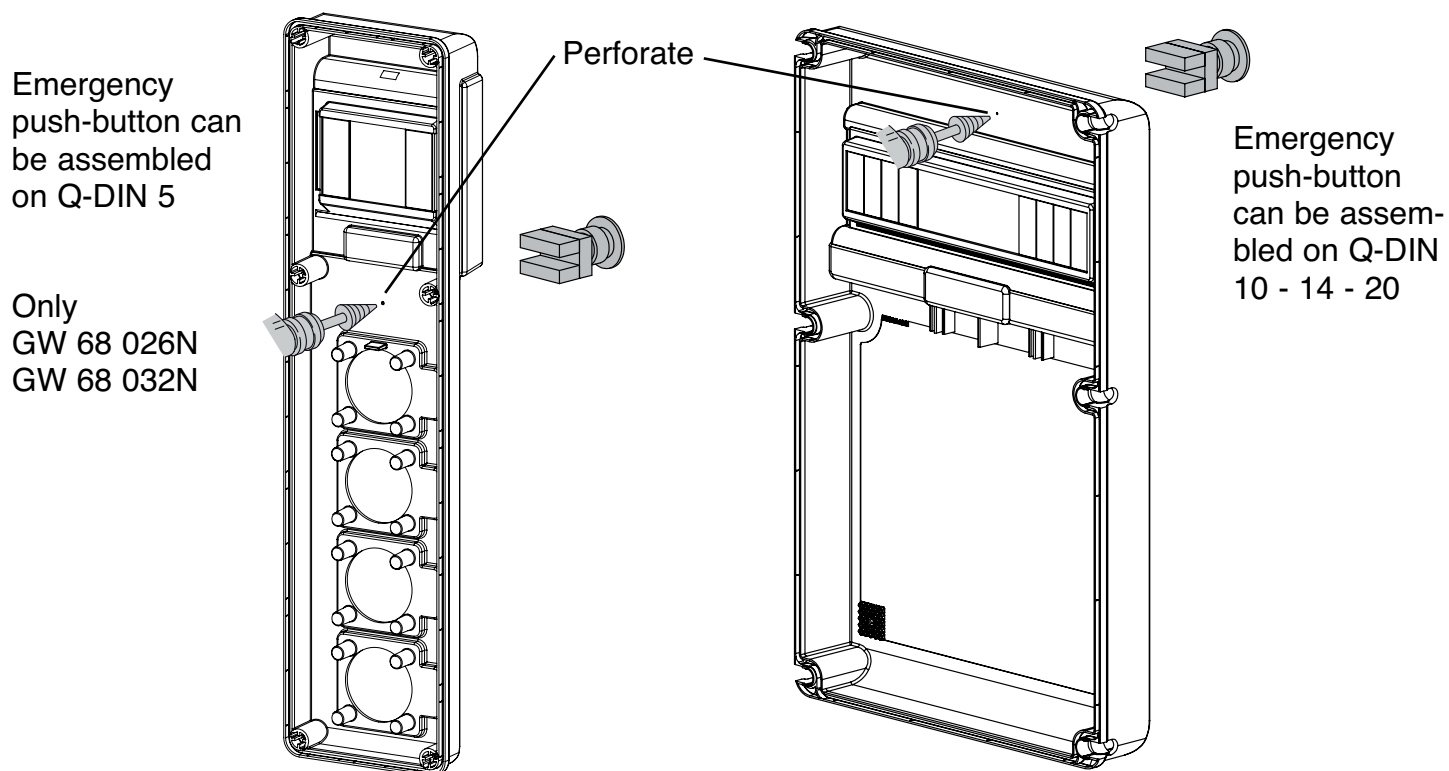


GW 40 413



## ASSEMBLY MUSHROOM-HEAD EMERGENCY BUTTON

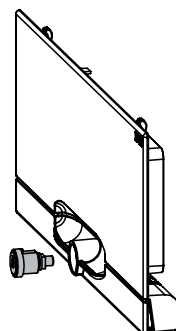
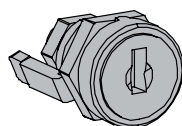
---



## ASSEMBLY CYLINDER SECURITY LOCK

---

**WARNING:** the lever of the lock must only be assembled in the position shown in the figure.

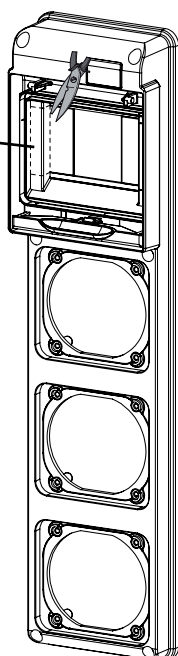


Lock can be assembled on Q-DIN 10 - 14 - 20

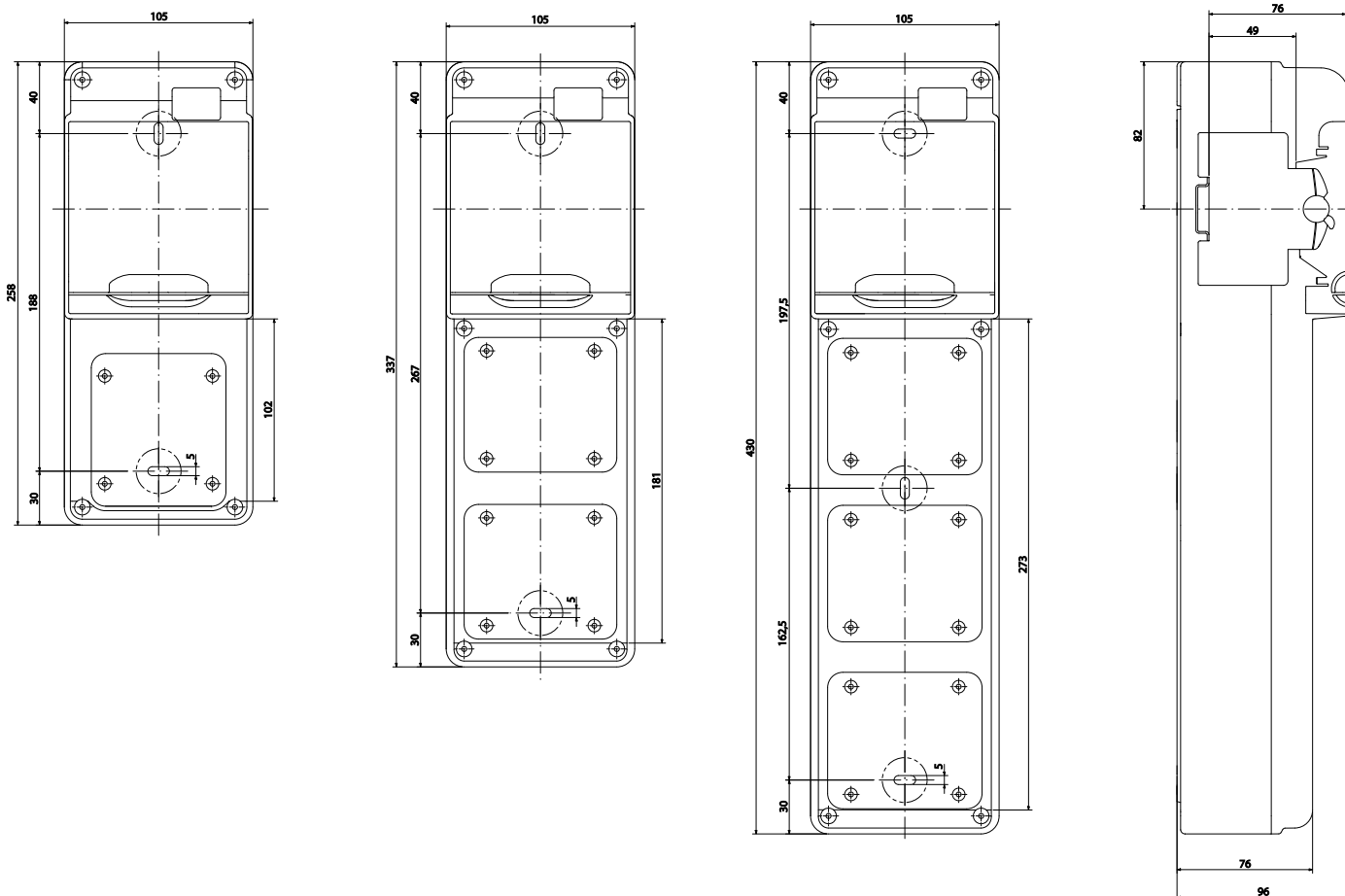
## INSERTION THE 5th MODULE

---

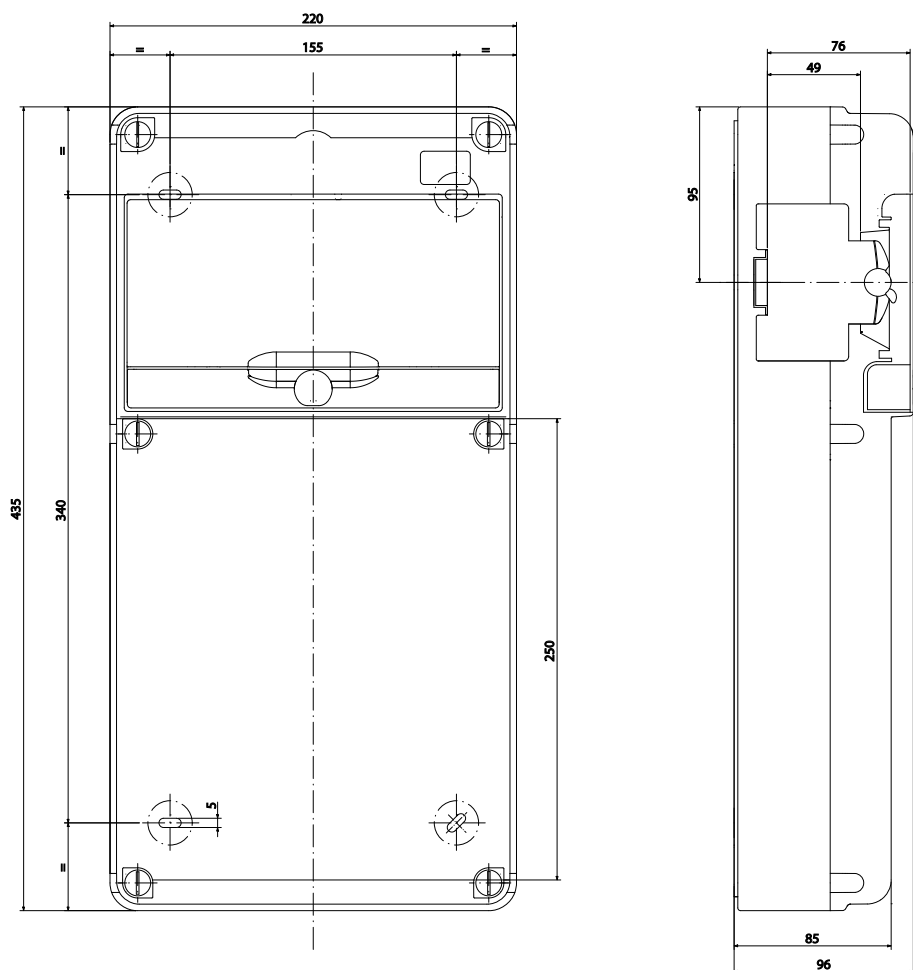
To insert the 5th module, cut the side shown in the figure.



# Q-DIN 5-MODULE BOARD

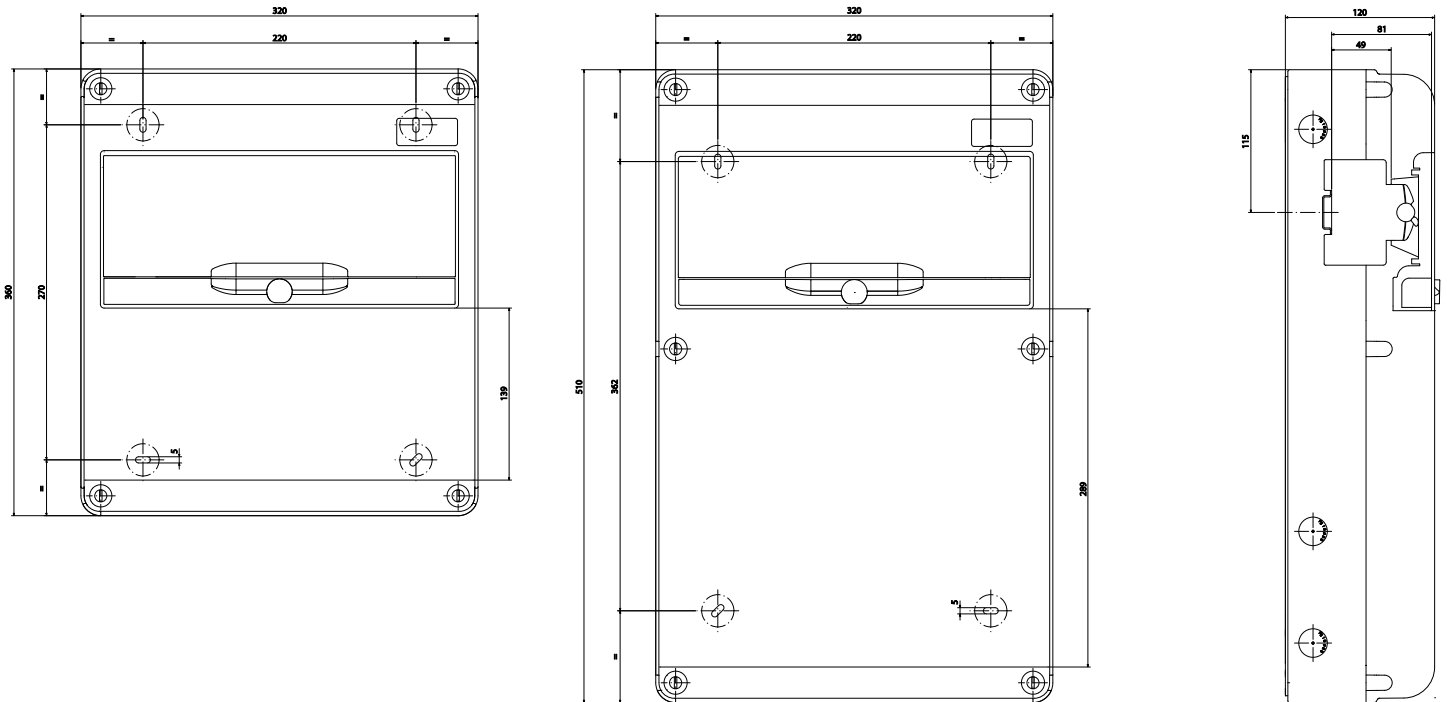


# Q-DIN 10-MODULE BOARD

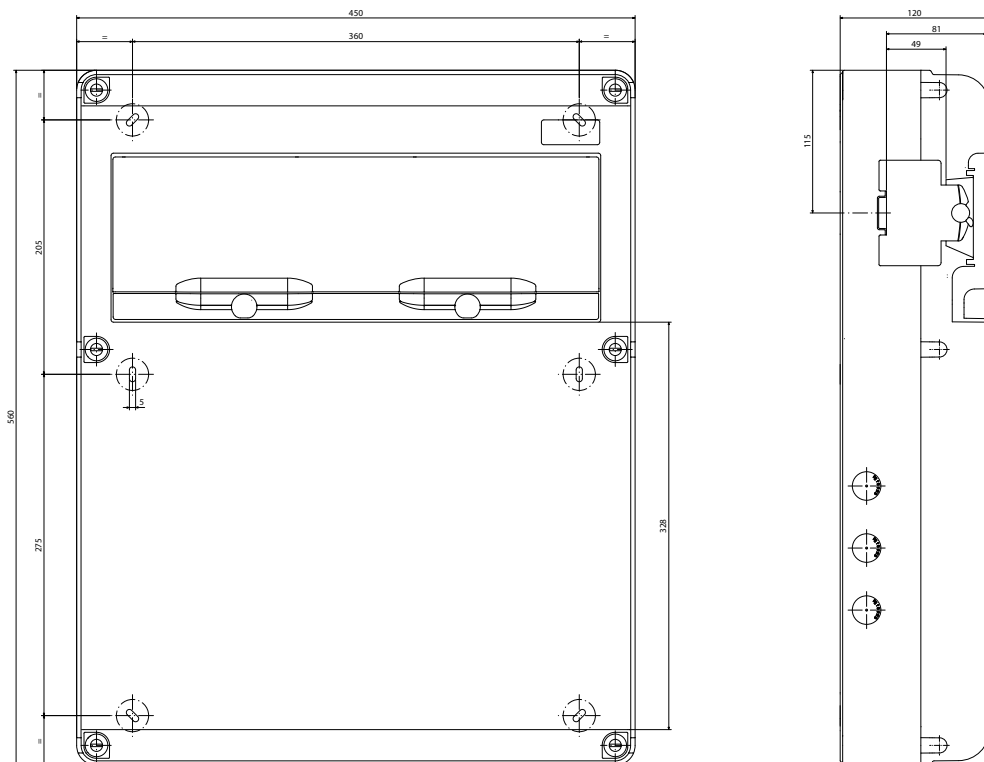




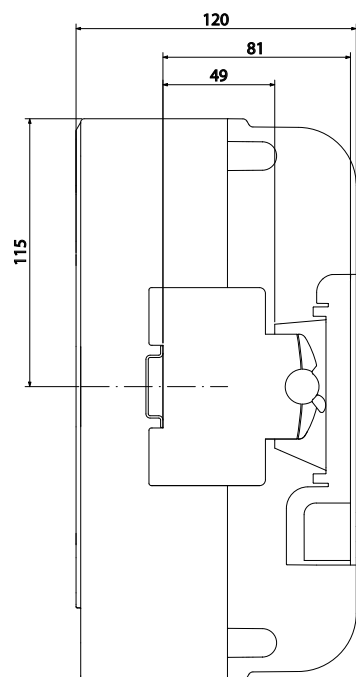
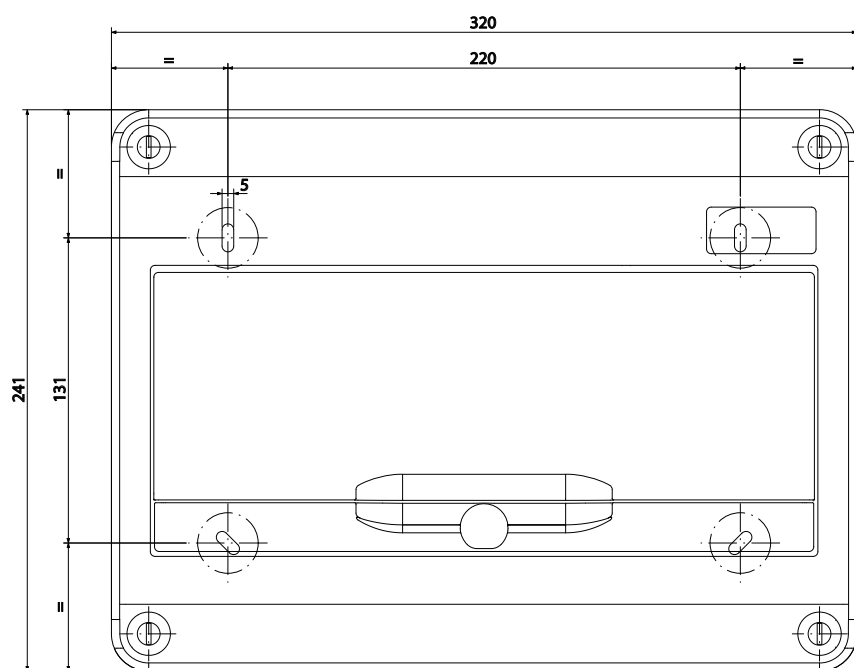
# Q-DIN 14-MODULE BOARD



# Q-DIN 20-MODULE BOARD

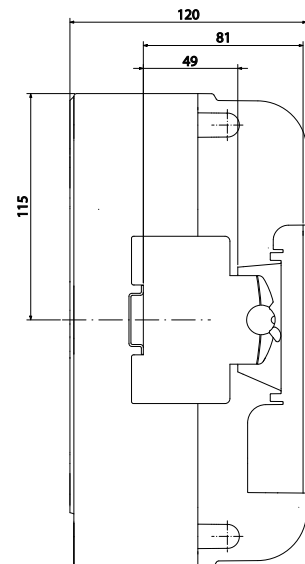
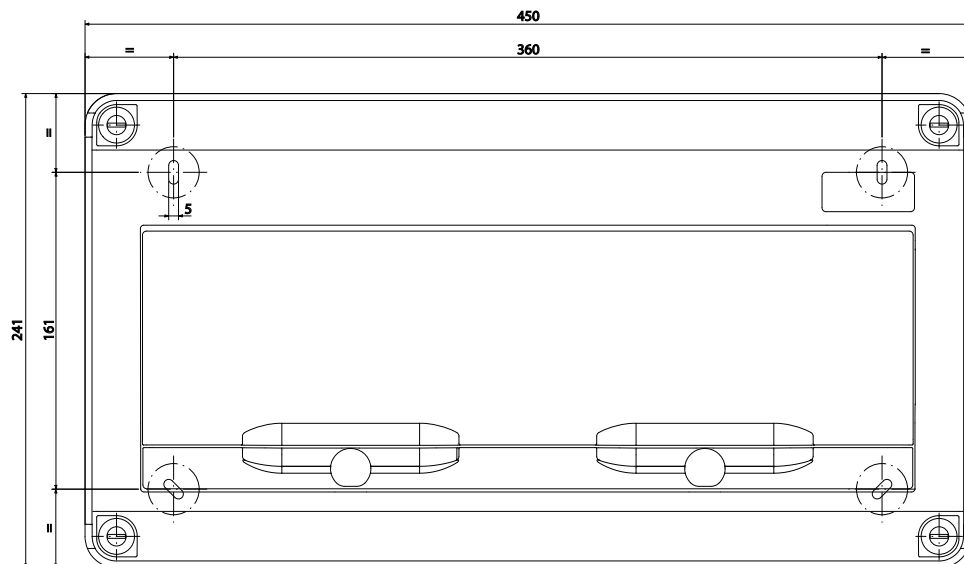


## Q-DIN 14-MODULE BOARD ADDITIONAL MODULE



cod. 7.55.4.184.7\_EN

## Q-DIN 20-MODULE BOARD ADDITIONAL MODULE



Ai sensi delle Decisioni e delle Direttive Europee applicabili, si informa che il responsabile dell'immissione del prodotto sul mercato Comunitario è:

According to the applicable Decisions and European Directives, the responsible for placing the apparatus on the Community market is:

**GEWISS S.p.A. Via A.Volta, 1 IT-24069 Cenate Sotto (BG) Italy Tel: +39 035 946 111 Fax: +39 035 946 270 E-mail: [qualitymarks@gewiss.com](mailto:qualitymarks@gewiss.com)**



**+39 035 946 111**

8.30 - 12.30 / 14.00 - 18.00  
lunedì ÷ venerdì - monday ÷ friday



**+39 035 946 260**



**sat@gewiss.com**  
**www.gewiss.com**

ULTIMA REVISIONE 06/2016