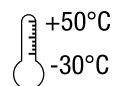
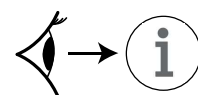
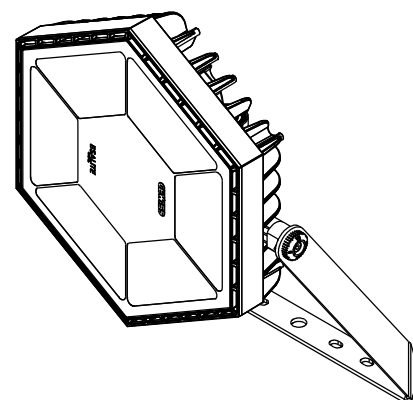
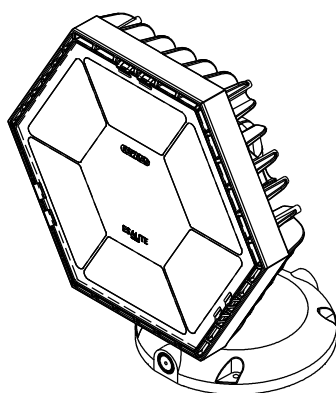
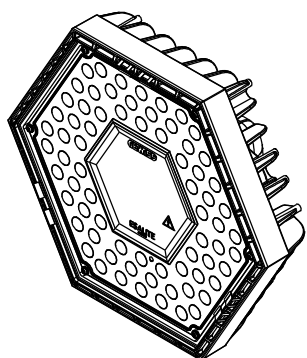


HIGHBAY - FLOODLIGHTS

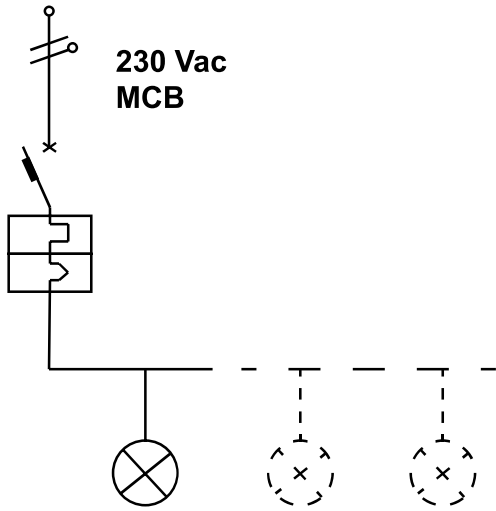


$t_q 25^{\circ}\text{C}$

		IP			
30°		IP65			
60° 90° ELL.		IP65			
		IP66			

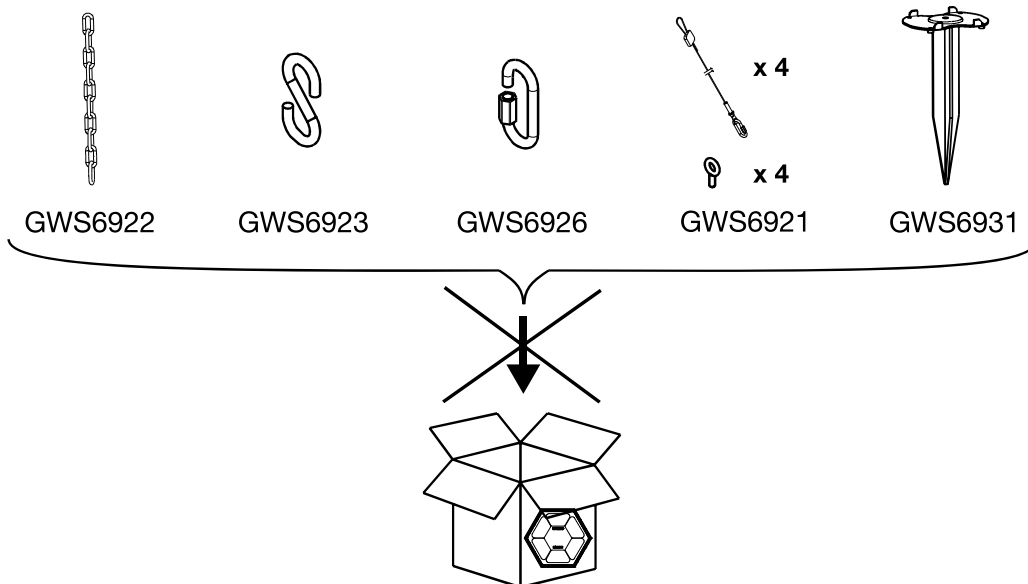
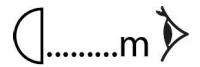
	$I_{LED} (A)$		
	$t_a 50^{\circ}\text{C}$	$t_a 45^{\circ}\text{C}$	$t_a 40^{\circ}\text{C}$
12 K	700 mA	700 mA	700 mA
16 K	600 mA	600 mA	600 mA
20 K	570 mA	650 mA	700 mA

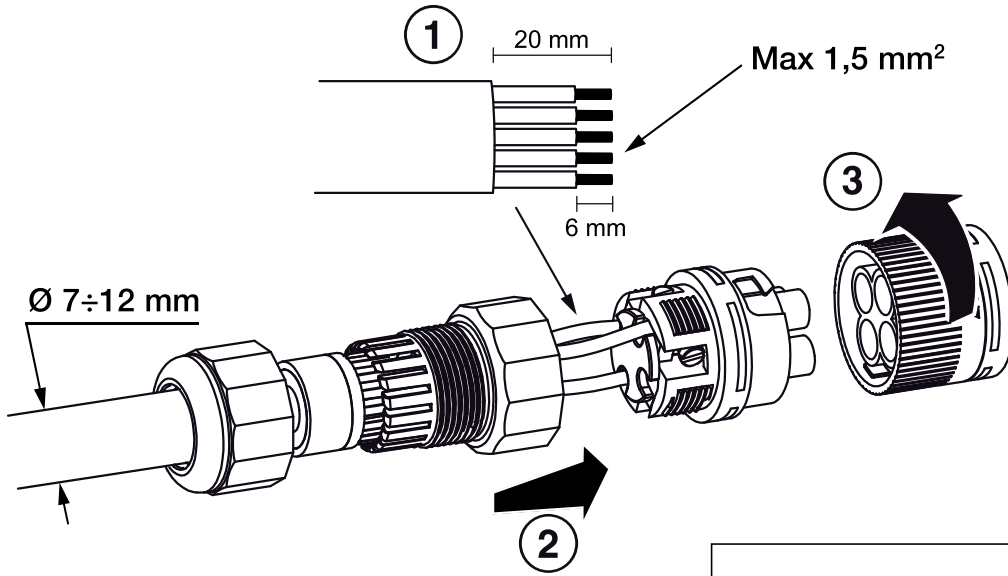
	Kg			
	7,5	Max. 30 m	0,12 m ²	0,05 m ²
	8,5	Max. 30 m	0,14 m ²	0,07 m ²
	9,5	Max. 30 m	0,13 m ²	0,07 m ²



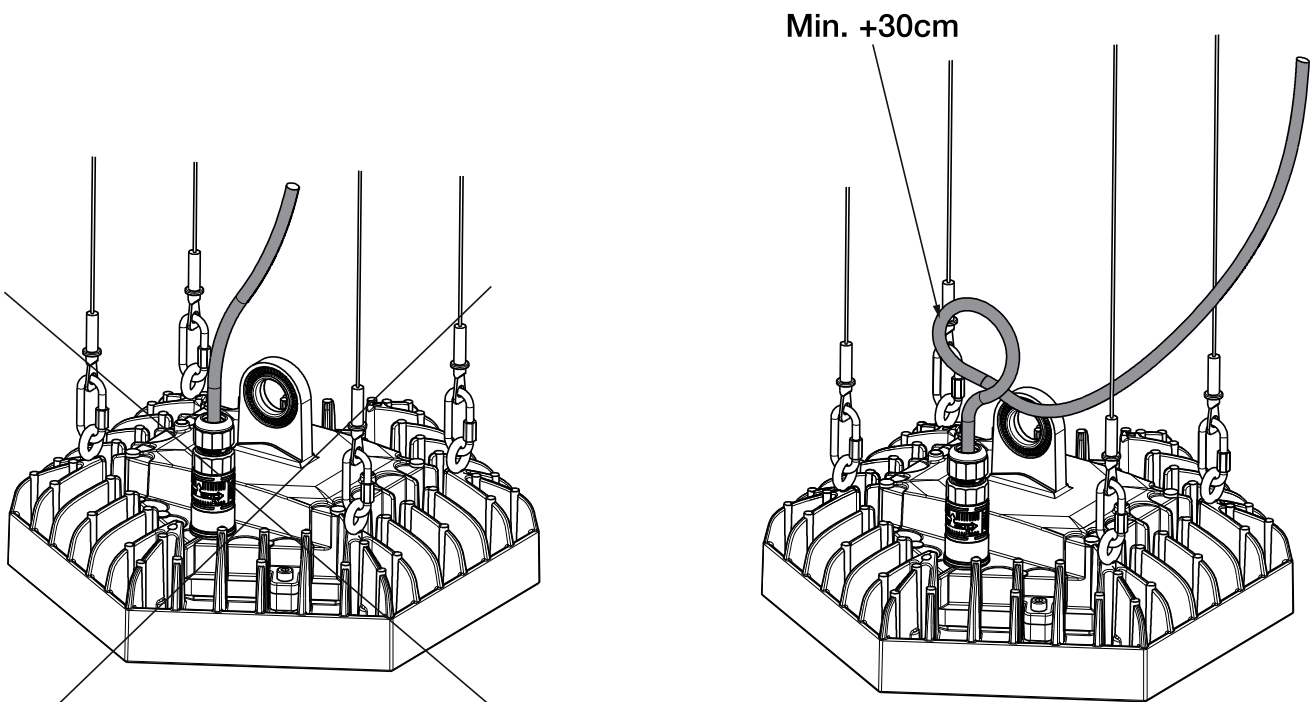
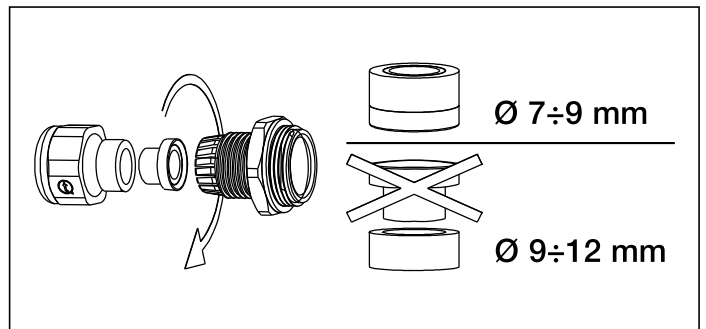
MCB Type C	10A	16A	20A
	2	4	6
MCB Type D	10A	16A	20A
	6	10	12

	$\leq 5700K$			
	30°	60°	90°	Elliptical
	RG1:	RG1:	RG1:	RG1:
	2,5 m	3,5 m	3 m	4 m





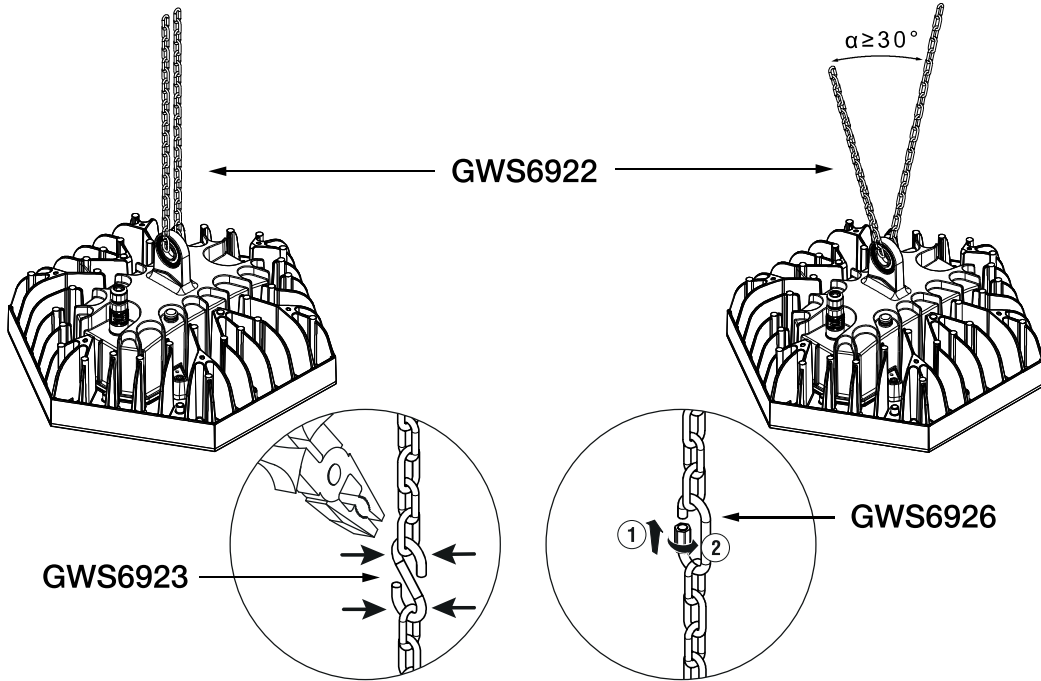
①	=	L
③	=	N
④	=	⊕
②	=	DALI
⑤	=	



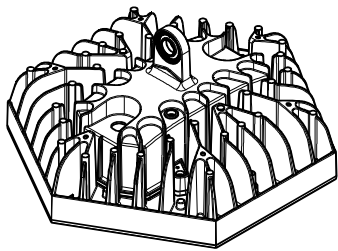


30° - 60° - 90°

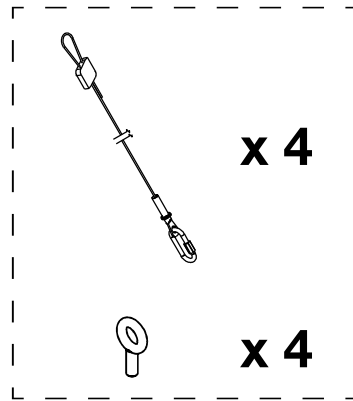
ELLIPTICAL



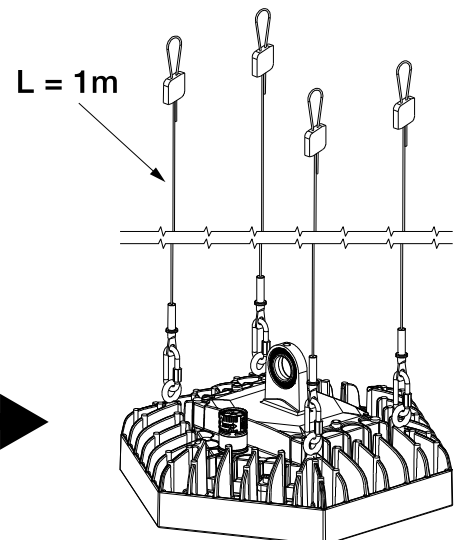
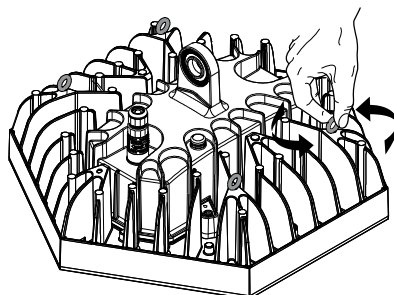
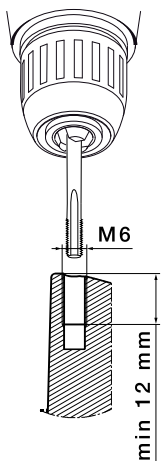
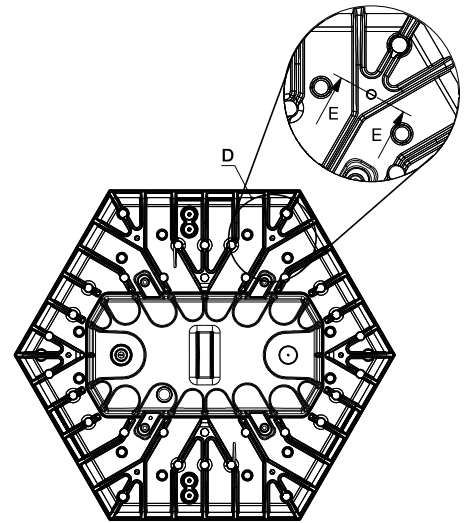
30° - 60° - 90°



+

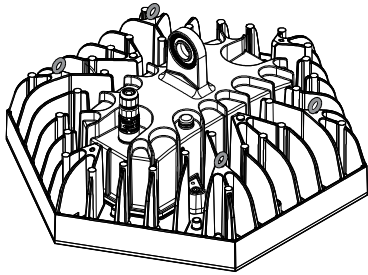


GWS6921

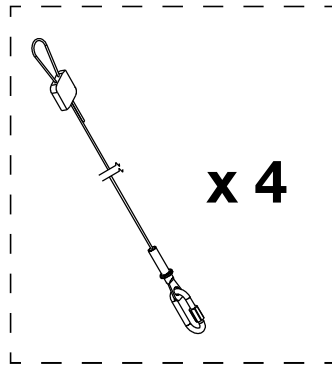




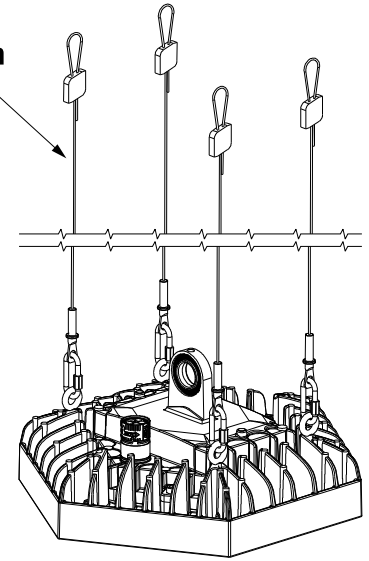
ELLIPTICAL



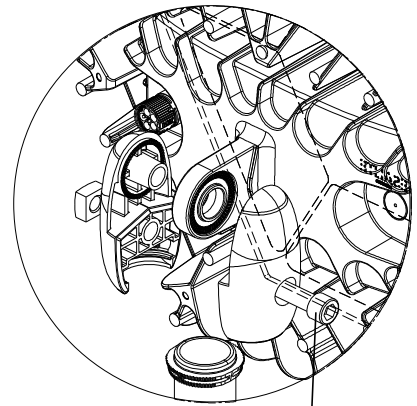
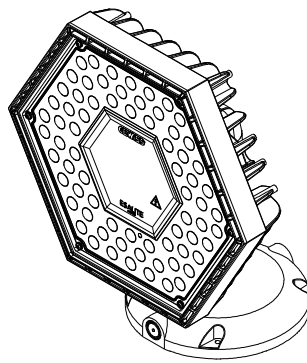
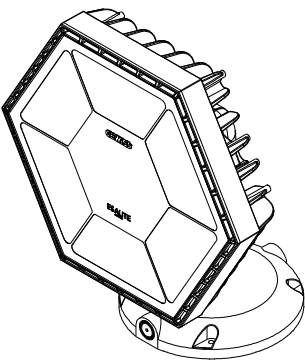
+



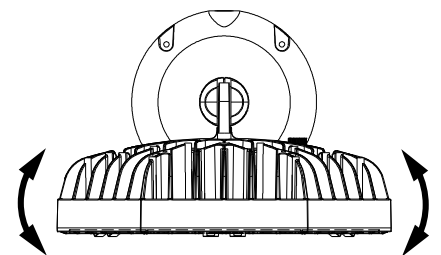
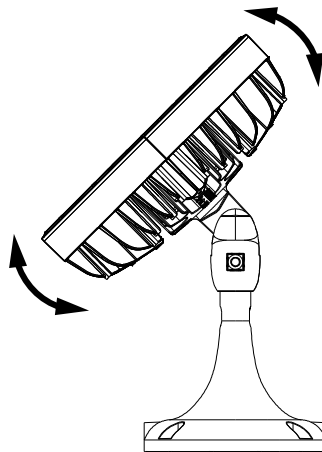
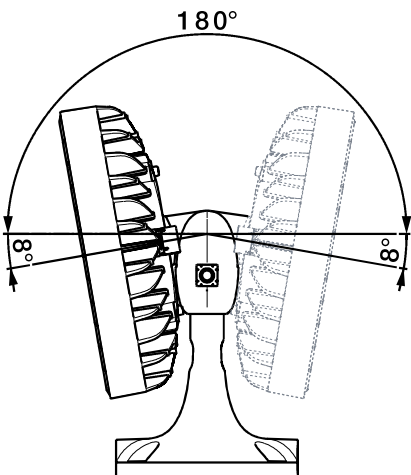
L = 1m

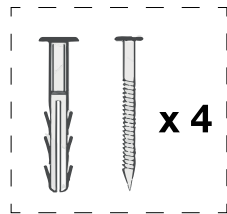
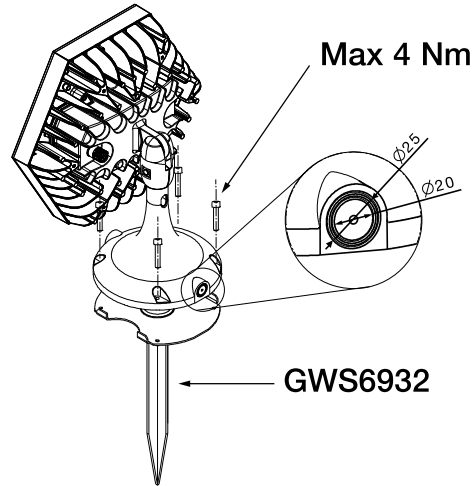
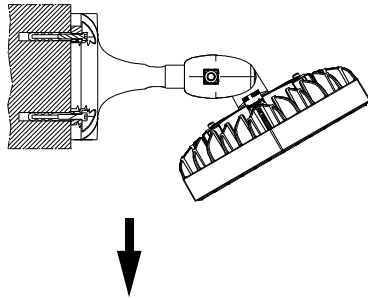
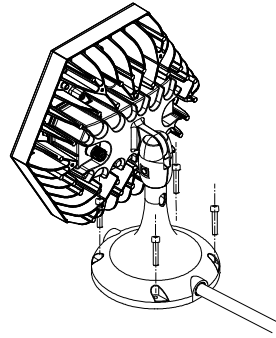
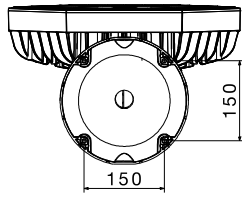


30° - 60° - 90° - ELLIPTICAL

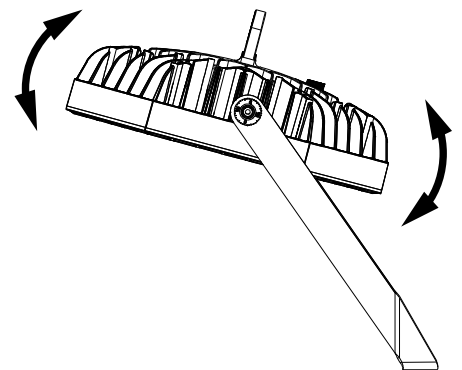
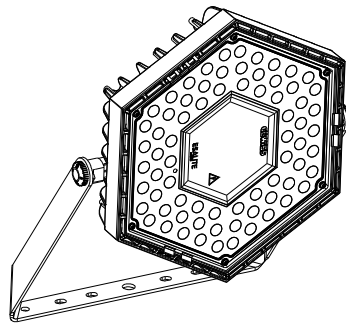
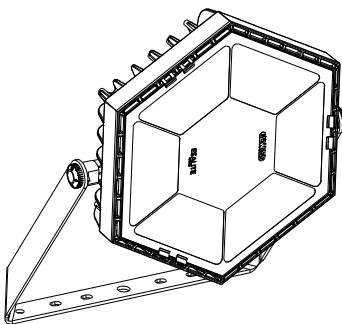


Max 25 Nm

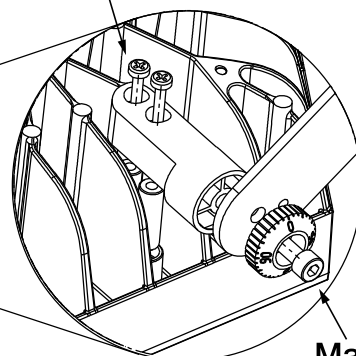
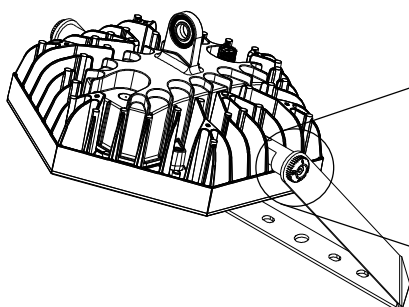




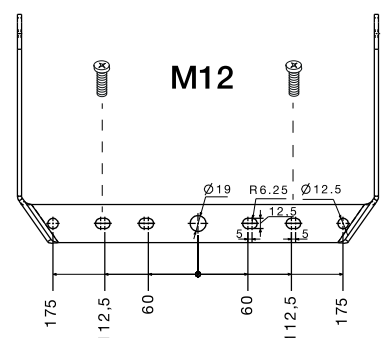
30° - 60° - 90° - ELLIPTICAL



Max 8 Nm

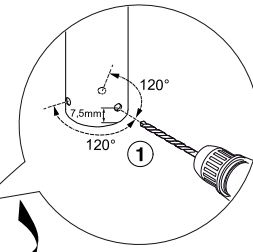
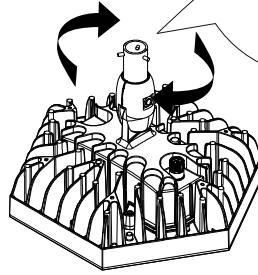
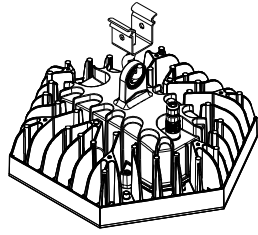


Max 25 Nm

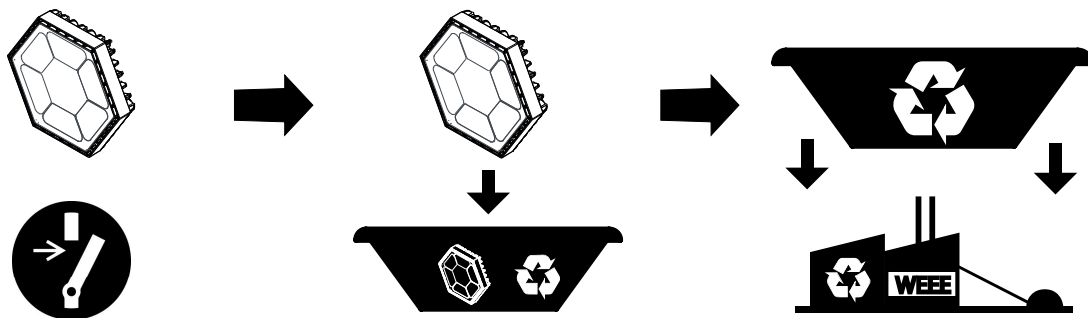
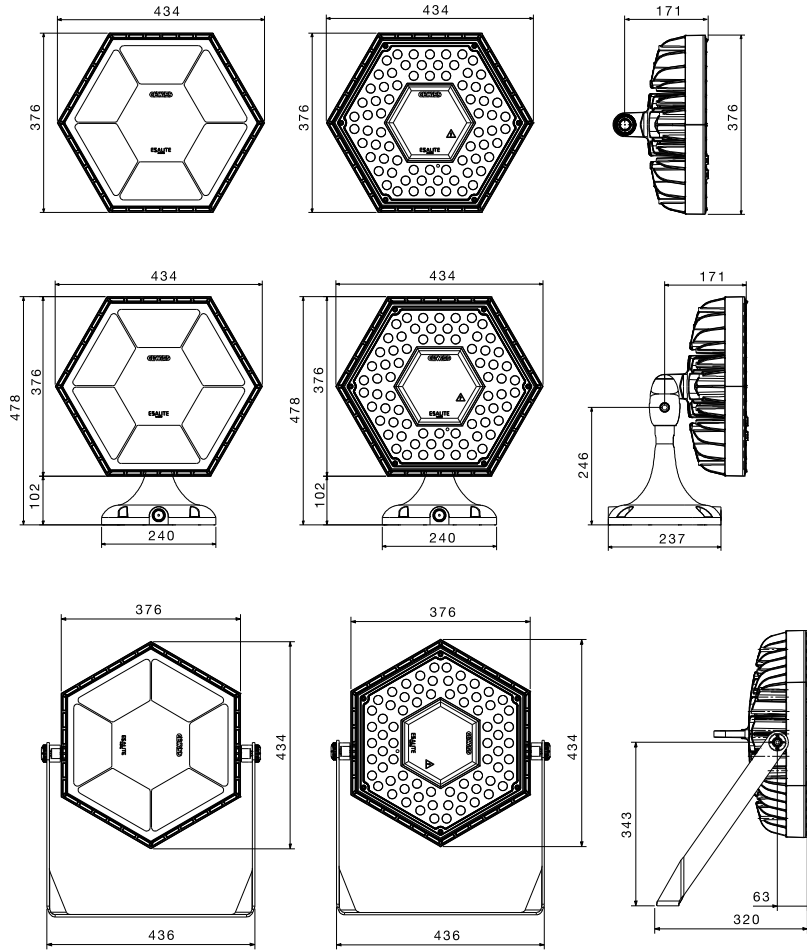
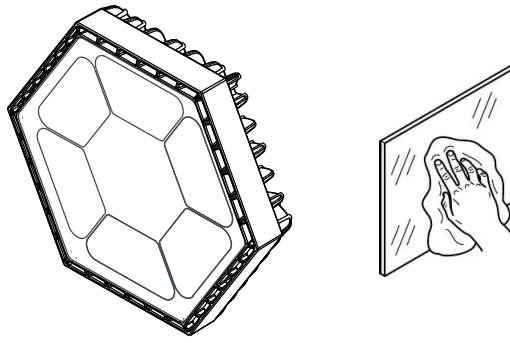




ON REQUEST



		OK	
		OK	



Punto di contatto indicato in adempimento ai fini delle direttive e regolamenti UE applicabili:

Contact details according to the relevant European Directives and Regulations:

GEWISS S.p.A. Via A.Volta, 1 IT-24069 Cenate Sotto (BG) Italy tel: +39 035 946 111 E-mail: qualitymarks@gewiss.com



+39 035 946 111
8.30 - 12.30 / 14.00 - 18.00
lunedì - venerdì - monday - friday



+39 035 946 260



sat@gewiss.com
www.gewiss.com