

Free-standing cable distribution cabinets

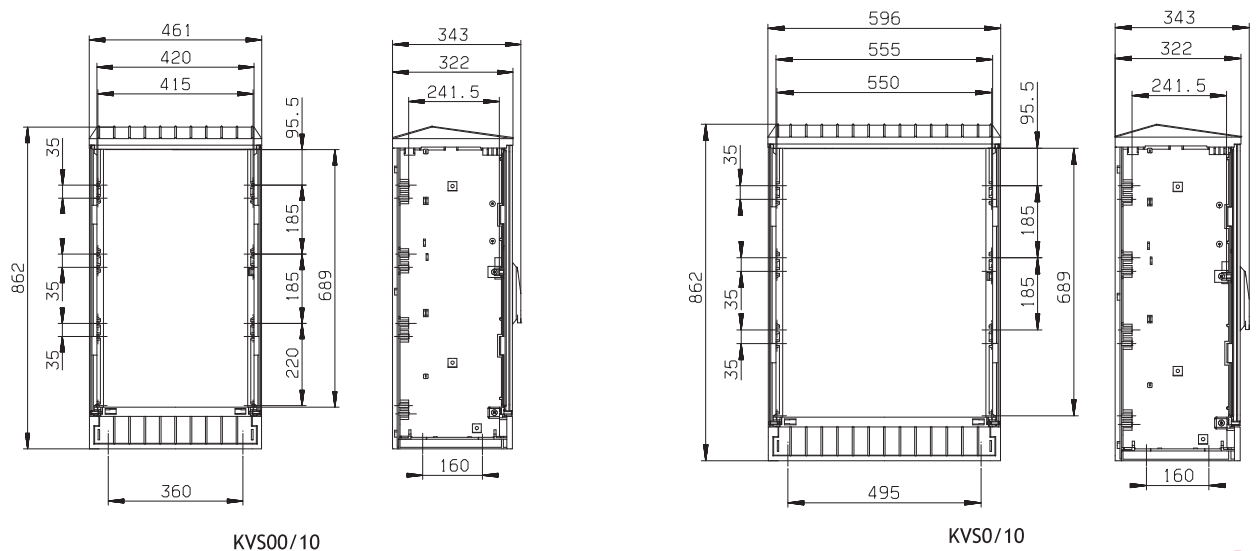
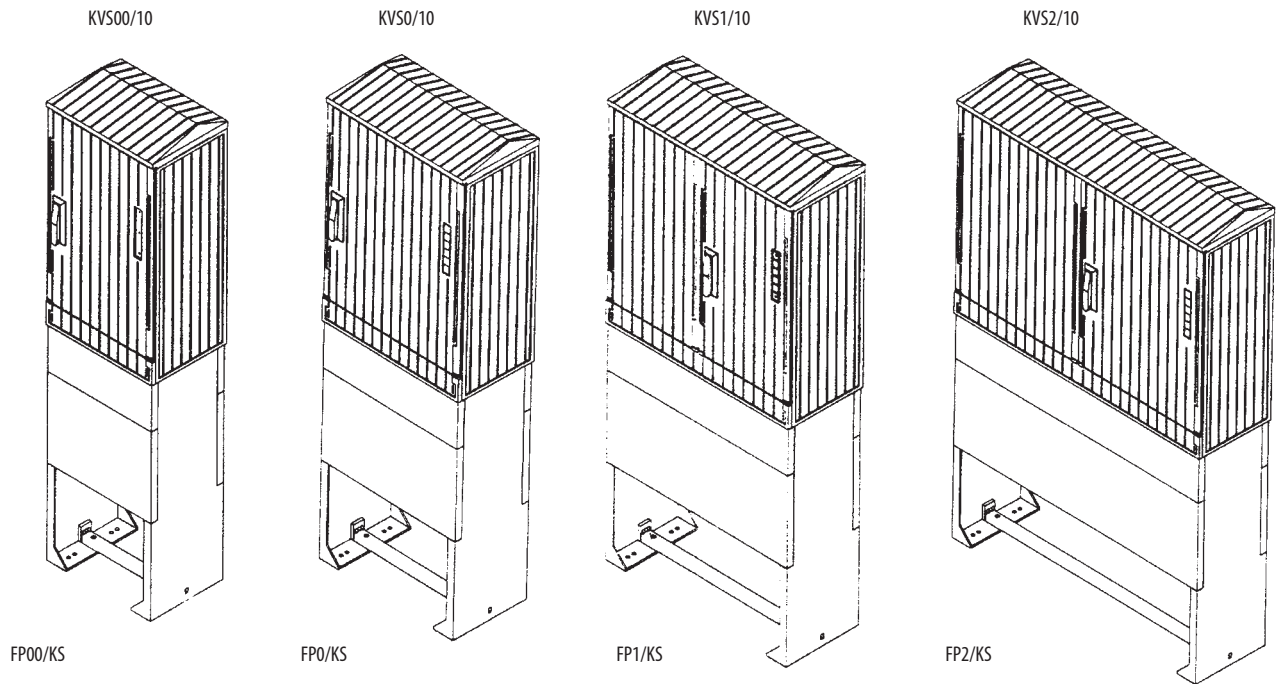
The free-standing cable distribution cabinets KVS size 00-2 are made of glass-fiber-reinforced polyester. They are used for the electric power distribution in industry, in electrification of railroads, for the distribution of telecommunication cables, for street lighting. They are mounted on polyester or concrete pedestals.

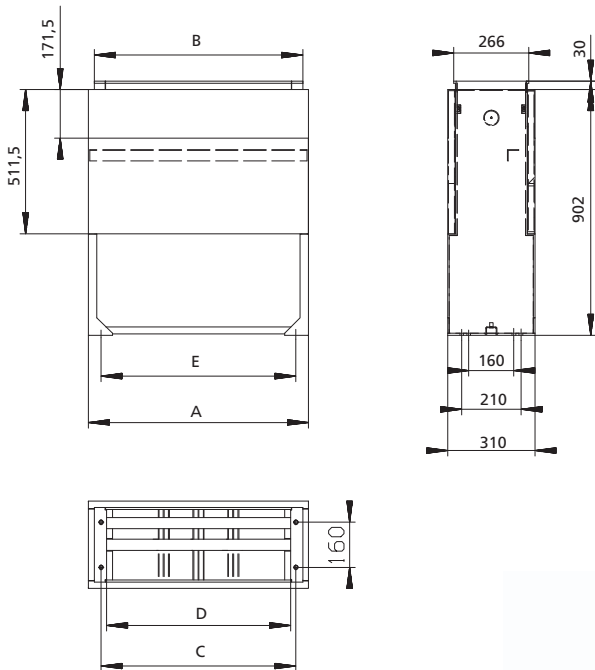
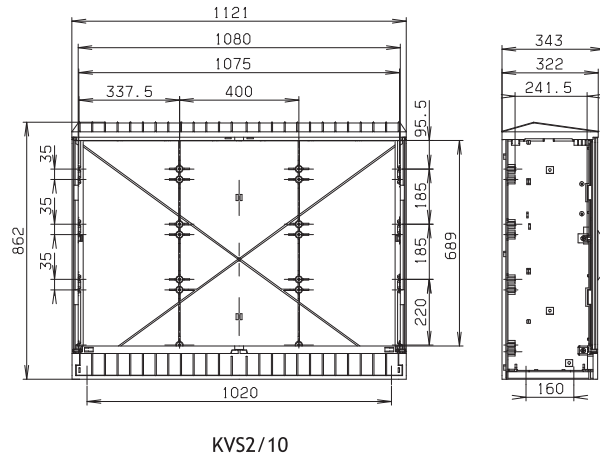
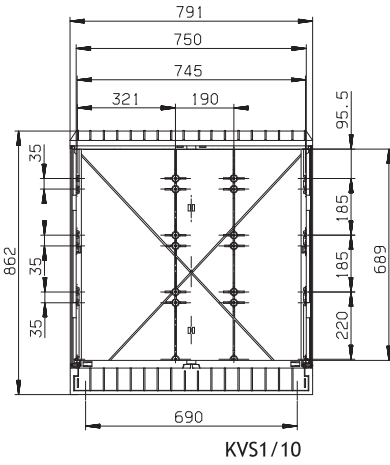
- Standards: EN60439-5, VDE 0660/503, DIN 43629/1
- Three-point door closing with a revolving handle and the possibility of incorporating a half-cylinder insert
- The door opens at 180°
- Replacement of doors and lateral sides without tools
- A modern design with a surface unsuitable for posting up placards
- The cabinet equipment at choice
- A system with name plates for both internal and external use
- Protection classification IP 44
- Material resistant to UV radiation, acids, strokes, atmospheric influences
- Colour: RAL 7035

Fuse supports with fuse cartridges can be built into the cabinets. The following number of fuse supports size 1, 2, 3 can be built-in:

- KVS00/10 4 locations for L and SL
- KVS0/10 5 fuse supports
- KVS1/10 7 fuse supports
- KVS2/10 10 fuse supports

Fuse supports size 00 can also be built-in.





Dimensions for polyester pedestals

type	A	B	C	D	E
FP00/KS for KVS 00/10	450	408	360	322	360
FP0/KS for KVS 0/10	585	543	495	457	495
FP1/KS for KVS 1/10	780	738	690	652	690
FP2/KS for KVS 2/10	1110	1068	1020	982	1020

Proper mounting of KVS distribution boxes
(to avoid condensation)

Condensation in distribution boxes

Due to the outdoor atmospheric conditions, condensed water develops in cable and distribution cabinets and precipitates at the inner surfaces. The humidity may lead to the corrosion of the metal parts and to the formation of creepage currents.

