

xgess mini

3 YEARS WARRANTY

TRIMLESS MOUNTING



EN

Recessed fix spots with gypsum structure, round or square shape, for LED bulbs, PAR16 type, with GU10 socket or XCOMBO CM03, CM06 and CM07 LEDs modules.

For trimless installation in plasterboard dropped ceilings.

Housing of white gypsum with fixing brackets of perforated aluminum board.

Chromed steel elastic ring for fixing the bulb.

GU10 ceramic sockets.

Range of applications

General or local lighting in the system without visible luminaires.

Lamps and LED modules are not included.

RO

Spoturi încastrate fixe cu structura din gips, formă rotundă sau pătrată, pentru becuri cu LED tip PAR16, cu dulie GU10 sau module cu LED-uri XCOMBO CM03, CM06 și CM07.

Se montează în tavane din gipscarton, cu profilul fără ramă vizibilă.

Corp din gips alb cu console de fixare din tablă perforată de aluminiu.

Inel elastic de fixare a becului din oțel cromat.

Dulii GU10 din ceramică.

Aplicații

Iluminatul general sau local în sistemul fără corpuri de iluminat vizibile.

Becurile și modulele LED nu sunt incluse.

IT

Faretti da incasso fissi con struttura di gesso, forma tonda o quadrata, per lampadine a LED tipo PAR16, attacco GU10 o per moduli a led XCOMBO CM03, CM06 e CM07.

Si installa su controsoffitti in cartongesso, a filo, senza rivestimento del bordo del profilo.

Corpo in gesso bianco, con staffe di fissaggio in lamiera forata di alluminio.

Anello elastico in acciaio cromato per il fissaggio della lampadina.

Portalampade GU10 in ceramica.

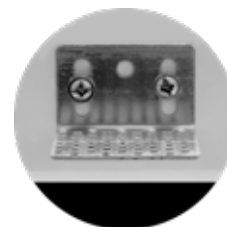
Campi di applicazione

Illuminazione generale o locale dove si desidera rendere non visibili gli apparecchi.

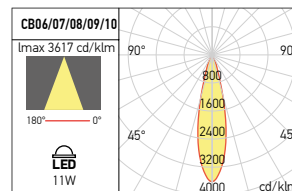
Lampadine e moduli LED non sono inclusi.



A Not adjustable fixing



B Adjustable fixing



Recommended bulbs and LED modules



BX-QPAR16



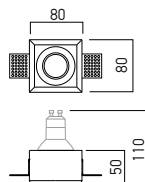
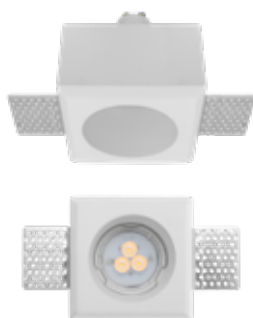
CM03



CM06/07

GSS11RD

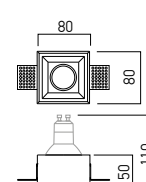
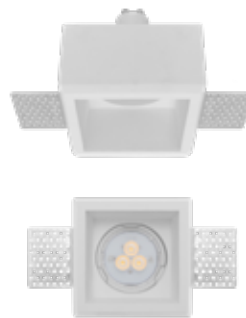
B



Code	Finishing	Bulbs type	Socket	Power	Input voltage	Weight
GSS11RD	GP	PAR16	GU10	1x50W max.	230V AC	85x85 mm 0,37 kg

GSS11SQ

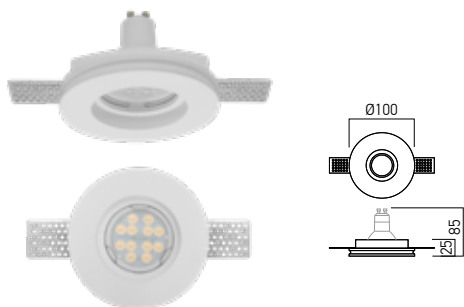
B



Code	Finishing	Bulbs type	Socket	Power	Input voltage	Weight
GSS11SQ	GP	PAR16	GU10	1x50W max.	230V AC	85x85 mm 0,30 kg

GSS01

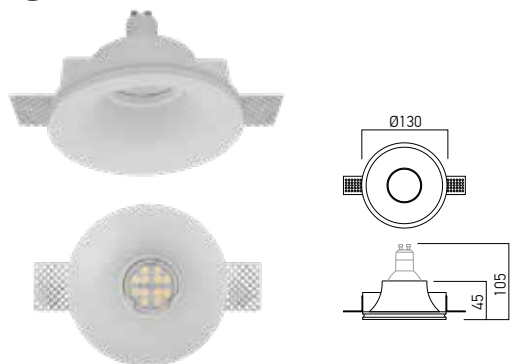
A



Code	Finishing	Bulbs type	Socket	Power	Input voltage		Weight
GSS01	GP	PAR16	GU10	1x50W max.	230V AC	Ø105 mm	0.20 kg

GSS03

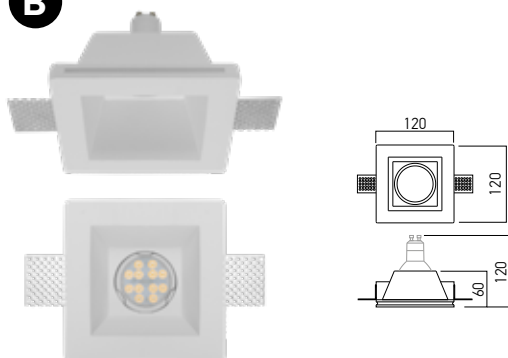
B



Code	Finishing	Bulbs type	Socket	Power	Input voltage		Weight
GSS03	GP	PAR16	GU10	1x50W max.	230V AC	140x140 mm	0.50 kg

GSS05

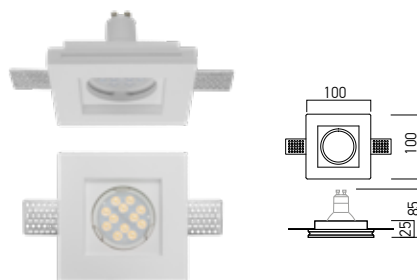
B



Code	Finishing	Bulbs type	Socket	Power	Input voltage		Weight
GSS05	GP	PAR16	GU10	1x50W max.	230V AC	125x125 mm	0.55 kg

GSS02

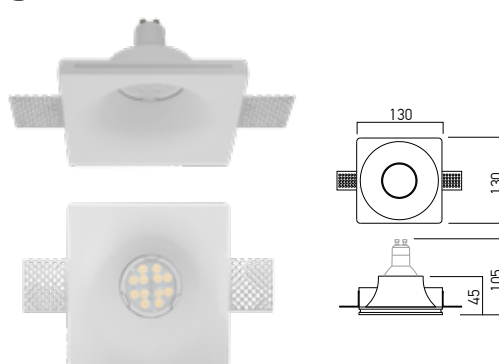
A



Code	Finishing	Bulbs type	Socket	Power	Input voltage		Weight
GSS02	GP	PAR16	GU10	1x50W max.	230V AC	105x105 mm	0.26 kg

GSS04

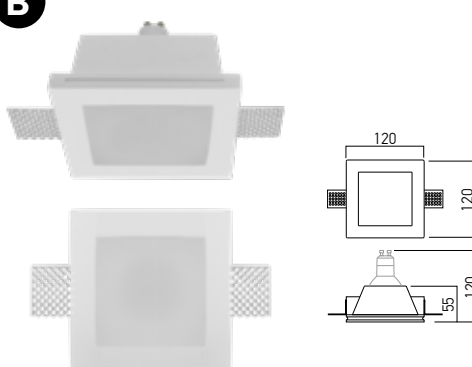
B



Code	Finishing	Bulbs type	Socket	Power	Input voltage		Weight
GSS04	GP	PAR16	GU10	1x50W max.	230V AC	125x125 mm	0.39 kg

GSS06

B

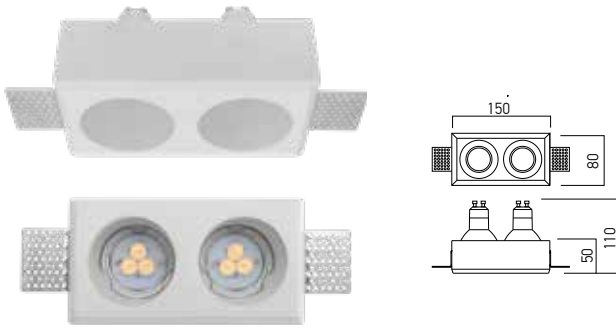


Code	Finishing	Bulbs type	Socket	Power	Input voltage		Weight
GSS06	GP	PAR16	GU10	1x50W max.	230V AC	125x125 mm	0.54 kg

Satin glass diffuser.
 Dispersor din sticlă satinată.
 Diffusore in vetro satinato.

GSS12RD

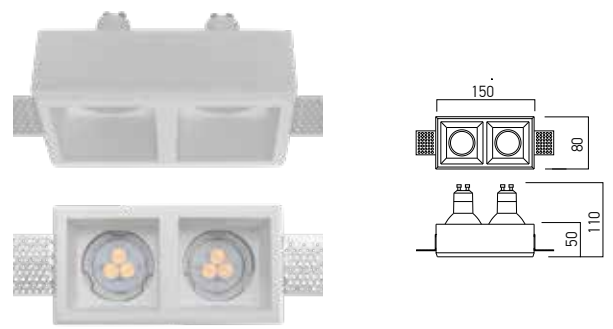
B



Code	Finishing	Bulbs type	Socket	Power	Input voltage		Weight
GSS12RD	GP	PAR16	GU10	2x50W max.	230V AC	155x85 mm	0.64 kg

GSS12SQ

B



Code	Finishing	Bulbs type	Socket	Power	Input voltage		Weight
GSS12SQ	GP	PAR16	GU10	2x50W max.	230V AC	155x85 mm	0.55 kg

GSS13RD

B



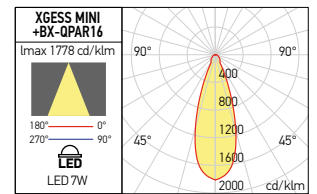
Code	Finishing	Bulbs type	Socket	Power	Input voltage		Weight
GSS13RD	GP	PAR16	GU10	3x50W max.	230V AC	225x85 mm	0.95 kg

GSS13SQ

B



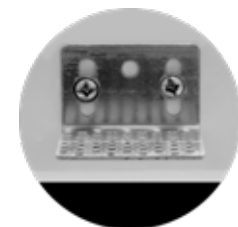
Code	Finishing	Bulbs type	Socket	Power	Input voltage		Weight
GSS13SQ	GP	PAR16	GU10	3x50W max.	230V AC	225x85 mm	0.74 kg



Recommended bulbs and LED modules



A Not adjustable fixing



B Adjustable fixing