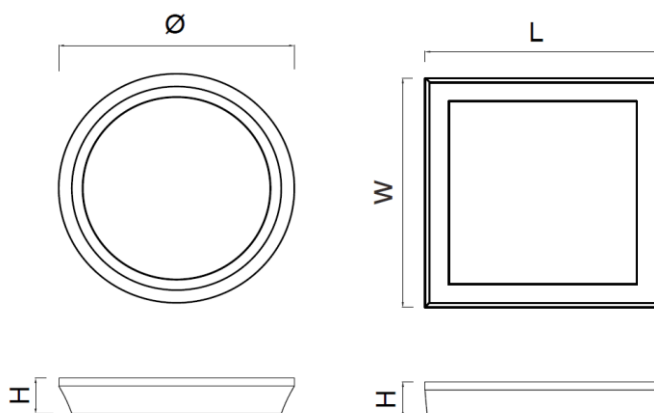


TH01, TH02, TH03, TH04, TH05, TH06**RO**

Aplice/plafoniere cu formă rotundă sau pătrată, echipate cu LED-uri SMD, temperaturi de culoare alb cald, alb neutru sau alb rece.

CORP

Carcasa și elementul de fixare din policarbonat de culoare albă.

SISTEM OPTIC

Dispersor din acril satinat.

APARATAJ DE ALIMENTARE

Tensiunea de alimentare 85/175-265V, 50/60Hz. Alimentator în curent constant livrat împreună cu panoul. Clemă de conexiuni 2P (10A/250V/2,5mm²).

APLICAȚII

Iluminatul general de interior.

EN

Wall/ceiling light fittings, round or square shape, equipped with SMD LEDs, warm white, neutral white or cool white color temperature.

HOUSING

Housing and fixing element of white polycarbonate.

OPTICAL SYSTEM

Satin acrylic diffuser.

ELECTRIC GEAR

Power supply 85/175-265V, 50/60Hz. Constant current LED driver delivered with the panel. 2P (10A/250V/2,5mm²) block of terminals.

RANGE OF APPLICATIONS

General interior lighting.

IT

Apparecchi rotondi o quadrati, da parete o da soffitto, a LED SMD, con temperature di colore bianco caldo, bianco neutro o bianco freddo.

CORPO

Struttura e elemento di fissaggio in policarbonato, colore bianco.

SISTEMA OTTICO

Diffusore acrilico satinato.

ALIMENTAZIONE

Tensione di alimentazione 85/175-265V, 50/60Hz. Alimentatore in corrente costante fornito con il pannello. Morsettiera 2P (10A/250V/2,5mm²).

CAMPI DI APPLICAZIONE

Illuminazione generale per interni.



STANDARDS: EN 60598-1:2015, EN 60598-2-1:1989, EN 62493:2010, EN 62471:2008, EN 62031:2008 + A2:2015, EN 60529:1992 + A2:2013, EN 55015:2013, EN 61000-3-2:2014, EN 61000-3-3:2013, EN 61547:2009

TH01, TH02, TH03, TH04, TH05, TH06

| Code | Finishing | LED type | Number of LEDs | Power | Input voltage / frequency | LED color temperature | CRI | Luminous flux | Working temperature | Weight | Dimensions (ØxH / LxWxH) |
|---------------|-----------|----------|----------------|-------|---------------------------|-----------------------|-----|---------------|---------------------|---------|--------------------------|
| TH01WW | White | SMD 2835 | 72 | 12W | 85-265V / 50/60Hz | 3000K | 80 | 886 lm | -30 ÷ +50 °C | 0,19 kg | 175x35 mm |
| TH01NW | White | SMD 2835 | 72 | 12W | 85-265V / 50/60Hz | 4000K | 80 | 983 lm | -30 ÷ +50 °C | 0,19 kg | 175x35 mm |
| TH01CW | White | SMD 2835 | 72 | 12W | 85-265V / 50/60Hz | 6400K | 80 | 996 lm | -30 ÷ +50 °C | 0,19 kg | 175x35 mm |
| TH02WW | White | SMD 2835 | 100 | 20W | 85-265V / 50/60Hz | 3000K | 80 | 1508 lm | -30 ÷ +50 °C | 0,29 kg | 225x35 mm |
| TH02NW | White | SMD 2835 | 100 | 20W | 85-265V / 50/60Hz | 4000K | 80 | 1678 lm | -30 ÷ +50 °C | 0,29 kg | 225x35 mm |
| TH02CW | White | SMD 2835 | 100 | 20W | 85-265V / 50/60Hz | 6400K | 80 | 1694 lm | -30 ÷ +50 °C | 0,29 kg | 225x35 mm |
| TH03WW | White | SMD 2835 | 180 | 30W | 175-265V / 50/60Hz | 3000K | 80 | 2257 lm | -30 ÷ +50 °C | 0,62 kg | 300x45 mm |
| TH03NW | White | SMD 2835 | 180 | 30W | 175-265V / 50/60Hz | 4000K | 80 | 2504 lm | -30 ÷ +50 °C | 0,62 kg | 300x45 mm |
| TH03CW | White | SMD 2835 | 180 | 30W | 175-265V / 50/60Hz | 6400K | 80 | 2529 lm | -30 ÷ +50 °C | 0,62 kg | 300x45 mm |
| TH04WW | White | SMD 2835 | 72 | 12W | 85-265V / 50/60Hz | 3000K | 80 | 883 lm | -30 ÷ +50 °C | 0,28 kg | 175x175x35 mm |
| TH04NW | White | SMD 2835 | 72 | 12W | 85-265V / 50/60Hz | 4000K | 80 | 979 lm | -30 ÷ +50 °C | 0,28 kg | 175x175x35 mm |
| TH04CW | White | SMD 2835 | 72 | 12W | 85-265V / 50/60Hz | 6400K | 80 | 991 lm | -30 ÷ +50 °C | 0,28 kg | 175x175x35 mm |
| TH05WW | White | SMD 2835 | 144 | 20W | 85-265V / 50/60Hz | 3000K | 80 | 1499 lm | -30 ÷ +50 °C | 0,35 kg | 225x225x35 mm |
| TH05NW | White | SMD 2835 | 144 | 20W | 85-265V / 50/60Hz | 4000K | 80 | 1672 lm | -30 ÷ +50 °C | 0,35 kg | 225x225x35 mm |
| TH05CW | White | SMD 2835 | 144 | 20W | 85-265V / 50/60Hz | 6400K | 80 | 1691 lm | -30 ÷ +50 °C | 0,35 kg | 225x225x35 mm |
| TH06WW | White | SMD 2835 | 216 | 30W | 175-265V / 50/60Hz | 3000K | 80 | 2252 lm | -30 ÷ +50 °C | 0,76 kg | 300x300x45 mm |
| TH06NW | White | SMD 2835 | 216 | 30W | 175-265V / 50/60Hz | 4000K | 80 | 2497 lm | -30 ÷ +50 °C | 0,76 kg | 300x300x45 mm |
| TH06CW | White | SMD 2835 | 216 | 30W | 175-265V / 50/60Hz | 6400K | 80 | 2523 lm | -30 ÷ +50 °C | 0,76 kg | 300x300x45 mm |

FOTOMETRIE / PHOTOMETRY / FOTOMETRIA

