

Philips Lighting Catalogue 2014/15

PHILIPS

Philips
Lighting Catalogue
2014/15





Philips delivers innovation that matters to you

A technology company that cares about people.

From the very first light bulbs and radios, we've had one message at the heart of our company – our mission to improve people's lives through innovation that matters.

We don't just invent; we entertain, we enlighten, we solve. We are a technology company that cares about people.

It's in our DNA, and it's time to let it shine.

Terms and Conditions

All illustrations, information and specifications presented and referred to herein are believed to be correct at the time of publication. All measurements shown in millimetres unless otherwise stated.

Attachments to some products are optional and available at additional cost.

Philips Lighting reserves the right to make changes from time to time without notice or obligation in the specifications, design, colour or materials. Philips Lighting reserves the right to change and discontinue products.

Additional details and specifications are available from Philips Lighting on request. Or refer to product content online at www.philips.com.au/lighting

All due care has been taken to ensure that technical details listed in this guide are correct, however should any errors be found, Philips Lighting reserves the right to make alterations without notice.

Contact Philips Customer Service:

Ph: 1300 304 404

Fax: (02) 9947 0363

lightingsalesdesk@philips.com

www.philips.com.au/lighting

Contents

1 Introduction

■ Your Lighting Partner	1.0
-------------------------	-----

2 Professional Luminaires

■ Office Lighting	2.2
-------------------	-----

■ Downlights & Projectors	2.21
---------------------------	------

■ Battens	2.39
-----------	------

■ WaterProof Battens	2.44
----------------------	------

■ Highbay	2.49
-----------	------

■ Lowbay	2.54
----------	------

■ Area Lighting	2.60
-----------------	------

■ Road Lighting	2.63
-----------------	------

■ Floodlighting	2.66
-----------------	------

■ Security	2.80
------------	------

3 Consumer Luminaires

■ Ledino	3.2
----------	-----

■ Essential LED	3.6
-----------------	-----

■ RoomStylers	3.8
---------------	-----

■ Kidsplace	3.12
-------------	------

■ Aquafit	3.18
-----------	------

■ Outerstylers	3.26
----------------	------

■ LED Desk Lamps	3.30
------------------	------

■ Living Colors	3.32
-----------------	------

4 Lamps	
■ General Lamps	4.2
■ Halogen	4.8
■ Fluorescent Lamps • Linear Tubes	4.20
■ Fluorescent Lamps • Compact Non-Integrated	4.36
■ Fluorescent Lamps • Compact Integrated (CFLi)	4.44
■ LED	4.48
■ High Intensity Discharge	4.66
■ Special Lamps	4.85
<hr/>	
5 Stand Alone Controls	5.0
<hr/>	
6 Electronic Control Gear	6.0
<hr/>	
7 Technical Data	7.0
<hr/>	
8 Glossary of Terminology	8.0
<hr/>	

Product Overview

OFFICE LIGHTING 2.2

2.3



PowerBalance 2.0

2.5



SmartPanel LED

2.7



Coreline LED

2.9



Smartform LED

2.11



SmartBalance LED

2.13



Celino LED

2.15



LumiStone LED

2.17



Sereno TBS 299

2.18



Sereno TBS 528/869

2.20



Modella TCS 125

DOWNLIGHTS & PROJECTORS 2.21

2.21



LuxSpace Gen III

2.24



LuxSpace Gen III
- IP54

2.26



LuxSpace Gen III
Wall-wash

2.28



LuxSpace Gen II -
Surface Mounted

2.30



GreenAccent Gen II

2.34



GreenSpace Gen III

2.36



Essential Downlight
LED

2.37



SmartBright Mini
Dimmable LED

2.38



CoreLine ProSet

BATTENS 2.39

2.39



CoreLine Trunking

2.40



GreenPerform LED
Batten

2.42



SmartBright LED
Batten Gen2

2.43



TCW060
Fluorescent
WaterProof Batten

WATERPROOF
BATTENS

2.44

2.44



GreenPerform
Waterproof Batten

2.46



CoreLine
Waterproof Batten

2.48



Pacific LED
Waterproof Batten

HIGHBAY

2.49

2.49



Prolux T5 Highbay
TPS 550

2.51



GreenPerform
Highbay Gen2

2.53



GentleSpace Gen2

LOWBAY

2.54

2.55



SmartBay Lowbay

2.56



Mini 300 Gen2

2.58



Mini 300 HID

AREA LIGHTING

2.60

2.60



Metro

2.62



Metro LED

ROAD LIGHTING

2.63

2.63



RoadStar

2.64

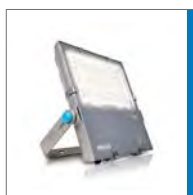


GreenVision Xceed

FLOODLIGHTING

2.66

2.66



Tango LED

2.68



Tango G2 LED

2.70



OptiVision

2.71



ArenaVision

2.73



ComfortVision

2.75



ConTempo HID

2.77



Tango HID

2.79



HNF901 (Puma)

SECURITY

2.80

2.80



Mini Vandalite LED

2.82



Twin Motion LED Sensor

2.83



Vandalite

LEDINO

3.2

3.4



69092/31

3.4



69092/87

3.4



69064/87

3.4



69070/31

3.4



69072/31

3.5



69074

3.5



69080/87

3.5



69082/87

3.5



69084/87

3.5



69089/31

ESSENTIAL LED

3.6

3.7



30804

3.7



30805

3.7



30806

ROOMSTYLERS

3.8

3.10



TCG701

3.10



TCG702

3.10



TCG700

3.10



TCG700

3.10



TCG700

3.11



QCG307

3.11



QCG307

3.11



QWG306

3.11



FWG301

3.11



QWG311

KIDSPLACE
3.12

3.14



QCG316

3.14



QPG308

3.14



QCG310

3.14



QCG311

3.14



QCG315

3.15



QPG314

3.15



QPG315

3.15



FPG302

3.15



QPG313

3.15



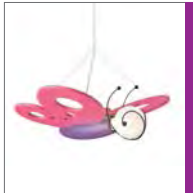
QPG316

3.16



40229

3.16



40295

3.16



69112

3.16



69112

AQUAFIT
3.18

3.21



QCZ800

3.21



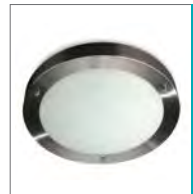
QCZ806

3.21



QCZ802

3.21



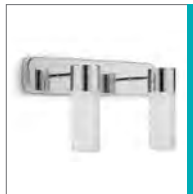
QCZ802

3.21



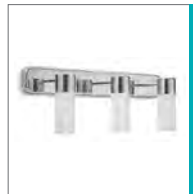
32047

3.22



32048

3.22



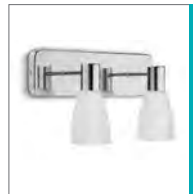
32049

3.22



32029

3.22



32030

3.22



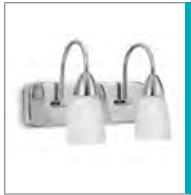
32031

3.23



32032

3.23



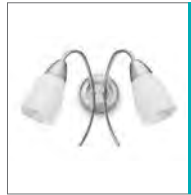
32033

3.23



32035

3.23



32036

3.23



32044

3.24



32045

3.24



32046

OUTERSTYLERS

3.26

3.28



EWS300

3.28



EWP300

3.28



17105

3.28



17105

3.28



17173

LED DESK LAMPS

3.30

3.31



Eyecare Black

3.31



Eyecare White

3.31



Vane Blue

3.31



Vane Pink

3.31



Vane Grey

LIVING COLORS

3.32

3.34



Living Colors
Micro-White

3.34



Living Colors
Iris-Black

GENERAL LAMPS

4.2

4.2



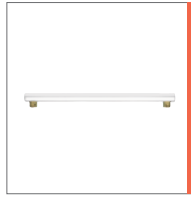
Classictone Candle

4.3



Classictone Lustre

4.3



Practitone Philinea

4.4



Practitone Tubular

4.5



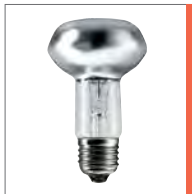
Partytone Coloured

4.6



Floodlight PAR38
& PAR 38 Colour

4.7



Reflector Ring
Mirror

4.7



Reflector Standard
Floodline

HALOGEN

4.8

4.9



Masterline ES
Dichroic

4.10



Brilliantline Pro
Dichroic

4.11



Essential Plus
Dichroic

4.12



Masterline III

4.13



Essential Twistline
Dichroic

4.14



Essential Capsule

4.15



Essential Capsule
MV

4.16



EcoClassic A55

4.17



EcoClassic Candle

4.18



EcoClassic Lustre

4.19



Plusline Pro

LINEAR TUBES

4.20

4.21



Master TL5
High Efficiency ECO

4.22



Master TL5
High Output ECO

4.23



Master TL5
High Efficiency

4.24



Master TL5
High Output

4.25



Master TL5
HO Xtra

4.26



Master TL5
HOTOP

4.27



Master TL5 HO
90 Deluxe

4.28



Master TL5 Circular

4.29



Master TL-D ALTO

4.30



Master TL-D
Super 80

4.30



Master TL-D
Xtreme

4.31



Master TL-D
90 Deluxe

4.32



Master TL-D
Secura

4.32



Master TL-D
Food Pro

4.33



TL-D Standard
Colours

4.33



TL-D Coloured

4.34



TL-E Circular
Super 80

4.34



TL Miniature

4.35



TL-X XL
Instant Start

4.35



Starter Switches

COMPACT
NON-INTEGRATED

4.36



Master PL-R Eco

4.37



PL-C 2-PIN

4.38



PL-C 4-PIN

4.38



Master PL-L 4-PIN

4.39



PL-S 2-PIN

4.39



PL-S 4-PIN

4.40



PL-T 2-PIN

4.41



PL-T TOP 4-PIN

4.42



Master PL-T Xtra

4.42



PL-Q 2-PIN &
4-PIN Quadrant

COMPACT
INTEGRATED

4.44



Ambiance Lustre

4.45



Ambiance Candle

4.45



Ambiance PAR38

4.46



Genie

4.47



Tornado

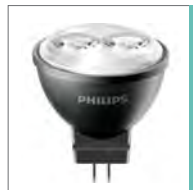
LED LAMPS

4.48



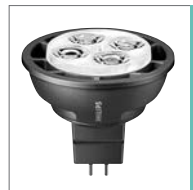
LEDspot Mains
Voltage GU10

4.53



LEDspot Low
Voltage MR11 - ND

4.53



LEDspot Low
Voltage MR16 - ND

4.54



LEDspot Low
Voltage MR16 - D

4.57



LEDbulb A60

4.58



LEDbulb A67

4.60



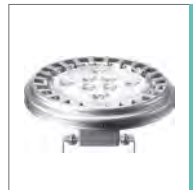
LED Decorative
Candle

4.61



LEDspot PAR

4.62



LEDspot ARI II

4.63



LEDtube

4.65



CorePro LEDtube

HIGH INTENSITY
DISCHARGE

4.66



Master CDM-T

4.66



CDM-T Elite

4.67



CDM-T Elite
Light Boost

4.67



CDM-TC

4.68



CDM-TC Elite

4.68



CDM-TC Elite
Light Boost

4.69



CDM-TD

4.69



MHN-TD

4.70



CDM-/TP Medium
Wattage Elite

4.71



CDM-R Mini

4.72



CDM-R Mini Elite

4.72



CDM-R Par 20

4.73



CDM-R Par 30

4.73



CDM-R Par 30 Elite

4.74



CDM-R III

4.75



CosmoPolis
Outdoor

4.76



CDO-TT &
CDO-ET Elliptical

4.77



HPI-T

4.78



HPI Plus

4.80



Universal Operating
Ovoid

4.81



ArenaVision/
OptiVision Lamps

4.82



SON

4.82



SON-T

4.83



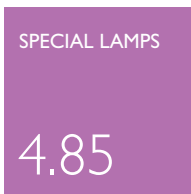
SON-T Agro

4.84



HPL-N

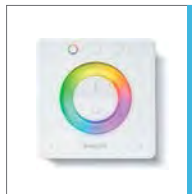
4.85



UV - Blacklight Blue



5.2



ToBeTouched

5.3



OccuSwitch DALI

5.3



OccuSwitch -
LRM1000

5.4



OccuSwitch -
LRM1010

5.4



OccuSwitch -
LRM1040

5.5



OccuSwitch –
LRM1070

5.5



Highbay Sensor

ELECTRONIC
CONTROL GEAR

6.0

6.2



HF-Ri TD

6.4



HF-RTD PL-R Eco

6.5



HF Performer III

6.6



HF Selectalume II

6.7



HID-Primavision

6.9



HID-Primavision
Economy

6.10



HID AspiraVision

6.10



HID PrimaVision
Medium Wattage

6.11



HID PrimaVision for
Mini White SON

6.11



HID PrimaVision
Xtreme for CPO

6.12



ET-S Halogen
Transformer







Philips –

Your
Lighting
Partner

Philips Companies



Dynalite

Philips Dynalite is synonymous with the creation of sophisticated, simple, reliable and energy-efficient lighting control solutions for a wide range of industry sectors, including residential, custom installation, offices, retail, hospitality and public spaces. An industry leading innovator for over 20 years, Philips Dynalite is the solution of choice for a wide range of 'smart home', energy management and architectural lighting control applications. Philips Dynalite solutions blend high-level functionality with dramatic aesthetic sustainability to enable and enhance our lives.

Phone: 1300 554 178

Email: dynalite.info@philips.com

Website: www.philips.com/dynalite



ColorKinetics

Philips ColorKinetics transforms environments through dynamic and innovative uses of light. Our award-winning LED lighting systems, lighting controllers, and custom lighting solutions reinvent light as a highly efficient, long lasting, environmentally friendly, and inherently digital source of illumination.

Phone: 1300 304 404

Email: lightingsalesdesk@philips.com

Website: www.philips.com.au/lighting



Selecon

The passion for performance is the philosophy behind every luminaire manufactured by Philips Selecon. We offer lighting designers the tools to light the 'theatre of life' utilising innovative materials and design principals, and the latest lamp sources including LED, metal halide and tungsten halogen. Our luminaires are designed for entertainment applications, theatres, themed environments, convention centres, retail applications, museums and art galleries.

Where our light falls experiences are made.

Phone: 0419 133 342

Email: peter.mckenzie@philips.com

Website: www.seleconlight.com



Strand Lighting

Philips Strand offers a comprehensive and competitive range of dimming, control systems and software to answer the creative needs of the lighting designer, whether working in theatre, television, themed environments and sophisticated architectural applications.

Phone: 0419 133 342

Email: peter.mckenzie@philips.com

Website: www.strandlighting.com





Philips – Your Lighting Partner

As the world's leader in Lighting, Philips is driving the switch to energy-efficient lighting solutions. Philips provides a unique combination of advanced technologies, which include LED systems, lamps, drivers, optics, luminaires, lighting controls and accessories, as well as the supporting tools to help you apply them.

Here are a few examples of how we can work with you and support the Australian lighting industry.



Design and Project Support

The Philips Lighting projects team can provide consultation, guidance, and support with projects featuring lighting. This includes solutions for office, retail, industrial, commercial, institutional, sports facilities, city beautification and more.

Our experienced team can help you at every step of the way with lighting project management.

- Latest technology and innovations
- Energy efficient and sustainable lighting
- Total cost of ownership tools and comparisons
- Lighting design featuring the latest software
- Pricing and delivery
- After sales support



Philips Lighting
University

Online Training

Looking for in-depth personal training? – Try our Philips Lighting online training course.

Start with the fundamentals, and work your way through luminaires, lamps, and gear products, covering technologies, benefits and applications. The Philips Lighting University aims to grow your lighting knowledge at your own pace in a lively interactive environment.

Sustainability

In 2050 there will be 9 billion people living on Earth. Sustainable development for Philips means enabling all mankind to live healthy and well within the ecological carrying capacity of our planet.

Philips has a long sustainability history stretching all the way back to our founding fathers. In 1994 we launched our first program and set sustainability targets for our own operations. In 1998, we launched our first EcoVision program focused on operations and products showing energy saving characteristics and minimising hazardous materials in products and packaging. We also started to focus on sustainability in our supply chain in 2003. In 2010 we extended our scope further by including the social dimension of products and solutions, which is now reflected in our renewed company vision stating that we strive to make the world healthier and more sustainable through innovation. Our goal is to improve the lives of 3 billion people a year by 2025.



Philips Online

By its very nature, a printed catalogue like this represents the situation at a given moment in time.

For the very latest details on our extensive range of innovative lighting solutions and products, please check our website at www.philips.com.au/lighting

- eCatalogue
- New products
- Project planners
- Application information and trends
- Case studies



Lighting Hub iPad app



facebook.com/seewhatlightcando



Innovations in Light



[@PhilipsLight](https://twitter.com/PhilipsLight)

In addition, sign up for our e-newsletters via the Philips website for the latest in Philips' news and product innovations.





Professional Luminaires







PowerBalance 2.0

When it comes to office lighting, new opportunities are presented to invest in the latest technology, allowing for energy savings of up to 25% compared to a conventional 4x14W T5 fitting as well as reduced operational costs. At Philips, we've designed our PowerBalance luminaire with all the above factors in mind. Combined with a rated lifetime of 50,000 hrs, the PowerBalance offers impressive energy savings resulting in reduced operational costs, trumping its conventional T5 predecessors.



Features and Benefits

- Advanced LED technology, offering efficacy and long lifetime
- Smart Pyramid Optics (SPO), ensuring excellent light control
- Choice of 3 lumen packages with 4000K colour temperature, ideal for office applications
- System efficiency of up to 114lm/W



Product ID	L (mm)	W (mm)	H (mm)
W300L1200	1197	297	75
W600L600	597	597	75

Dimensions in mm (Nominal)

POWERBALANCE 2.0

Family name	PowerBalance 2.0
Model	RC600B
Lumen/ Watt	32W/ 3100lm 33W/ 3700lm 43W/ 4200lm
Correlated Colour Temperature (CCT)	4000K
Colour Rendering Index (CRI)	80
Flex and Plug	Yes
Lifetime L70*	50,000hrs
Unified Glare Ratio (UGR)	15
Optics	Smart Pyramid Optics (SPO)

Driver	Integrated DALI driver
Dimmable	Compatible with DALI controllers
Installation	T-Bar recessed mounting
IP rating	IP20
Weight	6.5Kg
Colour of housing	Housing: post-painted steel. Optics: plastic
Application	Offices, Healthcare, Department stores
Accessories	n/a
Suspension Height - min/max	n/a
Maximum Run Length	n/a



PowerBalance 2.0 continued

COMMERCIAL CODE	I2NC	DESCRIPTION
RC600B32W4KDREC	911401561111	RC600B LED31S/840 PSD W30L120 CAU
RC600B32W4KDSQ	911401555811	RC600B LED31S/840 PSD W60L60 CAU
RC600B32W4KDREA	911401561211	RC600B LED31S/840 PSD W30L120 AIR CAU
RC600B32W4KDSQA	911401555911	RC600B LED31S/840 PSD W60L60 AIR CAU
RC600B33W4KDREC	911401555711	RC600B LED35S/840 PSD W30L120 CAU
RC600B33W4KDSQ	911401561611	RC600B LED35S/840 PSD W60L60 CAU
RC600B33W4KDREA	911401561011	RC600B LED35S/840 PSD W30L120 AIR CAU
RC600B33W4KDSQA	911401561711	RC600B LED35S/840 PSD W60L60 AIR CAU
RC600B43W4KDREC	911401560711	RC600B LED40S/840 PSD W30L120 CAU
RC600B43W4KDSQ	911401561811	RC600B LED40S/840 PSD W60L60 CAU
RC600B43W4KDREA	911401560811	RC600B LED40S/840 PSD W30L120 AIR CAU
RC600B43W4KDSQA	911401561911	RC600B LED40S/840 PSD W60L60 AIR CAU

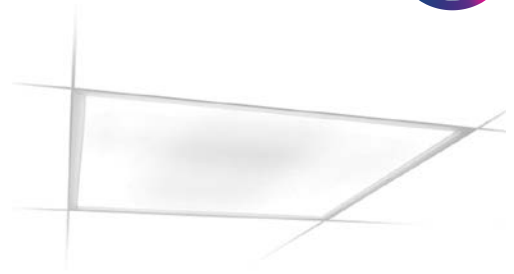


SmartPanel LED

Philips SmartPanel is an affordable LED lighting solution for general office areas, providing energy savings of up to 20% compared with similar output T5 fittings.

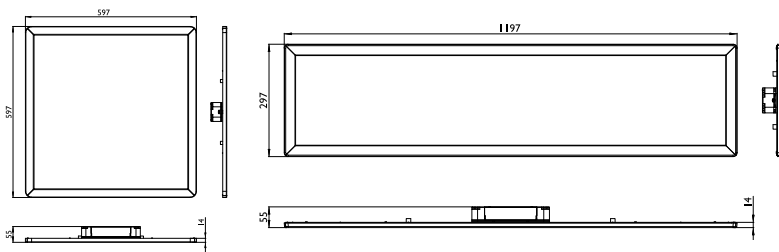
With its ultra-slim design, SmartPanel is suitable for both recessed and suspended applications to cater to all tastes and trends.

Featuring a side-lit LED and high quality light guide, Smart Panel creates a uniform and clean look for any office application.



Features and Benefits

- High System efficacy: 77lm/W for neutral white 4000K
- Improved working environment: High colour rendering (CRI>80); Excellent lighting uniformity
- Slim housing design: 14mm for housing height. 55mm with the driver height considered



Product ID	L (mm)	W (mm)	H (mm)
RCI 60V Square	597	597	14/55
RCI 60V Rectangle	1197	297	14/55
Dimensions in mm (Nominal)			(H – including driver)

SMARTPANEL LED

Family name	RCI60V	Dimmable	Compatible with DALI controllers
Lumen/Watt	2500lm/33W – 3x14W replacement 3400lm/45W – 2x54W replacement	Installation	Recessed: Individual; lay in exposed ceiling grids Suspended: Individual; suspended mounting with steel-wire-suspension kit (optional) with power cord
Colour temp	Warm white 3000K / Neutral white 4000K	Classification/IP rating	IP20
Colour Rendering Index	>80	Colour/Materials	Housing; Frame: plastic Back cover: steel Light guide: PMMA Driver housing: Polycarbonate Trim Colour: White
Flex and Plug	Included	Application	General lighting, Offices, Schools
Lifetime L70*	30,000 Hours	Accessories	Suspension mounting kit (RCI60Z SMS PSU/ RCI60Z SMS PSD) Surface mounting kit (RCI60Z MB-SURF SQR/ RCI60Z MB-SURF REC)
Office compliant/UGR	<19		
Louvre/Optics	Light guide with diffuser		
Driver	Integrated driver		

* = When the fitting reaches 70% of full potential (new)



SmartPanel LED continued

COMMERCIAL CODE	I2NC	DESCRIPTION
RCI60V45W4KDSQ	911401509811	RCI60V LED34S/840 PSD W60L60 CAU
RCI60V45W4KDREC	911401509911	RCI60V LED34S/840 PSD W30L120 CAU
RCI60V45W4KFSQ	911401509411	RCI60V LED34S/840 PSU W60L60 CAU
RCI60V45W4KFREC	911401509611	RCI60V LED34S/840 PSU W30L120 CAU
RCI60V45W3KFSQ	911401510011	RCI60V LED34S/830 PSU W60L60 CAU
RCI60V45W3KFREC	911401510211	RCI60V LED34S/830 PSU W30L120 CAU
RCI60V45W3KDSQ	911401510411	RCI60V LED34S/830 PSD W60L60 CAU
RCI60V45W3KDREC	911401510511	RCI60V LED34S/830 PSD W30L120 CAU
RCI60V33W4KFSQ	911401509511	RCI60V LED25S/840 PSU W60L60 CAU
RCI60V33W4KFREC	911401509711	RCI60V LED25S/840 PSU W30L120 CAU
RCI60V33W3KFSQ	911401510111	RCI60V LED25S/830 PSU W60L60 CAU
RCI60V33W3KFREC	911401510311	RCI60V LED25S/830 PSU W30L120 CAU
RCI60ZSMSF	911401585301	RCI60Z SMS PSU
RCI60ZSMSD	911401585401	RCI60Z SMS PSD
RCI60ZSURFSQ	911401542211	RCI60Z MB-SURF SQR622x622x65
RCI60ZSURFREC	911401542311	RCI60Z MB-SURF REC1222x322x65



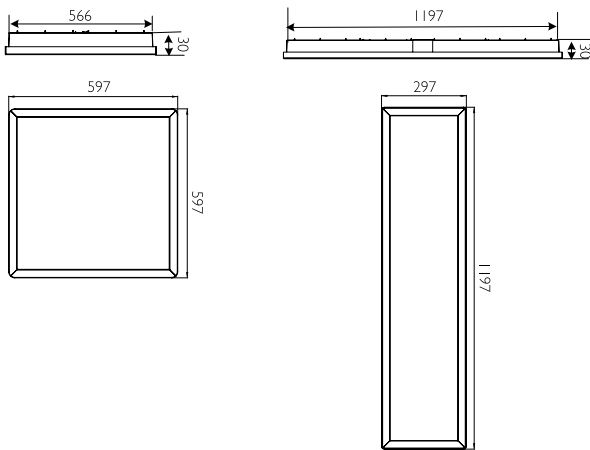
CoreLine LED

CoreLine LED is a stylish range of high output LED luminaires suitable for general office and retail lighting applications. With a longlife LED platform, you can directly replace a conventional 4x18W and/or 2x36W fluorescent system and enjoy lower maintenance costs.



Features and Benefits

- Up to 90lm/W system efficiency with significant energy savings than traditional T5 systems
- LPD>7W/m² with LEED green energy consumption certification of +5
- PC prism panel reduces glare
- Long lifetime of up to 50,000 hours



Product ID	L (mm)	W (mm)	H (mm)
RCI00C Rectangle ver.	1197	297	30
RCI00C Square ver.	597	597	30
SMI00C Rectangle ver.	1197	197	30
SMI00C Square ver.	597	597	30

Dimensions in mm (Nominal)

CORELINE LED

Family Name	Coreline
Model	RCI00C - Recessed ver. SMI00C - Surface-mounted ver.
Lumen/ Watt	2600lm/31W - 2x28 / 4x14W T5 replacement 3700lm/40W - 3x28 / 2x35WT5 replacement
Lamp Colour	4000K
Colour Rendering Index (CRI)	80
Flex and Plug	No
Lifetime L70*	50,000 Hours
Unified Glare Ratio	19 - square ver 22 - rectangle ver
LOR	1.00
Louvre/Optics	Light guide with diffuser
Driver	Integrated driver
Dimmable	Compatible with DALI controllers

Installation	Recessed: Individual; lay in exposed ceiling grids Surface mounted
Classification/IP rating	IP20
IK Rating	n/a
Weight (kg)	3.0
Colour/Materials	Housing: Steel Light cover: Polycarbonate Driver box: Steel
Application	General lighting, Office, Corridors, Retail
Accessories	NA
Suspension Height - min/max	NA
Maximum Run Length	NA

* = When the fitting reaches 70% of full potential (new)



CoreLine LED continued

COMMERCIAL CODE	I2NC	DESCRIPTION
CORELINE LED RECESSED MOUNTED		
RCI00C3IW4KFSQ	911401568901	RCI00C LED25S/840 PSU W60L60
RCI00C3IW4KFREC	911401569001	RCI00C LED25S/840 PSU W30L120
RCI00C3IW4KDSQ	911401564301	RCI00C LED25S/840 PSD W60L60
RCI00C3IW4KDREC	911401568601	RCI00C LED25S/840 PSD W30L120
RCI00C42W4KFSQ	911401564201	RCI00C LED35S/840 PSU W60L60
RCI00C42W4KFREC	911401564101	RCI00C LED35S/840 PSU W30L120
RCI00C42W4KDSQ	911401568501	RCI00C LED35S/840 PSD W60L60
RCI00C42W4KDREC	911401568701	RCI00C LED35S/840 PSD W30L120
CORELINE LED SURFACE MOUNTED		
SMI00C3IW4KFREC	911401592601	SMI00C LED25S/840 PSU W20L120
SMI00C3IW4KFSQ	911401592701	SMI00C LED25S/840 PSU W60L60
SMI00C42W4KFSQ	911401592201	SMI00C LED35S/840 PSU W60L60
SMI00C42W4KFREC	911401592301	SMI00C LED35S/840 PSU W20L120
ACCESSORY		
RCI00CSUSPSET	911401562201	RCI00C Suspension set



Smartform LED

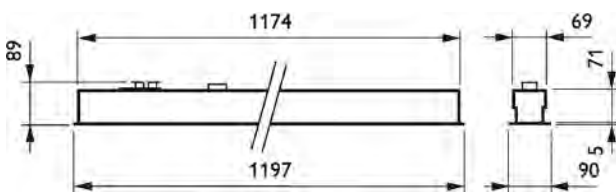
Designed to fit in a wide range of ceiling types, this family of highly versatile modular and semi-modular luminaires can fulfill the majority of project requirements in most applications. SmartForm LED offers higher luminaire efficiency than conventional MLO (micro-lens optic) solutions, enabling significant energy savings. At the same time, its choice of optics ensures a range of inspiring light effects to bring office environments to life.



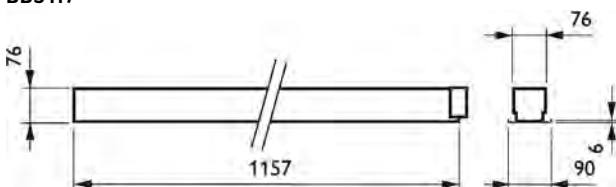
Features and Benefits

- Continuous line and light beam models
- Office compliant (UGR19, CRI 80)
- Inspiring light effects
- High system efficacy with optics innovation
- Aesthetical and novel design with visually better ceiling integration
- Designed to fit in a wide range of ceiling types

BBS411 & BBS415



BBS417



Product ID	L (mm)	W (mm)	H (mm)
BBS411	1197	90	89
BBS415	1197	90	89
BBS417	1157	90	76

Dimensions in mm (Nominal) (H – including driver)

Smartform LED continued

SMARTFORM LED			
Family name	Smartform LED	Optics	LIN-PC: OLC micro-lens optic in polycarbonate cover MLO-PC: OLC micro-lens optic in polycarbonate cover O-PC: Opal optic in polycarbonate cover
Model	BBS411 - Light beam Slim BBS415 - Light beam BBS417 - Continuous Line	Driver	Integrated driver
Lumen/Watt	BBS411 - Light beam Slim MLO-PC: 1700lm/ 25W LIN-PC: 2000lm/ 25W BBS415 - Light beam MLO-PC: 1900lm/ 25W LIN-PC: 2000lm/ 25W MLO-PC: 3500lm/ 47W LIN-PC: 4200lm/ 47W BBS417 - Continuous Line MLO-PC: 1700lm/ 25W LIN-PC: 2000lm/ 25W O-PC: 1900lm/ 25W	Dimmable	Fixed output and DALI compatible
Correlated Colour Temperature (CCT)	3000K, 4000K	Installation	Recessed mounting
Colour Rendering Index (CRI)	80	IP rating	IP40
Flex and Plug	Not included	Weight	BBS411 & BBS415 - 4.5kg - 5kg BBS417 - 3.3kg
Lifetime L70*	50,000hrs	Colour of housing	White, Silver
Unified Glare Ratio (UGR)	19	Application	Retail, Hospitality, Offices, Schools
		Accessories	Mounting bracket, ZBS415 SMB End caps, ZBS417 EP-S-LED SET
		Suspension Height - min/max	n/a
		Maximum Run Length	n/a

* = When the fitting reaches 70% of full potential (new)

COMMERCIAL CODE	I2NC	DESCRIPTION
SMARTFORM LED - CONTINUOUS LINE		
BBS41725W4KDMLO	910501965503	BBS417 LED24/840 PSD W9L120 MLO-PC PI
BBS41725W4KDO	910501965603	BBS417 LED24/840 PSD W9L120 O-PC PI
BBS41725W4KDLIN	910501965703	BBS417 LED24/840 PSD W9L120 LIN-PC PI
SMARTFORM LED - LIGHT BEAM SLIM		
BBS41125W4KDMLO	910501964603	BBS411 LED24/840 PSD W9L120 MLO-PC PI
BBS41125W4KDLIN	910501964803	BBS411 LED24/840 PSD W9L120 LIN-PC PI
SMARTFORM LED - LIGHT BEAM		
BBS41525W4KDMLO	910501963803	BBS415 LED24/840 PSD W15L120 MLO-PC PI
BBS41525W4KDLIN	910501964003	BBS415 LED24/840 PSD W15L120 LIN-PC PI
BBS41547W4KDMLO	910501964203	BBS415 LED48/840 PSD W15L120 MLO-PC PI
BBS41547W4KDLIN	910501964403	BBS415 LED48/840 PSD W15L120 LIN-PC PI



SmartBalance LED

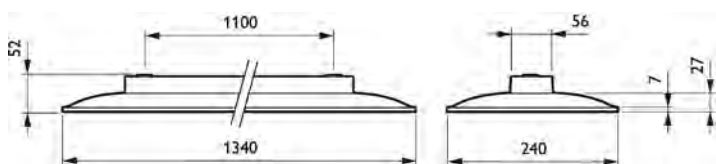
SmartBalance is clearly the next step in surface-mounted and suspended luminaires for the specification market. It not only offers increased energy efficiency, but is also visually appealing without being intrusive. And its design helps to minimize clutter on the ceiling and meets all relevant office norms.



Features and Benefits

- Perfect combination of innovative design and performance
- Energy efficacy of up to 90 lm/W
- Compact, lightweight and unobtrusive
- Office compliant - UGR 19 and two levels of L65, namely 1500/3000 cd/m²
- Aesthetical and novel design with visually better ceiling integration
- Wireless DALI-controllable and emergency lighting options available
- Direct and indirect lighting options available to create the right light levels for visual comfort and performance
- Connect up to 3 luminaires with coupling accessories

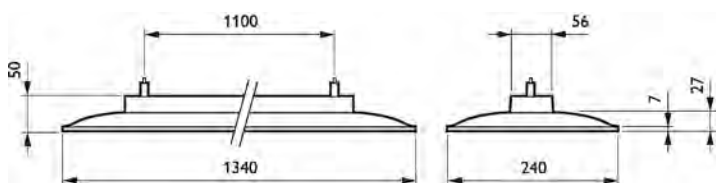
SM480C



Product ID	L (mm)	W (mm)	H (mm)
SM480C	1340	240	52
SP480P/ SP482P	1340	240	50

Dimensions in mm (Nominal) (H – including driver)

SP480P/SP482P





SmartBalance LED continued

SMARTBALANCE LED		Driver	Integrated driver
Family name	SmartBalance	Dimmable	Fixed output and DALI compatible
Model	SM480C - Surface SP480P - Suspended SP482P - Direct/Indirect Suspended	Installation	Surface and Suspended mounting
Lumen/Watt	ACC-MLO: 3500lm/ 40W AC/PC-MLO: 3000lm/ 41W Dir/Indir: 4050lm/ 48W	IP rating	IP40
Correlated Colour Temperature (CCT)	3000K, 4000K	Weight	SM480C - 4.5kg SP480P - 4.65kg SP482P - 4.55kg
Colour Rendering Index (CRI)	80	Colour of housing	White, Silver
Flex and Plug	Not included	Application	Retail, Hospitality, Offices, Schools
Lifetime L70*	50,000hrs	Accessories	Coupling pieces (SP480Z CP WH, SP480Z CP SI)
Unified Glare Ratio (UGR)	19	Suspension Height - min/max	n/a
Optics	AC-MLO: OLC micro-lens optic made of acrylic cover ACC-MLO: OLC micro-lens optic made of clear acrylic cover PC-MLO: OLC micro-lens optic made of polycarbonate	Maximum Run Length	n/a

* = When the fitting reaches 70% of full potential (new)

COMMERCIAL CODE	I2NC	DESCRIPTION
SMARTBALANCE LED - SURFACE MOUNTED		
SM480C41W3KDAC	910504084403	SM480C LED30S/830 PSD W24LI34 AC-MLO PI
SM480C41W3KDPC	910504084803	SM480C LED30S/830 PSD W24LI34 PC-MLO PI
SM480C40W4KDAC	910504084303	SM480C LED30S/840 PSD W24LI34 AC-MLO PI
SM480C40W4KDPC	910504084703	SM480C LED30S/840 PSD W24LI34 PC-MLO PI
SM480C41W3KDACC	910504084603	SM480C LED35S/830 PSD W24LI34 ACC-MLO PI
SM480C40W4KDACC	910504083603	SM480C LED35S/840 PSD W24LI34 ACC-MLO PI
SMARTBALANCE LED - SUSPENDED		
SP480P41W3KDAC	910504085003	SP480P LED30S/830 PSD W24LI34 AC-MLO SM2
SP480P40W4KDAC	910504084903	SP480P LED30S/840 PSD W24LI34 AC-MLO SM2
SP480P41W3KDACC	910504085203	SP480P LED35S/830 PSD ACC-MLO SM2 PI
SP480P40W4KDACC	910504083703	SP480P LED35S/840 PSD ACC-MLO SM2 PI
SP480P40W4KDPC	910504086303	SP480P LED30S/840 PSD W24LI34 PC-MLO SM2 PI SI
SMARTBALANCE LED - DIRECT/INDIRECT		
SP482P48W3KDAC	910504085403	SP482P LED40S/830 PSD W24LI34 AC-MLO SM2
SP482P48W4KDAC	910504085303	SP482P LED40S/840 PSD W24LI34 AC-MLO SM2
SP482P45W3KDACC	910504085603	SP482P LED40S/830 PSD ACC-MLO SM2 PI
SP482P43W4KDACC	910504083803	SP482P LED40S/840 PSD ACC-MLO SM2 PI
SP482P51W3KDPC	910504085803	SP482P LED40S/830 PSD W24LI34 PC-MLO SM2
SP482P49W4KDPC	910504085703	SP482P LED40S/840 PSD W24LI34 PC-MLO SM2
ACCESSORIES		
SP480ZCPWH	910403218203	SP480Z CP WH
SP480ZCPSI	910403218303	SP480Z CP SI



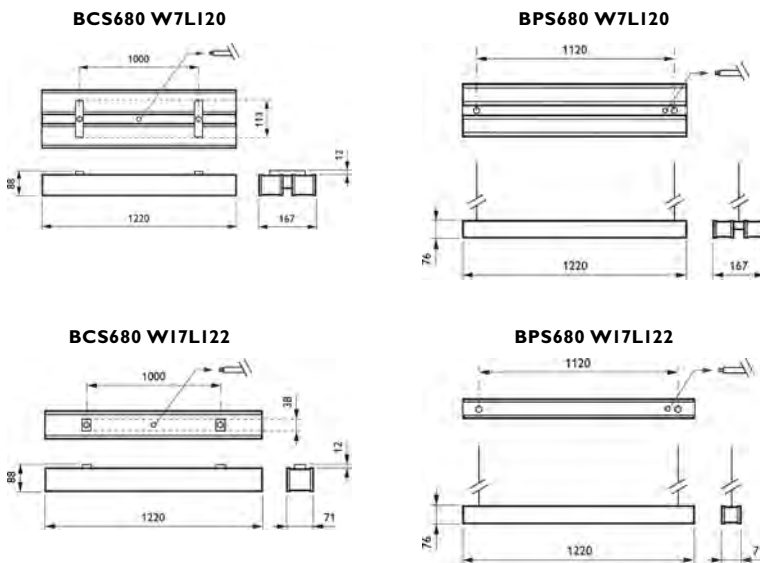
Celino LED

Celino LED is a complete luminaire range that reflects the market trend towards miniaturisation and architectural integration, while delivering a significant advance in optical performance. Made of natural anodised aluminium, the housing of Celino LED is a mere 71mm wide and has die cast- aluminium end caps.



Features and Benefits

- Compliance with latest office - lighting norm
- Complete luminaire range that reflects the trend to miniaturisation and architectural integration
- Excellent optical performance: optical covers for optimum visual comfort and efficiency
- Inspiring: aesthetical and novel design with visually better ceiling integration
- Comfort: spacious and pleasant environment with comfortable lighting appearance
- Efficient: high efficacy achieved with optics innovation



Product ID	L (mm)	W (mm)	H (mm)
BCS680 W7L120	1220	167	88
BPS680 W7L120	1220	167	76
BCS680 W17L122	1220	71	88
BPS680 W17L122	1220	71	76
Dimensions in mm (Nominal)			(H – including driver)



Celino LED continued

CELINO LED			
Family name	Celino LED	Driver	Integrated driver
Model	BCS680 - Surface BPS680 - Suspended	Dimmable	Fixed output and DALI compatible
Lumen/Watt	LIN-PC: 2050lm/ 23W (3000K) LIN-PC: 2050lm/ 21.5W (4000K) LIN-PC: 4100lm/ 46W (3000K) LIN-PC: 4100lm/ 43W (4000K) MLO-PC: 1650lm/ 23W (3000K) MLO-PC: 1650lm/ 21.5W (4000K) MLO-PC: 3300lm/ 46W (3000K) MLO-PC: 3300lm/ 43W (4000K)	Installation	Surface and Suspended mounting
Correlated Colour Temperature (CCT)	3000K, 4000K	IP rating	IP40
Colour Rendering Index (CRI)	80	Weight	W7L120 - 4.2kg W17L120 -7.8kg
Flex and Plug	Not included	Colour of housing	Housing: natural anodised aluminium, End caps: die-cast aluminium
Lifetime L70*	50,000hrs	Application	Retail, Hospitality, Offices, Healthcare
Unified Glare Ratio (UGR)	19	Accessories	n/a
Optics	LIN-PC: OLC micro-lens optic in polycarbonate cover MLO-PC: OLC micro-lens optic in polycarbonate cover	Suspension Height - min/max	n/a
		Maximum Run Length	n/a

* = When the fitting reaches 70% of full potential (new)

COMMERCIAL CODE	I2NC	DESCRIPTION
CELINO LED - SURFACE MOUNTED		
BSC68022W4KDMLO	910504074703	BCS680 LED24/840 PSD W7L122 MLO-PC
BSC68022W4KDLIN	910504074803	BCS680 LED24/840 PSD W7L122 LIN-PC
BSC68043W4KDMLO	910504074903	BCS680 LED48/840 PSD W17L122 MLO-PC
BSC68043W4KDLIN	910504075003	BCS680 LED48/840 PSD W17L122 LIN-PC
CELINO LED - SUSPENDED		
BPS68022W4KDMLO	910504075303	BPS680 LED24/840 PSD W7L122 MLO-PC SM2
BPS68022W4KDLIN	910504075403	BPS680 LED24/840 PSD W7L122 LIN-PC SM2
BSC68043W4KDMLO	910710101007	BPS680 LED48/840 PSD W17L122 MLO-PC SM2
BSC68043W4KDLIN	910710101001	BPS680 LED48/840 PSD W17L122 LIN-PC SM2
BPS68023W3KDMLO	910710101002	BPS680 LED24/830 PSD W7L122 MLO-PC SM2
BPS68023W3KDLIN	910710042296	BPS680 LED24/830 PSD W7L122 LIN-PC SM2



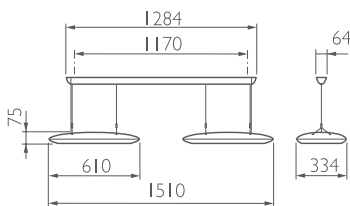
LumiStone LED

LumiStone is a LED luminaire consisting of two smaller ellipses rather than the traditional single voluminous piece. The ellipses have soft curvatures and resemble smooth stones found in nature. The flexible light effects created with direct and indirect light make LumiStone the perfect choice for inspiring lighting designs. Thanks to its cutting edge LED technology, LumiStone is also highly energy efficient, delivering immediate savings on operational costs.



Features and Benefits

- Inspiring design with elliptical modules
- Creates a truly inspiring environment with appealing design and indirect lighting
- Over 50% energy savings compared to a functional luminaire, and even more compared to decorative solutions
- Many variations thanks to innovative mounting options
- Choice of direct and direct/indirect lighting
- Office compliant for use in all office spaces



Product ID	L (mm)	W (mm)	H (mm)
SP524P/ SP526P	1510	334	75

Dimensions in mm (Nominal)

LumiStone LED continued

LUMISTONE LED			
Family name	LumiStone	Driver	Integrated driver
Model	SP524P - Direct SP526P - Direct/ Indirect	Dimmable	Fixed output and DALI compatible
Lumen/Watt	SP524P - Direct 4000lm/ 40W (3000K) 4000lm/ 38W (4000K) SP526P - Direct/ Indirect 3000lm/ 31W (3000K) 3000lm/ 29W (4000K)	Installation	Suspended mounting
Correlated Colour Temperature (CCT)	3000K, 4000K	IP rating	IP40
Colour Rendering Index (CRI)	80	Weight	SP524P - 6.15kg SP526P - 6.25kg
Flex and Plug	Not included	Colour of housing	White
Lifetime L70*	50,000hrs	Application	Retail, Hospitality, Offices
Unified Glare Ratio (UGR)	19	Accessories	Coupling pieces (SP480Z CP WH, SP480Z CP SI)
Optics	Poly-carbonate LED cup	Suspension Height - min/max	Between 20 and 150 cm from ceiling bar; cable stored in bar
		Maximum Run Length	n/a

* = When the fitting reaches 70% of full potential (new)

COMMERCIAL CODE	I2NC	DESCRIPTION
LUMISTONE LED - DIRECT LIGHTING		
SP524P31W3KDWH	910504080403	SP524P 2xLED15S/830 PSD DCB WH
SP524P29W4KDWH	910504080603	SP524P 2xLED15S/840 PSD DCB WH
LUMISTONE LED - DIRECT/ INDIRECT LIGHTING		
SP524P40W3KDWH	910504080803	SP526P 2xLED20S/830 PSD DCB WH
SP524P38W4KDWH	910504081003	SP526P 2xLED20S/840 PSD DCB WH

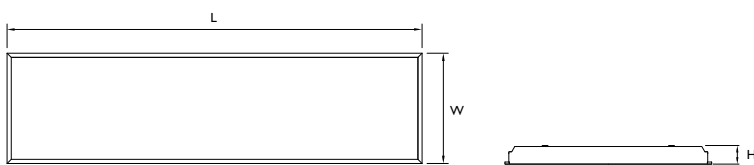
Sereno TBS 299

The TBS299 is a superior energy efficient solution that delivers excellent lighting performance and colour-rendering in any kind of interior application. With its sleek design and availability in 5 different lamp configurations, the TBS299 is the ideal recessed luminaire for all types of office spaces and public buildings.



Features and Benefits

- Rippled louvre reflectors made from high quality pre-anodised aluminium
- External hinged connection device enables easy top installation without the need to detach louvres
- Patented BatWing profiled steel housing substantially enhances distribution uniformity
- Features a high frequency electronic ballast to ensure flicker-free start and low energy consumption
- Complete with flex and plug
- Package includes T5 4000K lamps
- UGR19 - Office norm compliant



Product ID	L (mm)	W (mm)	H (mm)
TBS299/214	596	296	54
TBS299/314	596	596	54
TBS299/414	596	596	54
TBS299/228	1196	296	54
TBS299/328	1196	596	54

Dimensions in mm (Nominal)

TBS299				
Family name	TBS299	Louvre/Optics	Matt, ribbed cross louvres (M2)	
Lamp types	2 x 14W 3 x 14W 4 x 14W	2 x 28W 3 x 28W	Gear/Ballast	HFP – High Frequency Performer
Lamps included	Yes – Neutral White – 4000K	Dimmable	Dali on request	
Flex and Plug	Yes	Installation	Recessed	
Beam angle	n/a	Classification/IP rating	Class I, IP 20	
Office compliant/UGR	Yes - UGR 19	Colour/Materials	Matt white - Post painted steel	
		Accessories	n/a	

COMMERCIAL CODE	I2NC	DESCRIPTION
TBS299214W4KFM2	911401538201	TBS2992X14W840HFPM2W3
TBS299314W4KFM2	911401538301	TBS2993X14W840HFPM2W3
TBS299414W4KFM2	911401538401	TBS2994X14W840HFPM2W3
TBS299228W4KFM2	910403630654	TBS2992X28W840HFPM2W3
TBS299328W4KFM2	911401538501	TBS2993X28W840HFPM2W3

Sereno TBS 528/869

The Philips TBS 528 and 869 are a range of recessed TL5 luminaires that feature superior optics with Philips patented 3 Dimensional Omni-directional Luminance Control (OLC). This feature provides excellent performance in terms of efficiency, uniformity and glare.

Dimming options available on request



Main Applications:

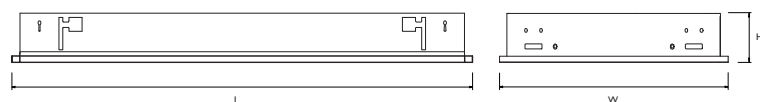
- Conference rooms, Retail and department stores, Schools, Childcare services
- Service Areas (Restaurant, Cafes) Reception and public service areas
- General Office areas and corridors

Choices of Optics:

- M8 for TBS528: Micro comfort optic, Matt finish, LOR up to 64%, UGR 16
- D8-H for TBS869: Micro high efficiency optic, Semi high gloss finish, LOR up to 86%, UGR 17

Main Features:

- Quick external connection without having to remove louvres
- Easy replacement of lamps, only have to remove 1 reflector
- Ultra Flat only 47mm deep
- Perforated infill panel
- Complete with flex & plug
- T5 4000K lamps included



Product ID	L (mm)	W (mm)	H (mm)
2 x TL5-14W	595	295	47
3 x TL5-14W	595	595	47
4 x TL5-14W	595	595	47
2 x TL5-28W	1195	295	47
3 x TL5-28W	1195	595	47

Dimensions in mm (Nominal)

Sereno TBS 528/869 continued

TBS528				
Family name	TBS528 TBS869		Louvre/Optics	TBS528 – Micro Comfort Optic – Matt Finish TBS869 – Micro high efficiency optic – Semi high gloss finish
Lamp types	2 x 14W 3 x 14W 4 x 14W	2 x 28W 3 x 28W	Gear/Ballast	HFP – High Frequency Performer
Lamps included	Yes – Neutral White 4000K		Dimmable	Dali on request
Flex and Plug	Yes		Installation	Recessed
Beam angle	n/a		Classification/IP rating	IP20
Office compliant/UGR	Yes – TBS528 – UGR16 Yes – TBS869 – UGR17		Colour/Materials	Housing: Post painted sheet steel in white
			Accessories	n/a

COMMERCIAL CODE	I2NC	DESCRIPTION
TBS 528		
TBS528214W4KFM8	910403390501	TBS5282X14W840HFPM8W3
TBS528228W4KFM8	910403390301	TBS5282X28W840HFPM8W3
TBS 869		
TBS8693144KFD8H	910403391901	TBS8693X14W840HFPD8HW3
TBS8694144KFD8H	911400699780	TBS8694X14W840HFPD8HW3
TBS8691284KFD8H	910403630652	TBS8691X28W840HFPD8HW3
TBS8692284KFD8H	911400699880	TBS8692X28W840HFPD8HW3
TBS869128WDD8H	910403630653	TBS8691X28WHFDD8HW3

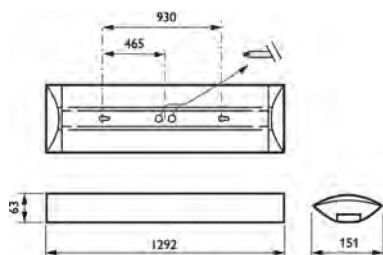
Modella TCS I25

Modella TCSI25 is a luminaire for TL-D and TL5 linear fluorescent lamps with an attractive design to suit all interiors. It comes with a choice of smooth, easy-to-clean opal or prismatic covers. The covers can be suspended from the end caps to allow easy lamp replacement without the need for any tools.



Features and Benefits

- Luminaire for TL-D and TL5 fluorescent lamps with an attractive design that blends in perfectly with all interiors
- Choice of smooth, easy-to-clean opal or prismatic covers
- Covers can be suspended from the end caps for easy lamp replacement with no need to use any tools
- TL5 4000K lamps included
- Choice of opal or prismatic covers
- Tool-less lamp replacement
- Suitable for: Offices, Retail, Hospitality and Industry



Product ID	L (mm)	W – fitting (mm)	W – mounting bracket (mm)
TCSI25	1292	151	63

Dimensions in mm (Nominal)

MODELLA			
Family name	TCSI25	Gear/Ballast	Integrated
Lamp types	2x28W 2x54W	Dimmable	n/a
Lamps included	Yes – Neutral White 4000K	Installation	Individual; screw ceiling mounting
Flex and Plug	n/a	Classification/IP rating	IP20
Beam angle	n/a	Colour/Materials	Housing: powder painted steel, white End Caps: plastic, white Cover: opal or prismatic, internally ribbed
Office compliant/UGR	n/a	Accessories	n/a
Louvre/Optics	Opal cover Prismatic cover		

COMMERCIAL CODE	I2NC	DESCRIPTION
TCSI252X28W4KO	910402425612	TCSI25 2Xtl5-28W/840 HFP Opal diffuser
TCSI252X28W4KP	910402425712	TCSI25 2Xtl5-28W/840 HFP Prismatic diffuser
TCSI252X54W4KO	910402435312	TCSI25 2Xtl5-54W/840 HFP Opal diffuser
TCSI252X54W4KP	910402435412	TCSI25 2Xtl5-54W/840 HFP Prismatic diffuser



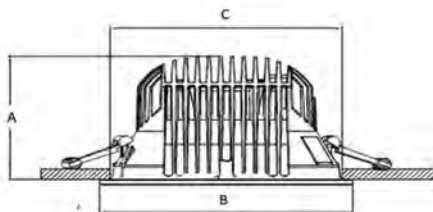
LuxSpace Gen III

Our highly energy-efficient LuxSpace family has now received a major upgrade, in the form of an improved system efficacy. The extremely low power consumption of this LED solution results in significant energy savings compared with traditional CFL downlights. There is also a range of different sizes and outputs, and an array of different accessories, ensuring maximum flexibility in customising the right light effect for your application. Best of all, this family of luminaires delivers specification grade performance, including a DALI dimming system, IP54 ingress protection (front part) and better glare control than ever before. These innovative downlights are ideal for applications in offices, shops, hotels and hospitals where an energy efficient general lighting solution is needed.



Features and Benefits

- Features the latest LED technology to deliver high system efficacy, resulting in up to 80% energy savings compared with conventional CFL downlights.
- Realises specification grade standards in visual comfort, performance and consistent colour rendering:
 - Better colour rendering: CRI80;
 - Better colour consistency.
- Provides more flexibility with a full range and different accessories.
- Compact curved design gives the luminaire a professional look.



Product ID	A (mm)	B (mm)	C (mm)
Micro - DN478	71	ø137	ø125
Mini - DN488/ DN489	88.5	ø163	ø150
Compact - DN486/ DN487	88.5	ø163	ø150
Compact Power - DN498/ DN499	119.5	ø218.3	ø200

Dimensions in mm (Nominal)

LUXSPACE GEN III

Family name	LuxSpace Gen III	Correlated Colour Temperature (CCT)	3000K, 4000K
Model	UGR 22 Range Micro - DN478 Mini - DN488 Compact - DN486 Compact Power - DN498 UGR 19 Range Mini - DN489 Compact - DN487 Compact Power - DN499	Colour Rendering Index (CRI)	80
Lumen/ Watt	3000K Micro - 8.5W/ 600lm Mini - 12W/ 960lm Compact - 18W/ 1450lm Compact Power -23W/ 1900lm 4000K Micro - 8.5W/ 640lm Mini - 12W/ 1000lm Compact - 18W/ 1500lm Compact Power -23W/ 2000lm	Flex and Plug	Yes
		Lifetime L70*	50,000hrs
		Unified Glare Ratio (UGR)	19, 22
		Driver	External DALI driver

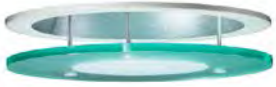
* = When the fitting reaches 70% of full potential (new)



LuxSpace Gen III continued

COMMERCIAL CODE	I2NC	DESCRIPTION
LUXSPACE 3 MICRO RECESSED DOWNLIGHT, UGR22		
DN4789W3KDWHG	911401800099	DN478 1xDLED-3000 PSD-E C WH CAU
DN4789W3KDWHM	911401800399	DN478 1xDLED-3000 PSD-E M WH CAU
DN4789W4KDWHG	911401800199	DN478 1xDLED-4000 PSD-E C WH CAU
DN4789W4KDWHM	911401800299	DN478 1xDLED-4000 PSD-E M WH CAU
LUXSPACE 3 MINI RECESSED DOWNLIGHT, UGR19		
DN48912W3KDWHG	911401801299	DN489 1xDLED-3000 PSD-E C WH CAU
DN48912W3KDWHM	911401801099	DN489 1xDLED-3000 PSD-E M WH CAU
DN48912W4KDWHG	911401801199	DN489 1xDLED-4000 PSD-E C WH CAU
DN48912W4KDWHM	911401801399	DN489 1xDLED-4000 PSD-E M WH CAU
LUXSPACE 3 MINI RECESSED DOWNLIGHT, UGR22		
DN48812W3KDWHG	911401800999	DN488 1xDLED-3000 PSD-E C WH CAU
DN48812W3KDWHM	911401800599	DN488 1xDLED-3000 PSD-E M WH CAU
DN48812W4KDWHG	911401800499	DN488 1xDLED-4000 PSD-E C WH CAU
DN48812W4KDWHM	911401800799	DN488 1xDLED-4000 PSD-E M WH CAU
LUXSPACE 3 COMPACT RECESSED DOWNLIGHT, UGR19		
DN48718W3KDWHG	911401802599	DN487 1xDLED-3000 PSD-E C WH CAU
DN48718W3KDWHM	911401802299	DN487 1xDLED-3000 PSD-E M WH CAU
DN48718W4KDWHG	911401802399	DN487 1xDLED-4000 PSD-E C WH CAU
DN48718W4KDWHM	911401802499	DN487 1xDLED-4000 PSD-E M WH CAU
LUXSPACE 3 COMPACT RECESSED DOWNLIGHT, UGR22		
DN48618W3KDWHG	911401801999	DN486 1xDLED-3000 PSD-E C WH CAU
DN48618W3KDWHM	911401802099	DN486 1xDLED-3000 PSD-E M WH CAU
DN48618W4KDWHG	911401801899	DN486 1xDLED-4000 PSD-E C WH CAU
DN48618W4KDWHM	911401802199	DN486 1xDLED-4000 PSD-E M WH CAU
LUXSPACE 3 COMPACT POWER RECESSED DOWNLIGHT, UGR19		
DN49923W3KDWHG	911401801599	DN499 1xDLED-3000 PSD-E C WH CAU
DN49918W3KDWHM	911401801799	DN499 1xDLED-3000 PSD-E M WH CAU
DN49918W4KDWHG	911401801699	DN499 1xDLED-4000 PSD-E C WH CAU
DN49918W4KDWHM	911401801499	DN499 1xDLED-4000 PSD-E M WH CAU
LUXSPACE 3 COMPACT POWER RECESSED DOWNLIGHT, UGR22		
DN49823W3KDWHG	911401802899	DN498 1xDLED-3000 PSD-E C WH CAU
DN49823W3KDWHM	911401802999	DN498 1xDLED-3000 PSD-E M WH CAU
DN49823W4KDWHG	911401802699	DN498 1xDLED-4000 PSD-E C WH CAU
DN49823W4KDWHM	911401802799	DN498 1xDLED-4000 PSD-E M WH CAU

LuxSpace Gen III - Accessories



Drop glass frosted middle
SG-FRC



Embedded frosted middle
GF-HR



Drop glass mattel bezel
SG-HR-FR



White adaptor ring
CFRM WH



Drop glass opal finish
SG-O



Grey adaptor ring
CFRM GR



Embedded frosted glass
GF



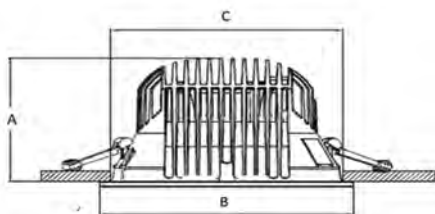
LuxSpace Gen III - IP54

Our highly energy-efficient LuxSpace family has now received a major upgrade, in the form of an improved system efficacy. The extremely low power consumption of this LED solution results in significant energy savings compared with traditional CFL downlights. There is also a range of different sizes and outputs, and an array of different accessories, ensuring maximum flexibility in customising the right light effect for your application. Best of all, this family of luminaires delivers specification grade performance, including a DALI dimming system, IP54 ingress protection (front part) and better glare control than ever before. These innovative downlights are ideal for applications in offices, shops, hotels and hospitals where an energy efficient general lighting solution is needed.



Features and Benefits

- Features the latest LED technology to deliver high system efficacy, resulting in up to 80% energy savings compared with conventional CFL downlights.
- Realises specification grade standards in visual comfort, performance and consistent colour rendering:
 - Better colour rendering: CRI80;
 - Better colour consistency.
- Provides more flexibility with a full range and different accessories.
- Compact curved design gives the luminaire a professional look.



Product ID	A (mm)	B (mm)	C (mm)
Micro - DN478 PG	71	ø137	ø125
Mini - DN488 PG	88.5	ø163	ø150
Compact Power - DN498 PG	119.5	ø218.3	ø200

Dimensions in mm (Nominal)



LuxSpace Gen III - IP54 continued

LUXSPACE GEN III - IP54			
Family name	LuxSpace Gen III - IP54	Unified Glare Ratio (UGR)	22
Model	Micro - DN478 PG Mini - DN488 PG Compact Power - DN498 PG	Driver	External Fixed driver
Lumen/ Watt	3000K Micro - 7W/ 600lm Mini - 10W/ 960lm Compact Power -20W/ 1900lm 4000K Micro - 7W/ 640lm Mini - 10W/ 1000lm Compact Power -20W/ 2000lm	Dimmable	No, fixed output only
Correlated Colour Temperature (CCT)	3000K, 4000K	Installation	Recessed mounting with flexible spring clips
Colour Rendering Index (CRI)	80	IP rating	IP54 (front cover only)
Flex and Plug	Yes	Colour of housing	White
Lifetime L70*	50,000hrs	Application	Retail, Hospitality, Offices
		Accessories	Adaptor ring (White/Grey)
		Reflector	Glossy
		Suspension Height - min/max	n/a
		Maximum Run Length	n/a

* = When the fitting reaches 70% of full potential (new)

COMMERCIAL CODE	I2NC	DESCRIPTION
LUXSPACE 3 MICRO RECESSED IP54 DOWNLIGHT		
DN4787W3KDWHGP	911401803299	DN478 1xDLED-3000 PSU-E C WH PG CAU
DN4787W4KDWHGP	911401803399	DN478 1xDLED-4000 PSU-E C WH PG CAU
LUXSPACE 3 MINI RECESSED IP54 DOWNLIGHT		
DN48810W3KDWHGP	911401803499	DN488 1xDLED-3000 PSU-E C WH PG CAU
DN48810W4KDWHGP	911401803599	DN488 1xDLED-4000 PSU-E C WH PG CAU
LUXSPACE 3 COMPACT POWER RECESSED IP54 DOWNLIGHT		
DN49820W3KDWHGP	911401803699	DN498 1xDLED-3000 PSU-E C WH PG CAU
DN49820W4KDWHGP	911401803799	DN498 1xDLED-4000 PSU-E C WH PG CAU



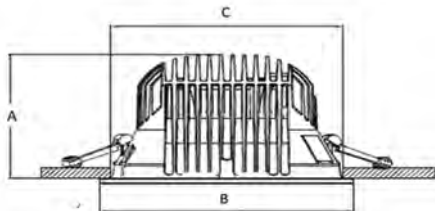
LuxSpace Gen III Wall-wash

Our highly energy-efficient LuxSpace family has now received a major upgrade, in the form of an improved system efficacy. The extremely low power consumption of this LED solution results in significant energy savings compared with traditional CFL downlights. There is also a range of different sizes and outputs, and an array of different accessories, ensuring maximum flexibility in customising the right light effect for your application. Best of all, this family of luminaires delivers specification grade performance, including a DALI dimming system, IP54 ingress protection (front part) and better glare control than ever before. These innovative downlights are ideal for applications in offices, shops, hotels and hospitals where an energy efficient general lighting solution is needed.



Features and Benefits

- Features the latest LED technology to deliver high system efficacy, resulting in up to 80% energy savings compared with conventional CFL downlights.
- Realises specification grade standards in visual comfort, performance and consistent colour rendering:
 - Better colour rendering: CRI80;
 - Better colour consistency.
- Provides more flexibility with a full range and different accessories.
- Compact curved design gives the luminaire a professional look.



Product ID	A (mm)	B (mm)	C (mm)
Mini - DN488 M-A	88.5	ø163	ø150
Compact Power - DN498 M-A	119.5	ø218.3	ø200

Dimensions in mm (Nominal)



LuxSpace Gen III Wall-wash continued

LUXSPACE GEN III WALL-WASH			
Family name	LuxSpace Gen III Wall-wash	Driver	External DALI driver
Model	Mini - DN488 M-A Compact Power - DN498 M-A	Dimmable	DALI Compatible
Lumen/ Watt	3000K Mini - 12W/ 960lm Compact Power -23W/ 1900lm 4000K Mini - 12W/ 1000lm Compact Power -23W/ 2000lm	Installation	Recessed mounting with flexible spring clips
Correlated Colour Temperature (CCT)	3000K, 4000K	IP rating	IP20
Colour Rendering Index (CRI)	80	Colour of housing	White
Flex and Plug	Yes	Application	Retail, Hospitality, Offices
Lifetime L70*	50,000hrs	Accessories	Adaptor ring (White/Grey)
Unified Glare Ratio (UGR)	22	Reflector	Matt
		Suspension Height - min/max	n/a
		Maximum Run Length	n/a

* = When the fitting reaches 70% of full potential (new)

COMMERCIAL CODE	I2NC	DESCRIPTION
LUXSPACE 3 MINI RECESSED WALL-WASH DOWNLIGHT		
DN48812W3KDWBMW	911401800899	DN488 1xDLED-3000 PSD-E M-A WH CAU
DN48812W4KDWBMW	911401800699	DN488 1xDLED-4000 PSD-E M-A WH CAU
LUXSPACE 3 COMPACT POWER RECESSED WALL-WASH DOWNLIGHT		
DN49823W3KDWBMW	911401803099	DN498 1xDLED-3000 PSD-E M-A WH CAU
DN49823W4KDWBMW	911401803199	DN498 1xDLED-4000 PSD-E M-A WH CAU



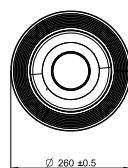
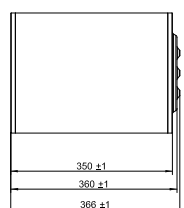
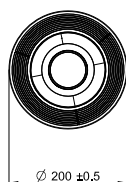
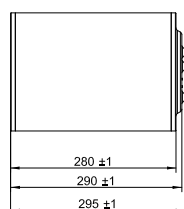
LuxSpace Gen II - Surface Mounted

LuxSpace Surface-mounted is designed for general lighting applications in offices and retail outlets. It features the latest LED technology, resulting in low power consumption compared to a typical CFL downlight, and delivers consistent light output, stable colour performance and high colour rendering. It is available in Mini and Compact versions. All offer a compact look and feel, and a perfect fit. They are very easy to install, and their long lifetime means an end to the hassle of relamping.



Features and Benefits

- Glare control (reflector optic)
- Good colour consistency and high colour rendering; extra sparkle
- Extremely long lifetime: more than five times longer than CFL lamps



Product ID	Height (mm)	Cutout (mm)
Mini - BCS488	295	200
Compact - BCS498	366	260

Dimensions in mm (Nominal)



LuxSpace Gen II - Surface Mounted continued

LUXSPACE GEN II - SURFACE MOUNTED

Family Name	LuxSpace Gen II - Surface Mounted	Unified Glare Ratio (UGR)	22
Model	Mini - BCS488 Compact - BCS498	Driver	External Fixed or DALI driver
Lumen/ Watt	3000K Mini - 1000lm/ 13W Compact - 2000lm/ 27W 4000K Mini - 1100lm/ 13W Compact - 2200lm/ 27W	Dimmable	Yes, DALI compatible dimming
Correlated Colour Temperature (CCT)	3000K, 4000K	Installation	Surface mounted
Colour Rendering Index (CRI)	80	IP rating	IP20
Flex and Plug	No	Colour of housing	White
Lifetime L70*	50,000 hrs	Application	Retail, Hospitality, Offices
		Accessories	N/A
		Reflector	Glossy
		Suspension Height - min/max	N/A
		Maximum Run Length	N/A

* = When the fitting reaches 70% of full potential (new)

COMMERCIAL CODE	I2NC	DESCRIPTION
LUXSPACE MINI SURFACE MOUNTED DOWNLIGHT		
BCS48813W3KDWHG	911401535701	BCS488 C 1xDLED-3000 PSD-E C WH
BCS48813W4KDWHG	911401535001	BCS488 C 1xDLED-4000 PSD-E C WH
LUXSPACE COMPACT SURFACE MOUNTED DOWNLIGHT		
BCS49827W3KDWHG	911401535301	BCS498 C 1xDLED-3000 PSD-E C WH
BCS49827W4KDWHG	911401535401	BCS498 C 1xDLED-4000 PSD-E C WH



GreenAccent Gen II

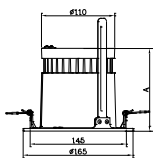
The new GreenAccent LED accent luminaire has a refined finish, and the 4 different mounting options make it possible to address an environment's accent lighting needs while retaining the same visual concept. With optimized service life in the segment and high energy efficiency, it allows the replacement of traditional metal vapour lamp systems with high quality lighting and faithful colour rendering.



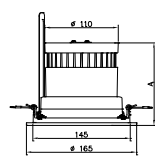
Features and Benefits

- Professional optical design to ensure beam quality and outstanding 'PUNCH' effect
- Constant colour consistency and colour homogeneity over the lifetime
- Equivalent to 35W, 70W CDM solution, energy saving up to 35%
- Optimized heat sink design, enabling 40k hrs long lifetime
- Multiple types to choose from, creating ideal shop lighting environments

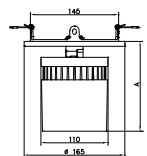
RS280B



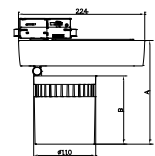
RS281B



ST281C



ST281T



Product ID	Depth (mm)	Width (mm)	Cutout (mm)
RS280B 26.5W	125	145	ø165
RS280B 54W	120	145	ø165
RS281B 26.5W	125	145	ø165
RS281B 54W	120	145	ø165
ST281C 26.5W	147	110	ø165
ST281C 54W	142	110	ø165
ST281T 26.5W	184	110	ø110
ST281T 54W	179	110	ø110

Dimensions in mm (Nominal)

GREENACCENT GEN II

Family Name	GreenAccent Gen II	Driver	External driver
Model	RS280B - Recessed Fixed RS281B - Recessed Adjustable ST281C - Semi-recessed ST281T - Track	Dimmable	Fixed output (Dali dimming available on request)
Lumen/ Watt	1750lm/ 26.5W (3000K) 1900lm/ 26.5W (4000K) 3700lm/ 54W (3000K) 3900lm/ 54W (4000K)	Installation	Recessed fixed, Recessed adjustable, Semi-Recessed, Track
Correlated Colour Temperature (CCT)	3000K, 4000K	IP rating	IP20
Colour Rendering Index (CRI)	80	Weight	RS280B/ RS281B - 1.2kg ST281C/ ST281T - 1.1kg
Flex and Plug	Not included (available on request)	Colour of housing	Recessed fixed/ Recessed adjustable - White only Semi-recessed/ Track - White, Black
Lifetime L70*	40,000hrs	Application	Retail, Hospitality, Offices
Unified Glare Ratio (UGR)	11 - 15	Accessories	Smart Tracks
Optics	Vacuum aluminium plating on PC reflector, 54W version - anti-reflection coating glass applied	Suspension Height - min/max	NA
		Maximum Run Length	NA

* = When the fitting reaches 70% of full potential (new)



GreenAccent Gen II continued

COMMERCIAL CODE	I2NC	DESCRIPTION
GREENACCENT II LED20 SEMI-RECESSED		
ST28IC27W3KFWHM	911401700062	ST28IC LED20/830 PSU-E MB WH
ST28IC27W3KFWHW	911401700072	ST28IC LED20/830 PSU-E WB WH
ST28IC27W3KFWHN	911401700052	ST28IC LED20/830 PSU-E NB WH
ST28IC27W3KFBKM	911401700122	ST28IC LED20/830 PSU-E MB BK
ST28IC27W3KFBKW	911401700132	ST28IC LED20/830 PSU-E WB BK
ST28IC27W3KFBKN	911401700112	ST28IC LED20/830 PSU-E NB BK
ST28IC27W4KFWHM	911401700092	ST28IC LED20/840 PSU-E MB WH
ST28IC27W4KFWHW	911401700102	ST28IC LED20/840 PSU-E WB WH
ST28IC27W4KFWHN	911401700082	ST28IC LED20/840 PSU-E NB WH
ST28IC27W4KFBKW	911401700162	ST28IC LED20/840 PSU-E WB BK
ST28IC27W4KFBKM	911401700152	ST28IC LED20/840 PSU-E MB BK
ST28IC27W4KFBKN	911401700142	ST28IC LED20/840 PSU-E NB BK
GREENACCENT II LED40 SEMI-RECESSED		
ST28IC54W3KFBKW	911401700532	ST28IC LED40/830 PSU-E WB BK
ST28IC54W3KFBKM	911401700522	ST28IC LED40/830 PSU-E MB BK
ST28IC54W3KFBKN	911401700472	ST28IC LED40/830 PSU-E NB BK
ST28IC54W3KFWHW	911401700452	ST28IC LED40/830 PSU-E WB WH
ST28IC54W3KFWHM	911401700442	ST28IC LED40/830 PSU-E MB WH
ST28IC54W3KFWHN	911401700412	ST28IC LED40/830 PSU-E NB WH
ST28IC54W4KFBKW	911401700512	ST28IC LED40/840 PSU-E WB BK
ST28IC54W4KFBKM	911401700492	ST28IC LED40/840 PSU-E MB BK
ST28IC54W4KFBKN	911401700502	ST28IC LED40/840 PSU-E NB BK
ST28IC54W4KFWHW	911401700422	ST28IC LED40/840 PSU-E WB WH
ST28IC54W4KFWHM	911401700462	ST28IC LED40/840 PSU-E MB WH
ST28IC54W4KFWHN	911401700432	ST28IC LED40/840 PSU-E NB WH
GREENACCENT II LED20 RECESSED FIXED		
RC280B27W3KFWHM	911401799601	RS280B LED20/830 PSU-E MB WH
RC280B27W3KFWHW	911401799701	RS280B LED20/830 PSU-E WB WH
RC280B27W3KFWHN	911401799501	RS280B LED20/830 PSU-E NB WH
RC280B27W4KFWHW	911401535311	RS280B LED20/840 PSU-E WB WH
RC280B27W4KFWHM	911401799901	RS280B LED20/840 PSU-E MB WH
RC280B27W4KFWHN	911401799801	RS280B LED20/840 PSU-E NB WH
GREENACCENT II LED40 RECESSED FIXED		
RC280B54W3KFWHM	911401700302	RS280B LED40/830 PSU-E MB WH
RC280B54W3KFWHW	911401700332	RS280B LED40/830 PSU-E WB WH
RC280B54W3KFWHN	911401700292	RS280B LED40/830 PSU-E NB WH
RC280B54W4KFWHW	911401700342	RS280B LED40/840 PSU-E WB WH
RC280B54W4KFWHM	911401700322	RS280B LED40/840 PSU-E MB WH
RC280B54W4KFWHN	911401700312	RS280B LED40/840 PSU-E NB WH



GreenAccent Gen II continued

COMMERCIAL CODE	I2NC	DESCRIPTION
GREENACCENT II LED20 RECESSED ADJUSTABLE		
RC28IB27W3KFWHM	911401799401	RS28IB LED20/830 PSU-E MB WH
RC28IB27W3KFWHW	911401700012	RS28IB LED20/830 PSU-E WB WH
RC28IB27W3KFWHN	911401700002	RS28IB LED20/830 PSU-E NB WH
RC28IB27W4KFWHM	911401700032	RS28IB LED20/840 PSU-E MB WH
RC28IB27W4KFWHW	911401700042	RS28IB LED20/840 PSU-E WB WH
RC28IB27W4KFWHN	911401700022	RS28IB LED20/840 PSU-E NB WH
GREENACCENT II LED40 RECESSED ADJUSTABLE		
RC28IB54W3KFWHW	911401700392	RS28IB LED40/830 PSU-E WB WH
RC28IB54W3KFWHM	911401700382	RS28IB LED40/830 PSU-E MB WH
RC28IB54W3KFWHN	911401700352	RS28IB LED40/830 PSU-E NB WH
RC28IB54W4KFWHW	911401700372	RS28IB LED40/840 PSU-E WB WH
RC28IB54W4KFWHM	911401700362	RS28IB LED40/840 PSU-E MB WH
RC28IB54W4KFWHN	911401700402	RS28IB LED40/840 PSU-E NB WH
GREENACCENT II LED20 TRACK		
ST28IT27W3KFWHM	911401700182	ST28IT LED20/830 PSU-E MB IC WH
ST28IT27W3KFWHW	911401700192	ST28IT LED20/830 PSU-E WB IC WH
ST28IT27W3KFWHN	911401700172	ST28IT LED20/830 PSU-E NB IC WH
ST28IT27W3KFBKM	911401700232	ST28IT LED20/830 PSU-E MB IC BK
ST28IT27W3KFBKW	911401700242	ST28IT LED20/830 PSU-E WB IC BK
ST28IT27W3KFBKN	911401700252	ST28IT LED20/830 PSU-E NB IC BK
ST28IT27W4KFWHW	911401700212	ST28IT LED20/840 PSU-E WB IC WH
ST28IT27W4KFWHM	911401700222	ST28IT LED20/840 PSU-E MB IC WH
ST28IT27W4KFWHN	911401700202	ST28IT LED20/840 PSU-E NB IC WH
ST28IT27W4KFBKW	911401700262	ST28IT LED20/840 PSU-E WB IC BK
ST28IT27W4KFBKM	911401700282	ST28IT LED20/840 PSU-E MB IC BK
ST28IT27W4KFBKN	911401700272	ST28IT LED20/840 PSU-E NB IC BK
GREENACCENT II LED40 TRACK		
ST28IT54W3KFBKM	911401700642	ST28IT LED40/830 PSU-E MB IC BK
ST28IT54W3KFBKW	911401700602	ST28IT LED40/830 PSU-E WB IC BK
ST28IT54W3KFBKN	911401700592	ST28IT LED40/830 PSU-E NB IC BK
ST28IT54W3KFWHM	911401700552	ST28IT LED40/830 PSU-E MB IC WH
ST28IT54W3KFWHW	911401700542	ST28IT LED40/830 PSU-E WB IC WH
ST28IT54W3KFWHN	911401700482	ST28IT LED40/830 PSU-E NB IC WH
ST28IT54W4KFBKM	911401700622	ST28IT LED40/840 PSU-E MB IC BK
ST28IT54W4KFBKW	911401700612	ST28IT LED40/840 PSU-E WB IC BK
ST28IT54W4KFBKN	911401700632	ST28IT LED40/840 PSU-E NB IC BK
ST28IT54W4KFWHM	911401700562	ST28IT LED40/840 PSU-E MB IC WH
ST28IT54W4KFWHW	911401700572	ST28IT LED40/840 PSU-E WB IC WH
ST28IT54W4KFWHN	911401700582	ST28IT LED40/840 PSU-E NB IC WH



GreenAccent Gen II continued

COMMERCIAL CODE	I2NC	DESCRIPTION
TRACK ACCESSORIES		
RCSI70IMBK	911400893780	RCSI70 3C LI000 BK
RCSI70IMGR	911400893880	RCSI70 3C LI000 GR
RCSI70IMWH	911400893980	RCSI70 3C LI000 WH
RCSI702MBK	911400894080	RCSI70 3C L2000 BK
RCSI702MGR	911400894180	RCSI70 3C L2000 GR
RCSI702MWH	911400894280	RCSI70 3C L2000 WH
ZCSI70ICPBK	911400894380	ZCSI70 3C ICP BK
ZCSI70ICPGR	911400894480	ZCSI70 3C ICP GR
ZCSI70ICPWH	911400894580	ZCSI70 3C ICP WH
ZCSI70LCPBK	911400894680	ZCSI70 3C LCP BK
ZCSI70LCPGR	911400894780	ZCSI70 3C LCP GR
ZCSI70LCPWH	911400894880	ZCSI70 3C LCP WH
ZCSI70TCPBK	911400894980	ZCSI70 3C TCP BK
ZCSI70TCPGR	911400895080	ZCSI70 3C TCP GR
ZCSI70TCPWH	911400895180	ZCSI70 3C TCP WH



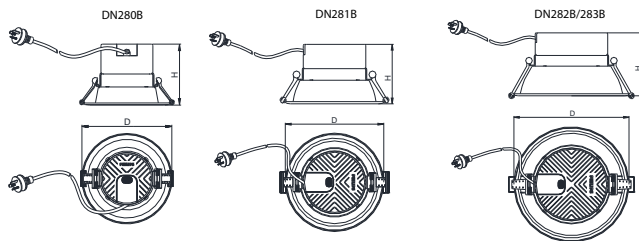
GreenSpace Gen III

GreenSpace is an optimised LED downlight. Featuring a simple yet robust integrated design and high system efficacy, it offers customers a sustainable solution with a return on investment within one to three years. It conforms to general lighting norms for offices, shops and other indoor applications. GreenSpace also offers very good colour rendering, while a diffuser cover ensures superior uniformity and glare control. Its long lifetime makes it a true 'fit and forget' solution. This optimised downlight can be used in environments requiring a 'green' general lighting solution, for instance offices, shops, hotels and hospitals.



Features and Benefits

- Light efficacy of up to 93lm/w
- Uniform and diffused lighting effect
- Improved PMMA material; higher diffusion rate
- Superior heat sink design
- Superior solution for retrofitting
- Long lifetime: 50,000 hours



Product ID	Depth (mm)	Height (mm)	Cutout (mm)
DN280B (White)	139	96	ø105 - 110
DN280B (Aluminium)	121	94	ø105 - 110
DN281B (White)	187	103	ø150 - 155
DN281B (Aluminium)	170	103	ø150 - 155
DN282B/ DN283B (White/ Aluminium)	234	117	ø200 - 205
DN280Z Adaptor Ring (White)	138		
DN281Z Adaptor Ring (White)	185		
DN282Z/ DN283Z Adaptor Ring (White)	249		

Dimensions in mm (Nominal)

GREENSPACE GEN III			
Family Name	GreenSpace Gen III	Lifetime L70*	50,000hrs
Model	DN280B - Micro DN281B - Mini DN282B - Compact DN283B - Compact Power	Unified Glare Ratio (UGR)	≥23-25
Lumen/ Watt	R-Series (White) DN280B - 600lm/ 7W DN281B - 1050lm/ 11.6W DN282B - 1550lm/ 17.4W DN283B - 2100lm/ 23W O-Series (Aluminium) DN280B ALU - 600lm/ 7W DN281B ALU PR - 550lm/ 6W DN281B ALU - 1000lm/ 11.6W DN282B ALU - 1500lm/ 17.4W DN283B ALU - 2000lm/ 23W	Dimmable	Non-dimmable. Fixed output only.
Correlated Colour Temperature (CCT)	3000K, 4000K	Installation	Recessed mounting with flexible spring clips
Colour Rendering Index (CRI)	83	IP rating	IP20
Flex and Plug	Yes	Weight	DN280B - 0.18kg DN281B - 0.28kg DN282B/ DN283B - 0.38kg
Optics	MCPET high reflective film, anti fog, high permeable diffusion sheet	Colour of housing	White, Aluminium
Driver	Integrated driver	Application	Retail, Hospitality, Offices
		Accessories	Adaptor rings
		Suspension Height - min/max	NA
		Maximum Run Length	NA

* = When the fitting reaches 70% of full potential (new)



GreenSpace Gen III continued

COMMERCIAL CODE	I2NC	DESCRIPTION
GREENSPACE III MICRO DOWNLIGHT WHITE		
DN280B7W3KFWH	911401575811	DN280B 1xDLED-3000 PSU WH CAU
DN280B7W4KFWH	911401575911	DN280B 1xDLED-4000 PSU WH CAU
GREENSPACE III MINI DOWNLIGHT WHITE		
DN281B12W3KFWH	911401576011	DN281B 1xDLED-3000 PSU WH CAU
DN281B12W4KFWH	911401576111	DN281B 1xDLED-4000 PSU WH CAU
GREENSPACE III COMPACT DOWNLIGHT WHITE		
DN282B17W3KFWH	911401576411	DN282B 1xDLED-3000 PSU WH CAU
DN282B17W4KFWH	911401576511	DN282B 1xDLED-4000 PSU WH CAU
GREENSPACE III COMPACT POWER DOWNLIGHT WHITE		
DN283B23W3KFWH	911401576611	DN283B 1xDLED-3000 PSU WH CAU
DN283B23W4KFWH	911401576711	DN283B 1xDLED-4000 PSU WH CAU
GREENSPACE III MICRO DOWNLIGHT ALUMINIUM		
DN280B7W3KFALU	911401577211	DN280B 1xDLED-3000 PSU ALU G CAU
DN280B7W4KFALU	911401577311	DN280B 1xDLED-4000 PSU ALU G CAU
GREENSPACE III MINI DOWNLIGHT ALUMINIUM		
DN281B6W3KFALU	911401577411	DN281B 1xDLED-3000 PSU ALU PR CAU
DN281B6W4KFALU	911401577511	DN281B 1xDLED-4000 PSU ALU PR CAU
DN281B12W3KFALU	911401577611	DN281B 1xDLED-3000 PSU ALU G CAU
DN281B12W4KFALU	911401577711	DN281B 1xDLED-4000 PSU ALU G CAU
GREENSPACE III COMPACT DOWNLIGHT ALUMINIUM		
DN282B17W3KFALU	911401577811	DN282B 1xDLED-3000 PSU ALU G CAU
DN282B17W4KFALU	911401577911	DN282B 1xDLED-4000 PSU ALU G CAU
GREENSPACE III COMPACT POWER DOWNLIGHT ALUMINIUM		
DN283B23W3KFALU	911401578011	DN283B 1xDLED-3000 PSU ALU G CAU
DN283B23W4KFALU	911401578111	DN283B 1xDLED-4000 PSU ALU G CAU
GREENSPACE III ADAPTOR RINGS		
DN280Z138MMWH	911401700852	DN280Z AD Adaptor Ring
DN281Z185MMWH	911401700862	DN281Z AD Adaptor Ring
DN282Z249MMWH	911401700872	DN282Z AD Adaptor Ring
DN283Z249MMWH	911401700882	DN283Z AD Adaptor Ring



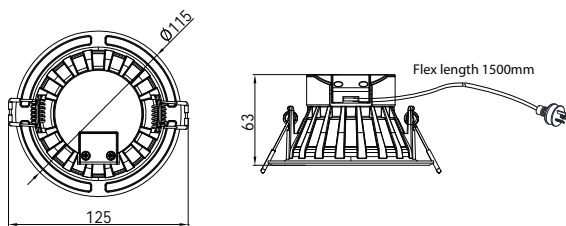
Essential Downlight LED

The Essential LED downlight is the latest offering in the Philips 90mm downlight portfolio. Offering energy savings of up to 75%, long lifetime, and dimmability, this simple retrofit solution is perfect for both residential and commercial applications. With a low profile, and flush finish, the product is easy to install, and will look subtle in the ceiling space.



Features and Benefits

- Fit the application - 3000K/ 4000K CCT, CRI80, high consistency
- White Rim - Fused with white ceiling
- Bright - 800 lm
- Saving - Only 12W power consumption, vs 50W halogen
- Longer lasting - 25k hours lifetime vs 3k hours of halogen
- 90mm cutout - Easily replace your halogen spotlight
- Plug and Play - Prewired with 1.5m flex and 3-pin plug
- High compatibility - Can work with selected leading/trailing edge dimmers



Product ID	Width (mm)	Depth (mm)	Cutout (mm)
DNI05B	115	63	ø92

Dimensions in mm (Nominal)

ESSENTIAL DOWNLIGHT LED

Family Name	Essential Downlight LED	Driver	Integrated driver
Model	DNI05B	Dimmable	Selected Universal, Trailing/ Leading edge dimmers.
Lumen/ Watt	800lm/ 12W	Installation	Recessed
Lamp Colour	3000K, 4000K	IP rating	IP20
Colour Rendering Index (CRI)	80	Colour of housing	White
Flex and Plug	Yes	Application	Residential, Retail, Hospitality, Commercial
Lifetime L70*	25,000 hrs	Accessories	NA
Unified Glare Ratio (UGR)	n/a	Suspension Height - min/max	NA
Optics	100D	Maximum Run Length	NA

* = When the fitting reaches 70% of full potential (new)

COMMERCIAL CODE	I2NC	DESCRIPTION
DNI05B12W3KDIM	911401589111	DNI05B 1xLED/830 WH 100D
DNI05B12W4KDIM	911401589211	DNI05B 1xLED/840 WH 100D



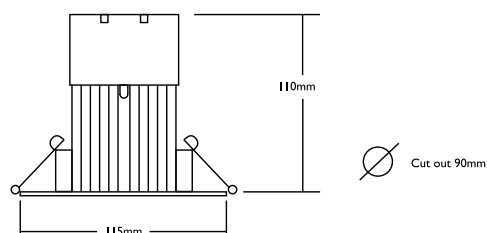
SmartBright Mini Dimmable LED

Consuming just 11W of energy and designed to replace MRI16 halogen downlights, the new dimmable SmartBright Mini is a true fit and forget solution. It is compatible with a number of universal leading and trailing edge dimmers, has a long lifetime and offers up to 75% energy savings in 90mm downlight cutouts.



Features and Benefits

- Fit the application - 3000K/ 4000K CCT, CRI80, high consistency
- White Rim - Fused with white ceiling
- High gloss reflector - Efficient and stylish
- Brighter - 700lm output, 10% brighter than standard MRI16 Halogen
- Saving - Only 11W power consumption, vs 50W halogen
- Longer lasting - 25k hours lifetime vs 3k hours of halogen
- 90mm cutout - Easily replace your halogen spotlight
- Plug and Play - Prewired with 1.2m flex and 3-pin plug
- High compatibility - Can work with your existing leading/trailing edge dimmers



Product ID	Cutout (mm)	Diameter (mm)	Height (mm)
DNI01B	90	115	110

Dimensions in mm (Nominal)

SMARTBRIGHT MINI DIMMABLE LED

Family Name	SmartBright Mini Dimmable LED	Dimmable	Selected Universal, Trailing/ Leading edge dimmers. Please refer to www.philips.com.au for dimming details.
Model	DNI01B	Installation	Recessed
Lumen/ Watt	700lm/ 11W	IP rating	IP20
Lamp Colour	3000K, 4000K	Weight	DNI01B - 0.47kg
Colour Rendering Index (CRI)	80	Colour of housing	White
Flex and Plug	Yes	Application	Residential, Retail, Hospitality, Commercial
Lifetime L70*	25,000 hrs	Accessories	NA
Unified Glare Ratio (UGR)	n/a	Suspension Height - min/max	NA
Optics	60D	Maximum Run Length	NA
Driver	Integrated driver		

* = When the fitting reaches 70% of full potential (new)

COMMERCIAL CODE	I2NC	DESCRIPTION
DNI01B11W3KDIM	911401534611	DNI01B 1x DLED/830 WH 60D 1x
DNI01B11W4KDIM	911401534711	DNI01B 1x DLED/840 WH 60D 1x



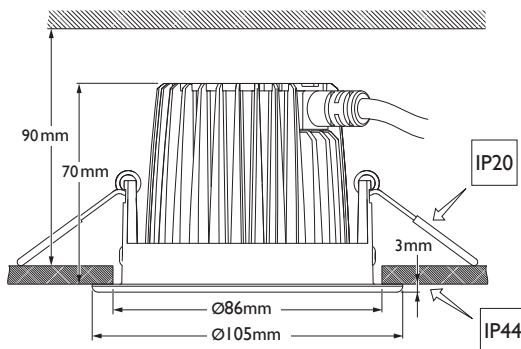
CoreLine ProSet

CoreLine ProSet is a high quality 90mm downlight, offering superb lifetime of 50,000 hours, and IP44 rating so that it can be used in bathrooms as well as other typical residential and commercial applications. With adjustable ring, this product offers fantastic versatility to direct the light exactly where you want to put it. Consuming only 13W of energy, this product will deliver up to 75% energy savings, with even further savings possible through dimmability.



Features and Benefits

- Fit the application - 3000K/ 4000K CCT, CRI80, high consistency
- Fixed and Adjustable fittings, white finish
- High Output - 640lm output
- Saving - Only 13W power consumption, vs 50W halogen
- Long lasting - 50k hours lifetime vs 3k hours of halogen
- 90mm cutout - Easily replace your halogen spotlight
- Plug and Play - Prewired with 1.2m flex and 3-pin plug
- High compatibility - Extensive leading edge dimmer compatibility list
- IP44 - Applicable for Bathrooms



Product ID	Width (mm)	Height (mm)	Cut-out (mm)
RS121B	105	73	ø86

Dimensions in mm (Nominal)

CORELINE PROSET DOWNLIGHT

Family Name	CoreLine ProSet Downlight	Dimmable	"Selected Leading edge dimmers. Please refer to www.philips.com.au for dimming details."
Model	RS121B - Adjustable	Installation	Recessed Adjustable
Lumen/ Watt	640lm/ 13W	IP rating	IP44
Lamp Colour	3000K, 4000K	Weight	RS121B - 0.33kg
Colour Rendering Index (CRI)	80	Colour of housing	White
Flex and Plug	Yes	Application	Residential, Retail, Hospitality, Commercial
Lifetime L70*	50,000 hrs	Accessories	NA
Unified Glare Ratio (UGR)	n/a	Suspension Height - min/max	NA
Optics	40D	Maximum Run Length	NA
Driver	Integrated driver		

* = When the fitting reaches 70% of full potential (new)

COMMERCIAL CODE	I2NC	DESCRIPTION
RS121B13W3KDIM	911401575511	RS121B LED6-40-/830 PSR WH CAU
RS121B13W4KDIM	911401575711	RS121B LED6-40-/840 PSR WH CAU



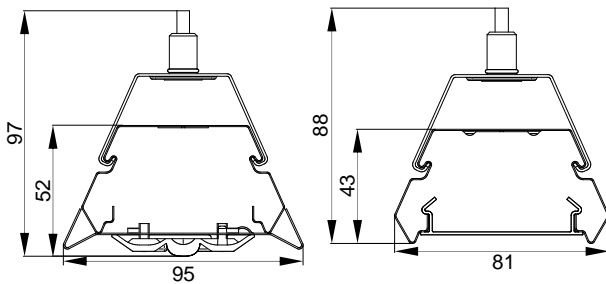
CoreLine Trunking

CoreLine Trunking solution offers a continuous line of light, creating uniformity across the intended space. The product is easy to install, with a simple starter pack per line of light, and easy access via a clever mount and clip device. The product is available in multiple lumen packages and lengths, as well as DALI dimmable option. The latest LED technology now means we can now achieve 100lm/w system efficacy, whilst achieving long lifetime of 50,000 hours. This product is suitable for many applications, especially retail and industry application.



Features and Benefits

- Up to 54% more efficient than average conventional Trunking systems, with 100lm/W system efficiency
- Functional design with 4 dedicated beam shapes (Wide, Narrow, Medium, Double Asymmetric)
- Dimmable (DALI) for even more energy savings
- Comfortable light with up to 8000 lumen per 1.7m
- Highlights merchandise with a 'sparkling' effect
- One volume architecture for fast installation and less packaging waste



Product ID	Depth (mm)	Height (mm)	Cutout (mm)
LLI20X	95	97	3450
LLI21X	95	97	1725

Dimensions in mm (Nominal)

CORELINE TRUNKING

Family Name	CoreLine Trunking
Model	LLI20X - 3.4m LLI21X - 1.7m
Lumen/ Watt	9000lm/ 90W 4500lm/ 45W
CCT	4000K
Colour Rendering Index (CRI)	>80
Flex and Plug	5 or 7 wire connection
Lifetime L70*	50,000hrs
Unified Glare Ratio (UGR)	n/a
Optics	NB/ MB/ WB/ DA30
Driver	Philips Xitanium Driver
Dimmable	PSU (Fixed), or PSD (Dali)

Installation	Surface/ Suspension Wire
IP rating	IP20
Weight	3400mm - 7.5kg 1700mm - 4.5kg
Colour of housing	White
Application	Industry, Retail
Accessories	Surface/ Suspension Mounting Bracket Starter Kit per aisle of light - Incl. starting and end cap, connector to mains, and first suspension Alternative accessories on request
Suspension Height - min/max	3m/ 12m
Maximum Run Length	NA

* = When the fitting reaches 70% of full potential (new)



GreenPerform LED Batten

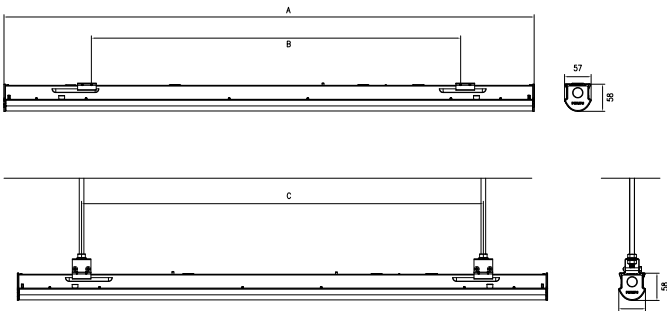
GreenPerform LED Batten is a high quality LED batten and a high system efficacy that delivers significant energy savings of up to 50% as compared to conventional T8 battens. With a reliable and robust housing structure, this maximizes the endurance and contributes to its long lifetime.

With its flexible optics and mounting accessories, it is suitable for symmetrical, asymmetrical, direct and indirect lighting applications. It can be used in a wide variety of applications.



Features and Benefits

- High quality LED batten equivalent to a 2x36W T8 or 2x28W T5
- System efficacy reaches 100lm/W, up to 50% energy saving compared to T8 Batten with same light level
- Integrated design, slim profile, easy to install
- Good colour uniformity and colour rendering (CRI>80)
- Reliable and robust housing structure, maximise the endurance over the life time
- Suitable for both direct and indirect lighting application with flexible optics and mounting accessories
- Provides for continuous line of light due to inline connector between battens, max.25 pcs in connection



Product ID	A	B	C
BN208C LED20/L600	573	365±20	385±20
BN208C LED40/L1200	1135	823±20	843±20
BN209C LED40/L1200	1135	823±20	843±20

Dimensions in mm (Nominal)



GreenPerform LED Batten continued

GREENPERFORM LED BATTEN			
Family name	BN208C Standalone – 600/1200mm	BN209C Trunkable – 1200mm	Driver Philips Xitanium® Driver
Lumen/Watt	2000lm/20w – 2x18W T8 replacement 4000lm/40w – 2x36W T8 replacement	4000lm/40W – 2x36W T8 replacement	Dimmable No
Lamp Colour	Neutral White 4000K		Installation Surface / Suspension
Colour Rendering Index	>80		Classification/IP rating IP20
Flex and Plug	n/a		Colour/Materials Housing: 0.6mm SPCC Cover: PMMA
Lifetime L70*	50,000 hours		Accessories Surface Mounting Bracket symmetric Surface Mounting Bracket asymmetric Suspension Pole Connection Block Connecting Cable Power Cable
Office compliant/UGR	n/a		Maximum Run Length 25 Fixtures
Louvre/Optics	Prismatic cover		

* = When the fitting reaches 70% of full potential (new)

COMMERCIAL CODE	I2NC	DESCRIPTION
BN208C40W4K1200	911401568401	BN208C LED40/NW L1200 FR
BN208C40W6K1200	911401585601	BN208C LED40/CW L1200 FR
BN208C20W4K1200	911401565801	BN208C LED20/NW L1200 FR
BN208C20W4K600	911401566101	BN208C LED20/NW L600 FR
BN208C10W4K600	911401566601	BN208C LED10/NW L600 FR
BN209C40W4K1200	911401566901	BN209C LED40/NW L1200 FR
BN209C40W6K1200	911401586001	BN209C LED40/CW L1200 FR
BN209C20W4K1200	911401567401	BN209C LED20/NW L1200 FR
ACCESSORIES		
BY208ZMBA	911401567501	BY208Z MB-A
BY208ZMBS	911401567601	BY208Z MB-S
BY209ZMBA	911401567701	BY209Z MB-A
BY209ZMBS	911401567801	BY209Z MB-S
BY208ZSP	911401567901	BY208Z SP
BY208ZTB	911401568001	BY208Z TB
BY208ZC600P	911401568101	BY208Z C600-P
BY208ZC2	911401568201	BY208Z C-2
BY208ZC200P	911401568301	BY208Z C200-P



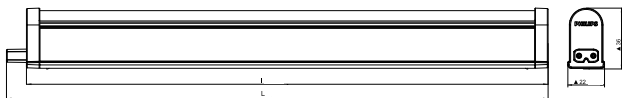
SmartBright LED Batten Gen2

SmartBright LED Batten G2 is an affordable replacement for T5 and T8 battens in indirect lighting solutions, such as pelmet or cove lighting. The product comes in a variety of lengths, and an excellent lifetime of 30,000 hours. The product also comes with a plug in the packaging, so is easy for installation.



Features and Benefits

- Patented glass diffuser: Better heat conduction, no embrittlement, no yellowing
- Longer life time: 30,000 hours
- Higher energy-efficiency : 79lm/w
- Lower TCO vs.TL5 batten triggered to replace conventional batten more easily
- Slim and narrow end cap designed for cove and shelf lighting
- 5 lengths, 3 colours, flexible, mix and match
- Power cable included for easier purchase



Product ID	Length (mm)	Width (mm)	Height (mm)
BN066C (600mm)	585.5	25.5	43
BN066C (1200mm)	1185.5	25.5	43

Dimensions in mm (Nominal)

SMARTBRIGHT LED BATTEN GEN2

Family Name	GreenPerform Batten
Model	BN066C
Lumen/ Watt	1108lm / 14W 967lm / 12W 836lm / 10.8W 555lm / 7W 311lm / 4W
CCT	3000K, 4000K, 6500K
Colour Rendering Index (CRI)	80
Flex and Plug	Power Cable (included)
*Lifetime (L70@25°C)	30,000 Hrs
Unified Glare Ratio (UGR)	n/a
Optics	Diffused Glass

Driver	Integrated
Dimmable	PSU (Fixed)
Installation	Surface Mounted
IP rating	IP20
Colour of housing	White
Application	Shop Window, Cove, Shelf, Convenience Store, Freezer
Accessories	Spare Mounting bracket and screw Connection Cable (0.2m or 0.6m)
Suspension Height - min/max	NA
Maximum Run Length	10 Pieces

* = When the fitting reaches 70% of full potential (new)

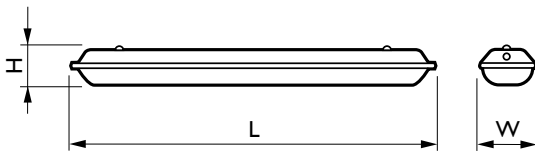
TCW060 Fluorescent Waterproof Batten

Designed for use in demanding environments, TCW060 is an economical, compact waterproof luminaire. Dedicated versions are available for TL-D and TL5 lamps. Ingress-protected to a level of IP65 and operating solely on electronic gear, this is a competitive energy saving solution for wet spaces – at the same cost as an electromagnetic solution. A flexible ceiling clip facilitates easy installation and maintenance.



Features and Benefits

- Economic waterproof luminaire
- Ingress protected to IP65, shockproof to IK08
- Dedicated dimensions for TL-D
- Adjustable ceiling clip for flexible installation



Product ID	L (mm)	W (mm)	H (mm)
TCW060 1xTL-D36W HF	1270	86	90
TCW060 2xTL-D36W HFP	1270	136	90
TCW060 2xTL-D58W HF	1570	136	90

Dimensions in mm (Nominal)

TCW060 FLUORESCENT WATERPROOF BATTEN			
Family name	TCW060	Connection	SI [Screw connection block]
Model	TCW060 1xTL-D36W HF TCW060 2xTL-D36W HFP TCW060 2xTL-D58W HF	Ingress protection code	IP65 [Dust penetration-protected, jet-proof]
Number of light sources	1, 2	Mech. impact protection code	IK08 [5] vandal-protected]
Lamp family code	TL-D [MASTER TL-D]	Colour	Grey
Lamp power	36W, 58W	Glow-wire test	650/5 [Temperature 650°C, duration 5s]
Kombipack	No	Country version	No
Gear	HF [Electronic high-frequency], HFP [HF Performer]	CE mark	CE [CE mark]
Optical cover/lens type	PCP [Polycarbonate prismatic]	Input voltage	220-240V
Emergency lighting	No		

COMMERCIAL CODE	I2NC	DESCRIPTION
TCW060136HFPFU	823807877301	TCW060 1xTLD-36W HFP FTB TE
TCW060236HFPFU	823807877401	TCW060 2xTLD-36W HFP FTB TE
TCW060258HFPFU	823807874401	TCW060 2xTLD-58W HFP FTB TE



GreenPerform Waterproof Batten

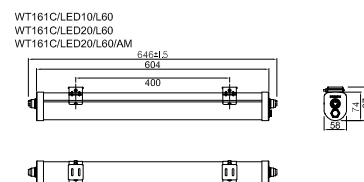
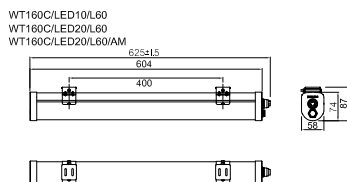
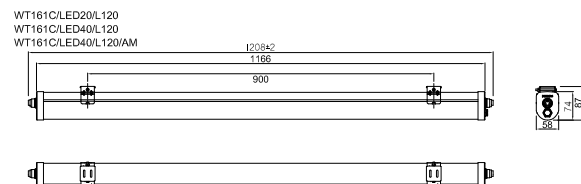
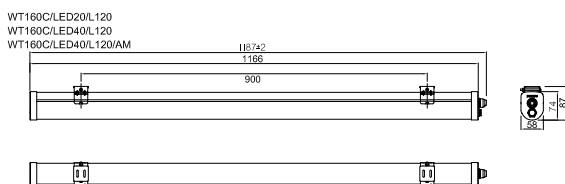
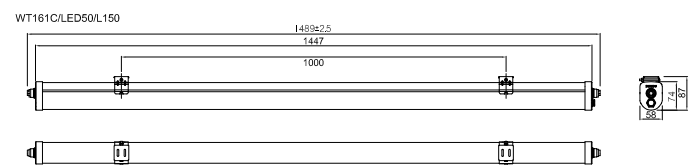
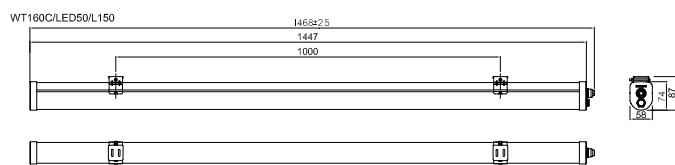
GreenPerform LED Waterproof is a high quality luminaire with a high system efficacy that delivers significant energy savings of up to 50% as compared to conventional T8 batten. With a reliable and robust housing structure, this maximizes the endurance and contributes to its long lifetime.

It is suitable to be used in both direct and indirect lighting applications. This is due to its flexible optics and choice of symmetric or asymmetric mounting accessories that allows for a variety of different lighting applications.



Features and Benefits

- Up to 95lm/W system efficacy, save over 50% energy by replacing T8 waterproof luminaires
- 50,000hr lifetime & IP65 & IK08 protection ensure ultimate reliability and endurance
- Comfortable light with high colour uniformity SDCM<3.5 , CRI>80
- Compact design & IP68 waterproof quick connector ease the installation





GreenPerform Waterproof Batten continued

GREENPERFORM WATERPROOF BATTEN			
Family Name	GreenPerform Waterproof Batten	Driver	Philips Xitanium Driver
Model	WT160C - Standalone version WT161C - Trunkable version	Dimmable	PSU (Fixed)
Lumen/ Watt	4800lm/ 55W 3800lm/ 40W 1900lm/ 20W 1000lm/ 12W	Installation	Surface Mounted
CCT	4000K, 6500K	IP rating	IP65
Colour Rendering Index (CRI)	80	Weight	1500mm - 1.7kg 1200mm - 1.3kg 600mm - 0.7kg
Flex and Plug	No	Colour of housing	Green
Lifetime L70*	50,000hrs	Application	Industry, F&B, Parking, Semi Outdoor, Under Canopy, Underground
Unified Glare Ratio (UGR)	n/a	Accessories	Trunking Connector Cable (300mm)
Optics	Symmetrical wide beam (120°)	Suspension Height - min/max	NA
		Maximum Run Length	25 pcs trunking

* = When the fitting reaches 70% of full potential (new)

COMMERCIAL CODE	I2NC	DESCRIPTION
WT160C10W4K600	911401511811	WT160C LED10 NW L600
WT160C10W6K600	911401511911	WT160C LED10 CW L600
WT161C10W4K600	911401512011	WT161C LED10 NW L600
WT161C10W6K600	911401512111	WT161C LED10 CW L600
WT160C20W4K600	911401512211	WT160C LED20 NW L600
WT160C20W6K600	911401512311	WT160C LED20 CW L600
WT161C20W4K600	911401512411	WT161C LED20 NW L600
WT161C20W6K600	911401512511	WT161C LED20 CW L600
WT160C20W4K1200	911401512611	WT160C LED20 NW L1200
WT161C20W4K1200	911401512711	WT161C LED20 NW L1200
WT160C20W6K1200	911401512811	WT160C LED20 CW L1200
WT161C20W6K1200	911401512911	WT161C LED20 CW L1200
WT160C40W4K1200	911401513011	WT160C LED40 NW L1200
WT160C40W6K1200	911401513111	WT160C LED40 CW L1200
WT161C40W4K1200	911401513211	WT161C LED40 NW L1200
WT161C40W6K1200	911401513311	WT161C LED40 CW L1200
WT160C50W4K1500	911401513411	WT160C LED50 NW L1500
WT160C50W6K1500	911401513511	WT160C LED50 CW L1500
WT161C50W4K1500	911401513611	WT161C LED50 NW L1500
WT161C50W6K1500	911401513711	WT161C LED50 CW L1500
WT161ZTB	911401527511	WT161Z TB



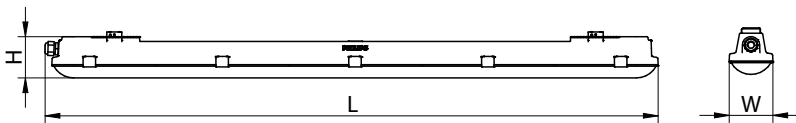
CoreLine Waterproof Batten

CoreLine Waterproof LED is a direct replacement for traditional fluorescent waterproof luminaires, in terms of light performance, installation flexibility and length. With similar look and feel to traditional battens, this diffused luminaire will save up to 50% in energy, and will last 50,000 hours, hence reducing maintenance costs.



Features and Benefits

- Up to 50% lower energy consumption compared to TL-D
- Reliable LED technology – maintenance free
- Direct substitute to conventional waterproofs in light performance, installation flexibility & length
- Substitute available for 2X18W/1X36W/2X36W/1X58W/2X58W TL-D
- Sleek design to create traditional look and feel
- Wide-beam light distribution
- Diffuser with optical element ensures visual comfort
- Ceiling-mounted bracket and suspension hooks included; installation can be made vandal-proof by additional screw fixation of mounting brackets



Model	W (mm)	H (mm)	L (mm)
2ft	87	82	661
4ft	87	82	1223
5ft	87	82	1504

Dimensions in mm (Nominal)



CoreLine Waterproof Batten continued

CORELINE WATERPROOF BATTEN			
Family Name	CoreLine Waterproof Batten	Installation	Surface Mounted, Suspension Hook
Model	WT120C - Standalone version	IP rating	IP65
Lumen/ Watt	6000lm/ 57W 4000lm/ 41W 3400lm/ 29W 2200lm/ 23W 1800lm/ 19W	IK Rating	IK08
CCT	4000K	Weight	1500mm - 1.82kg 1200mm - 1.53kg 600mm - 0.93kg
Colour Rendering Index (CRI)	80	Colour of housing	Light Grey
Flex and Plug	No	Application	Industry, F&B, Parking, Semi Outdoor, Under Canopy, Underground
*Lifetime (L70)	50,000hrs	Accessories (Included)	Mounting bracket (2pcs), suspension hook (2pcs), anti-vandal screws (2pcs), grommet (2pcs), cable gland (2pcs)
Unified Glare Ratio (UGR)	UGR23	Suspension Height - min/max	NA
Optics	Symmetrical wide beam	Maximum Run Length	NA
Driver		* = When the fitting reaches 70% of full potential (new)	
Dimmable	PSU (Fixed)		

COMMERCIAL CODE	I2NC	DESCRIPTION
WT120C19W4K600	910500453335	WT120C LED18S/840 PSU L600
WT120C23W4K1200	910500453336	WT120C LED22S/840 PSU LI200
WT120C29W4K1500	910500453337	WT120C LED34S/840 PSU LI500
WT120C41W4K1200	910500453338	WT120C LED40S/840 PSU LI200
WT120C57W4K1500	910500453339	WT120C LED60S/840 PSU LI500



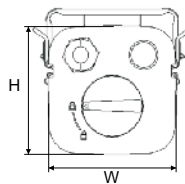
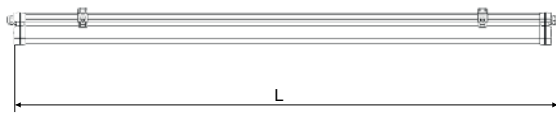
Pacific LED Waterproof Batten

Pacific LED Waterproof batten is a high performance luminaire, replacing traditional fluorescent fittings. With comparable lumen outputs, Pacific LED will save up to 50% energy, and lasts 50,000 hours. Further savings can be achieved through DALI dimming, and comes in a variety of lengths and beam angles. There is also a chemical resistance option, and multiple wiring options.



Features and Benefits

- Point-to-point replacement of high performance TL-D waterproof luminaires up to 2.58W
- Energy savings up to 50%, dimmable (DALI) for even more savings
- Significant lower maintenance cost due to high system lifetime
- Chemical resistance and impact resistance combined in one product optionally
- Multiple Beam angles, lengths, and wiring connections
- Easy installation



Model	W (mm)	H (mm)	L (mm)
2ft	96	96	721
4ft	96	96	1342
5ft	96	96	1642

Dimensions in mm (Nominal)

PACIFIC LED WATERPROOF BATTEN

Family Name	Pacific LED G3	Installation	Surface Mounted
Model	WT460C - Standalone Version WT461C - Chemical Resistance Version	IP rating	IP66
Lumen/ Watt	6400lm/ 54W 4200lm/ 35W 3500lm/ 28W 2300lm/ 22W	IK Rating	IK08
CCT	4000K	Weight	1500mm - 3.9kg 1200mm - 3.4kg 600mm - 1.7kg
Colour Rendering Index (CRI)	80	Colour of housing	Clear with light grey
Flex and Plug	No	Application	Industry, F&B, Parking, Semi Outdoor, Under Canopy, Underground
Lifetime L70*	50,000hrs	Accessories	Flexible ceiling bracket, Suspension Hooks, Ceiling clips, Cable glands, End cap 3 or 5 pole connector, Polycarbonate tube
Unified Glare Ratio (UGR)	22	Suspension Height - min/max	NA
Optics	NB, WB, VWB	Maximum Run Length	NA
Driver	Philips Xitanium Driver		
Dimmable	PSD (DALI), PSU (Fixed)		

* = When the fitting reaches 70% of full potential (new)

Prolux T5 Highbay TPS 550

Ideal for factories, warehouses, distribution centres and light industry. Philips ProLux T5 highbay solution is a direct replacement for current HID highbay systems, helping you gain significant energy savings.

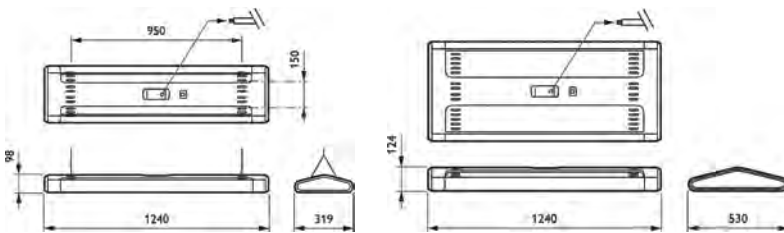
The combination of robust housing, high-reflectance material and specially designed reflectors add up to a high-efficiency luminaire that can help drive profitability by improving energy efficiency. For even more savings, combine with Philips Dynalite lighting controls.



Features and Benefits

- Energy efficiency – delivering up to 45%* energy savings compared to a typical HID Highbay solution, helping you to save more money with lower monthly power bills
- Excellent light quality – better vertical illuminance for rack application, better uniformity, more vivid colour rendering
- Easy maintenance – side ballast access for easy replacement of the ballast without touching the reflector
- Flexible installation – fulfill your unique needs with suspended, surface and pipe-mounted installation options as well as three beam angles (wide, medium and narrow) for various lighting applications
- Accessories – Polycarbonate cover (optional) and Wire Guard mesh cover (optional)

* Compared to a one-to-one replacement with the current HID Highbay Lighting Solution



Product ID	L (mm)	W (mm)	H (mm)
TPS550 2 x 54W	1240	530	98
TPS550 4/6 x 54W	1240	319	124

Dimensions in mm (Nominal)

Prolux T5 Highbay TPS 550 continued

TPS550 HIGHBAY			
Family name	TPS550	Dimmable	I-10v HFR dimmable (optional) DALI Dimming (optional)
Lamp types	2 x 54w 4 x 54w – replacement for 250W HPI 6 x 54w – replacement for 400W HPI	Installation	Suspension, Surface Mounted, Pipe Mounted Height: 6-12m
Lamps included	No	Classification/IP rating	IP20
Flex and Plug	Yes	Colour/Materials	Housing: Steel Optic: High reflectance aluminium (95% reflectance)
Beam angle	Narrow beam Medium beam Wide beam	Accessories	Transparent Protection cover – Steel Wire guard mesh cover – Steel Mounting plate (for pipe installation) – Steel Extension data cable for HFR version
Office compliant/UGR	No		
Louvre/Optics	High efficiency optic		
Gear/Ballast	HFP – High Frequency Performer (standard) HFR – I-10v dimmable (optional) HFR-D DALI (optional)		

COMMERCIAL CODE	I2NC	DESCRIPTION
TPS5506X54HFPNB	910403630507	TPS550 6xTL5-54W HFP NB W3
TPS5506X54HFPMB	910403630508	TPS550 6xTL5-54W HFP MB W3
TPS5506X54HFPWB	910403630509	TPS550 6xTL5-54W HFP WB W3
TPS5504X54HFPNB	910403630510	TPS550 4xTL5-54W HFP NB W3
TPS5504X54HFPMB	910403630511	TPS550 4xTL5-54W HFP MB W3
TPS5504X54HFPWB	910403630512	TPS550 4xTL5-54W HFP WB W3
TPS5502X54HFPNB	910403630513	TPS550 2xTL5-54W HFP NB W3
TPS5502X54HFPMB	910403630514	TPS550 2xTL5-54W HFP MB W3
TPS5502X54HFPWB	910403630515	TPS550 2xTL5-54W HFP WB W3
TPS5506X54HFRNB	910403630531	TPS550 6xTL5-54W HFR NB W3
TPS5506X54HFRMB	910403630532	TPS550 6xTL5-54W HFR MB W3
TPS5506X54HFRWB	910403630533	TPS550 6xTL5-54W HFR WB W3
TPS5504X54HFRNB	910403630535	TPS550 4xTL5-54W HFR NB W3
TPS5504X54HFRMB	910403630536	TPS550 4xTL5-54W HFR MB W3
TPS5504X54HFRWB	910403630537	TPS550 4xTL5-54W HFR WB W3
TPS5502X54HFRNB	910403630538	TPS550 2xTL5-54W HFR NB W3
TPS5502X54HFRMB	910403630540	TPS550 2xTL5-54W HFR MB W3
TPS5502X54HFRWB	910403630541	TPS550 2xTL5-54W HFR WB W3



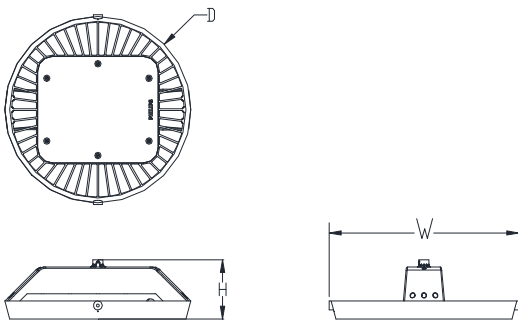
GreenPerform Highbay Gen2

Ideal for factories, warehouses, distribution centres, and light industrial. Philips GreenPerform LED highbay Gen2 is designed to replace 250W and 400W HID highbays, offering up to 60% energy savings, whilst delivering long lifetime, in often hard to reach maintenance areas. Gen2 version sees a reduction in glare by up to 20%, as well as a wide variety of light outputs, from 9,000 lm, all the way up 24,000 lm.



Features and Benefits

- Best energy-efficiency : System efficacy>100lm/W, 1:1 replacement of 400/250W HPI
- Comfortable light: CRI increase to 85 for all colour temperature
- Optimal lighting effects: new light platform & optical design reduce 20% glare
- Versatile applications: multiple mounting options (hook/pipe/ bracket)
- Advanced control interface: 1~10V / DALI dimming option integrated for solution selling (selected models only)
- Robust & Reliable: IP65 protection and 50K hours system life time
- Wider Industry Application: Available in both Tempered Glass Cover and PC Cover
- Easy to Install: Equipped with 3m long power cord & IP65 connector
- Reduced Weight: Max 9.5 kg



Model	W (mm)	D (mm)	H (mm)
BY687P	530	ø520	165
BY688P	466	ø457	158
BY689P	374	ø366	153

Dimensions in mm (Nominal)

GREENPERFORM HIGHBAY GEN2

Family name	GreenPerform Highbay Gen2
Lumen/Watt	BY687P - 240W, 200W (Big size) BY688P - 160W, 140W (Medium size) BY689P - 100W, 90W (Small size)
Lamp Colour	24,000lm/ 240W 20,000lm/ 200W 16,000lm/ 160W 14,000lm/ 140W 10,000lm/ 100W 9,000lm/ 90W
CCT	4000K, 6500K
Colour Rendering Index (CRI)	85
Wiring	IP65 Connector
*Lifetime (L70)	50,000hrs
Unified Glare Ratio (UGR)	25
Optics	WB, NB, HRO

Driver	Philips Xitanium LED Driver
Dimmable	PSU (Fixed), PSR (1-10V selected), PSD (Dali selected)
Installation	Hook/ Pole/ Bracket
IP rating	IP65
IK Rating	IK07
Weight	BY687P - 9.5kg BY688P - 7kg BY689P - 5kg
Colour of housing	Silvery grey, high quality die-cast aluminium
Application	Industry, Commercial & Convention
Accessories	Mounting Bracket
Suspension Height - min/max	NA
Maximum Run Length	NA

* = When the fitting reaches 70% of full potential (new)



GreenPerform Highbay Gen2 continued

COMMERCIAL CODE	I2NC	DESCRIPTION
BIG SIZE		
BY687P240WL6KRW	911401568511	BY687P LED240/CW PSR S-WB L3000
BY687P240WL6KRN	911401568811	BY687P LED240/CW PSR S-NB L3000
BY687P240WL6KRH	911401569011	BY687P LED240/CW PSR S-HRO L3000
BY687P240WL4KRW	911401568911	BY687P LED240/NW PSR S-WB L3000
BY687P240WL4KRN	911401569111	BY687P LED240/NW PSR S-NB L3000
BY687P240WL4KRH	911401568711	BY687P LED240/NW PSR S-HRO L3000
BY687P200WL6KRW	911401568611	BY687P LED200/CW PSR S-WB L3000
BY687P200WL6KRN	911401569311	BY687P LED200/CW PSR S-NB L3000
BY687P200WL6KRH	911401569611	BY687P LED200/CW PSR S-HRO L3000
BY687P200WL4KRW	911401569511	BY687P LED200/NW PSR S-WB L3000
BY687P200WL4KRN	911401569411	BY687P LED200/NW PSR S-NB L3000
BY687P200WL4KRH	911401569211	BY687P LED200/NW PSR S-HRO L3000
BY617ZMB	911401568411	BY617Z MB
MEDIUM SIZE		
BY688PI60WL6KFW	911401567111	BY688P LED160 L3000/CW PSU S-WB
BY688PI60WL6KFN	911401567211	BY688P LED160 L3000/CW PSU S-NB
BY688PI60WL6KFH	911401567311	BY688P LED160 L3000/CW PSU S-HRO
BY688PI60WL4KFW	911401567411	BY688P LED160 L3000/NW PSU S-WB
BY688PI60WL4KFN	911401567511	BY688P LED160 L3000/NW PSU S-NB
BY688PI60WL4KFH	911401567611	BY688P LED160 L3000/NW PSU S-HRO
BY688PI40W6KRW	911401535411	BY688P LED 140/CW PSR S-WB
BY688PI40W6KRN	911401535711	BY688P LED 140/CW PSR S-NB
BY688PI40W4KRW	911401536111	BY688P LED 140/NW PSR S-WB
BY688PI40W4KRN	911401535811	BY688P LED 140/NW PSR S-NB
BY618ZMB	911401578801	BY618Z MB
SMALL SIZE		
BY689PI00WL6KFW	911401568311	BY689P LED100 L3000/CW PSU S-WB
BY689PI00WL6KFN	911401568111	BY689P LED100 L3000/CW PSU S-NB
BY689PI00WL6KFH	911401567911	BY689P LED100 L3000/CW PSU S-HRO
BY689PI00WL4KFW	911401568011	BY689P LED100 L3000/NW PSU S-WB
BY689PI00WL4KFN	911401567811	BY689P LED100 L3000/NW PSU S-NB
BY689PI00WL4KFH	911401567711	BY689P LED100 L3000/NW PSU S-HRO
BY689P90W6KFW	911401536811	BY689P LED90/CW PSU S-WB
BY689P90W6KFN	911401536911	BY689P LED90/CW PSU S-NB
BY689P90W4KFW	911401536311	BY689P LED90/NW PSU S-WB
BY689P90W4KFN	911401535911	BY689P LED90/NW PSU S-NB
BY619ZMB	911401578701	BY619Z MB



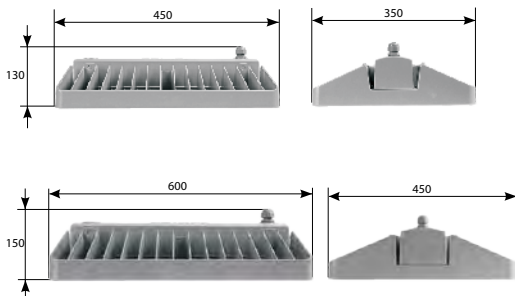
GentleSpace Gen2

GentleSpace Gen2 represents the best in class LED highbay offering, perfect for replacing HID technology in factories, warehouses, distribution centres and light industrial. This state of the art LED luminaire delivers optimum performance in light output, lifetime, and functionality, with DALI dimming capability. GentleSpace Gen2 delivers up to 60% energy savings, whilst maximising architectural appeal and performance.



Features and Benefits

- Up to 25k lumens - Fully equivalent to HPI250/400W high end conventional luminaires
- DALI dimmable with MDU option - Save even more energy costs
- CRI80: High quality of light
- 3.5 x more lifetime than conventional highbay
- Multiple beam angles - More applications can be fulfilled
- -30C - +45C - Wide operating temperature range
- 106-109 lm/W - Improved efficiency



Model	Width (mm)	Length (mm)	Height (mm)
BY470P	350	450	130
BY471P	450	600	150

Dimensions in mm (Nominal)

GENTLESPACE GEN2

Family Name	GentleSpace Gen2
Model	BY471P - 234W, 160W (Big Size) BY470P - 119W (Small Size)
Lumen/ Watt	25,000lm/ 234W 17,000lm/ 160W 13,000lm/ 119W
CCT	4000K
Colour Rendering Index (CRI)	85
Wiring	3m flex and external connector IP65
*Lifetime (L70)	70,000 hrs
Unified Glare Ratio (UGR)	22-25
Optics	WB, MB, NB, HRO
Driver	Philips Xitanium LED Driver

Dimmable	PSR (1-10V), PSD (Dali)
Installation	Suspension Wire/Bracket
IP rating	IP65
IK Rating	IK07
Weight	BY471P - 16.9kg BY470P - 9.8kg
Colour of housing	Silvery grey, high quality die-cast aluminium
Application	Industry, Commercial & Convention
Accessories	Mounting Bracket
Suspension Height - min/max	NA
Maximum Run Length	NA

* = When the fitting reaches 70% of full potential (new)





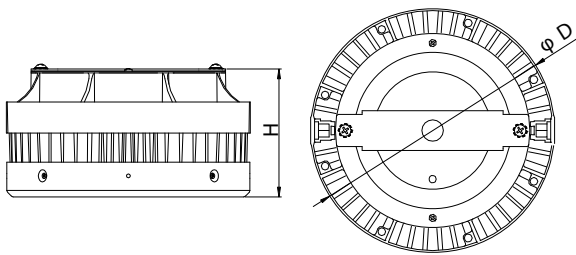
SmartBay Lowbay

Philips' new generation of LED Lowbay, SmartBay, delivers substantial energy saving in a simple way, by adopting a brand-new LED platform and optical technology. It has an optimal colour CRI and UGR to improve the comfort of lighting, satisfying the requirements of various applications such as factories, shopping malls and public areas. SmartBay is the ideal replacement solution for HPI, CDM and MH lamps.



Features and Benefits

- Energy-efficiency: system efficacy > 95lm/W, 1:1 replacement of CDM or HPI, saving up to 69% energy
- Comfortable light: CRI >85, UGR <19 (with reflector), offering a comfortable lighting experience
- Super long life: 50,000 hours system lifetime
- Versatile applications : more than 5 mounting options and accessories, flexible for versatile indoor installations



Model	Diameter (mm)	Height (mm)
BY268P	250	150
BY269P	132	102

Dimensions in mm (Nominal)

SMARTBAY LOWBAY

Family Name	SmartBay Lowbay
Model	BY268P - Big Size BY269P - Small Size
Lumen/ Watt	8,200lm/ 85W 5,800lm/ 60W 3,800lm/ 40W
CCT	3000K, 4000K, 6500K
Colour Rendering Index (CRI)	85
*Lifetime (L70)	50,000 hrs
Unified Glare Ratio (UGR)	22-25
Optics	WB, NB (Needs reflector)
Driver	Philips Xitanium LED Driver

Dimmable	PSU (Fixed)
Installation	Hook/ Pole/ Bracket
IP rating	IP40
Weight	BY268P - 4.5kg BY269P - 2.5kg
Colour of housing	Silvery grey (Pantone 429U)
Application	Industry, Supermarket, Public Area, Shopping Mall
Accessories	Mounting Bracket, Reflector, Hook, Chain Kit, Pipe Kit
Suspension Height - min/max	NA
Maximum Run Length	NA

* = When the fitting reaches 70% of full potential (new)



Mini 300 Gen2

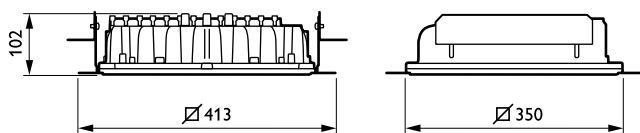
Designed for petrol-station canopies and low-bay applications, Mini 300 Gen2 is an ultra-efficient retrofit fixture that offers outstanding light quality, effective thermal management, and a very long lifespan.

Reduced maintenance, replacement and energy cost means a short payback period, making Mini 300 LED Gen2 a shining example of how businesses can save money by opting for green products. A movement detector combined with a daylight sensor enables further energy savings. Our Mini 300 LED gen2 app gives users control in ways that are simply not possible with other luminaires – for instance, reading status and managing lighting from the floor by laptop or Smartphone via Bluetooth.



Features and Benefits

- Wireless management via Bluetooth from Smartphone or laptop
- Scheduler build in the luminaire to customize your settings
- Status and settings can be read from the floor (no more lift is needed to change settings of luminaire.)
- Instant LED light, long lifetime for lower maintenance cost
- Retrofit solution of 250W & 400W HPI (MPF) or 250W & 315W CDM (Mini300) or competitors
- Movement detector unit and daylight sensor combined for even more energy savings
- Very low weight makes it easy to install (only one person needed)
- Plug & Play
- Master & Slave to reduce number of luminaires with sensor (lower investment cost)
- Energy savings up to 85% compared to HPI systems



Model	Width (mm)	Length (mm)	Height (mm)
BBP400	350	350	102
BCS400	378	373	152

Dimensions in mm (Nominal)



Mini 300 Gen2 continued

MINI 300 GEN2

Family Name	Mini 300 GII
Model	BBP400 - Recessed BCS400 - Surface Mounted
Lumen/ Watt	12,640lm/ 140W 11,147lm/ 121W 9,629lm/ 106W 8,095lm/ 94W 6,533lm/ 76W
CCT	5700K
Colour Rendering Index (CRI)	68
Wiring	
*Lifetime (L80)	70,000 hrs
Unified Glare Ratio (UGR)	22-25
Optics	PRM, PRW, PAM, A
Driver	Philips Xitanium LED Driver

Dimmable	PSD (Dali)
Installation	Recessed/ Surface Mounted
IP rating	IP65
Weight	BBP400 - 9.1kg BCS400 - 8.6kg
Colour of housing	Silvery grey - High quality die-casting aluminium
Application	Petrol Stations, Industry, Warehouse, Public Areas
Accessories	Ceiling Mounting Frame
SMARTS Options	Motion Detection Unit, Daylight Sensor, Scheduler Mode, Bluetooth, Master vs Slave units
Suspension Height - min/max	NA
Maximum Run Length	NA
Maximum Run Length	NA

* = When the fitting reaches 70% of full potential (new)

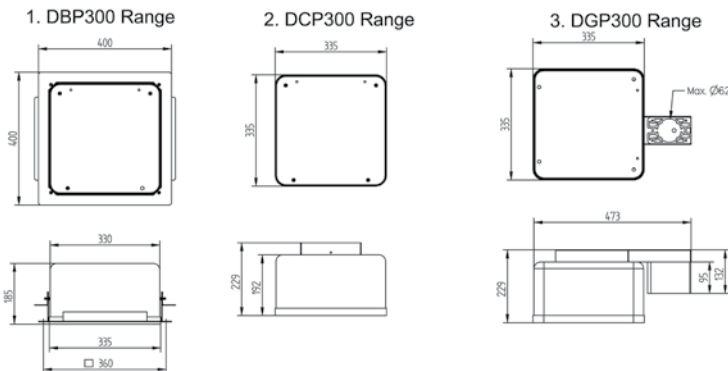
Mini 300 HID

Mini 300 Cube is an extremely efficient low-glare luminaire specially designed for downlighting. The efficiency is achieved by a patented optic coating (which reflects 97% of the light). Mini 300 Cube delivers a uniform light distribution with an asymmetric or bi-directional beam creating outstanding illuminances in industrial and retail environments. The range comprises versions for recessed (DBP300), surface mounted (DCP300) and pole mounted (DGP300). Mini 300 is also available in LED versions (Mini 300 LED Gen 2) in high efficiency for substantial energy savings.



Features and Benefits

- Creates a daylight impression with an extremely efficient low-glare luminaire specially designed for downlighting in canopies
- Daylight impression from an extremely efficient low-glare recessed luminaire specially designed for downlighting under canopies
- Uniform light distribution with an asymmetrical or bi-directional beam creating outstanding illuminance in industrial and retail environments
- Inviting atmosphere thanks to CDM-TD lamp with excellent colour rendering and white-coated reflector
- High efficiency thanks to a patented optic coating



Model	Width (mm)	Length (mm)	Height (mm)
DBP300	400	400	185
DCP300	335	335	229
DGP300	335	473	229

Dimensions in mm (Nominal)

MINI 300 HID			
Family Name	Mini 300 HID	Driver	Integrated driver
Model	DCP300, DGP300, DBP300	Installation	Recessed
Lamp Type	CDM-TD, CDM-T	IP rating	IP65
Wattage	70W, 150W, 250W	Weight	7.5kg
Lamp Colour	3000K, 4000K	Colour of housing	White
Colour Rendering Index (CRI)	80, 90 (with CDM-TD lamp)	Application	Industrial, Petrol Stations, Under Canopy
Flex and Plug	No		
Optics	Asymmetrical, narrow beam (A-NB) Asymmetrical, medium beam (A-MB) Asymmetrical, wide beam (A-WB), not for CDM-T 250 W lamp version Symmetrical, wide beam (S-WB) Symmetrical, wide beam, bi-directional (S-WB-BD)		

Mini 300 HID continued

COMMERCIAL CODE	I2NC	DESCRIPTION
DCP300MH70SWB	911401077980	DCP300 CDM-TD70W IC S-WB FG WH 230-240
DCP300MHI50AWB	911401077580	DCP300 CDM-TDI50W IC A-WB FG WH 230-240
DCP300MHI50SWB	911401078080	DCP300 CDM-TDI50W IC S-WB FG WH 230-240
DCP300MHI50SWBBD	911401077680	DCP300CDM-TDI50W IC S-WB-BD FG WH 230-240
DCP300MH250SWB	911401078180	DCP300 CDM-T250W IC S-WB FG WH 230-240
DCP300MH250SWBBD	911401077780	DCP300 CDM-T250W IC S-WB-BD FG WH230-240
DGP300MH70AWB	911401080680	DGP300 CDM-TD70W IC A-WB FG WH 230-240
DGP300MH70AMB	911401080880	DGP300 CDM-TD70W IC A-MB FG WH 230-240
DCP300MH70SWBBD	911401080380	DCP300 CDM-TD70W IC S-WB-BD FG WH 230-240
DCP300MH70AWB	911401081480	DCP300 CDM-TD70W IC A-WB FG WH 230-240
DGP300MH70ANB	911401081180	DGP300 CDM-TD70W IC A-NB FG WH 230-240
DGP300MHI50AWB	911401080780	DGP300 CDM-TDI50W IC A-WB FG WH 230-240
DGP300MHI50AMB	911401080980	DGP300 CDM-TDI50W IC A-MB FG WH 230-240
DGP300MHI50ANB	911401081280	DGP300 CDM-TDI50W IC A-NB FG WH 230-240
DGP300MH250AMB	911401081080	DGP300 CDM-T250W IC A-MB FG WH 230-240
DGP300MH250ANB	911401081380	DGP300 CDM-T250W IC A-NB FG WH 230-240
DBP300MH70SWBBD	911401078780	DBP300 CDM-TD70 WIC S-WB-BD FG WH 230-240
DBP300MH70SWB	911401081580	DBP300 CDM-TD70W IC S-WB FG WH 230-240
DBP300MH70AWB	911401079880	DBP300 CDM-TD70W IC A-WB FG WH 230-240
DBP300MHI50SWB	911401078980	DBP300 CDM-TDI50W IC S-WB FG WH 230-240
DBP300MHI50SWBBD	911401079080	DBP300CDM-TDI50W IC S-WB-BD FG WH230-240
DBP300MHI50AWB	911401079980	DBP300 CDM-TDI50W IC A-WB FG WH 230-240
DBP300MH250SWBBD	911401078580	DBP300 CDM-T250W IC S-WB-BD FG WH230-240
DBP300MH250SWB	911401078680	DBP300 CDM-T250W IC S-WB FG WH 230-240

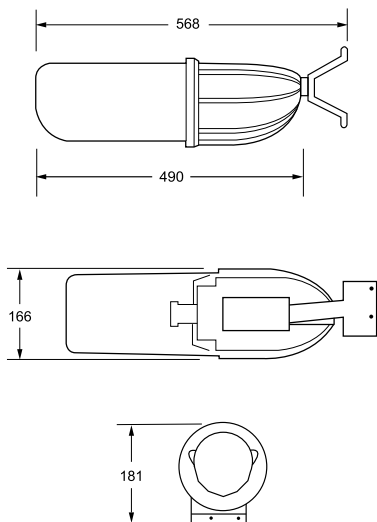
Metro

The Metro luminaire brings a fresh new light to your residential areas, and industrial estates. Metro's compact yet attractive housing easily blends in with your surroundings while making a significant contribution to a safer and more comfortable environment. It comes available with a choice of SON, HPL, CDM and PL-T lamps for a high light output as well as fully integrated gear and mounting brackets for swift and simple installation and maintenance.



Features and Benefits

- Compact luminaire body, designed to accept a variety of lamps: SON, HPLN, CDM-ET and PL-T
- Quick and easy lamp replacement by removal of twist-lock bowl
- Maintenance of the control gear and lamp holder is via a single slideout gear/ lamp holder assembly
- Mounting bracket for easy and flexible installation
- Anti-vibration spring supplied for HID lamp versions



Model	Length (mm)	Width (mm)	Height (mm)
HGC007	568	166	181

Dimensions in mm (Nominal)

Metro continued

METRO			
Family Name	Metro	Installation	Mounting Bracket (supplied)
Model	HGC007	IP rating	IP65
Lamp Types	SON, HPL, CDM, PL-T	Weight	3.5kg
Wattages	SON (70W) HPL (50W, 80W), CDM (70W), PL-T (18W, 32W)	Colour of housing	N/A
Lamp Colour	SON (2000K), HPL (4200K), CDM (4000K), PL-T (4100K)	Application	Residential streets, Area lighting, Footpaths, Conveyor lighting, General Mining lighting
Colour Rendering Index (CRI)	SON (25), HPL (45), CDM (>80), PL-T (>80)	Accessories	NA
Flex and Plug	No		
Optics	N/A		
Control Gear	Conventional, Electronic (PL-T 4P)		

COMMERCIAL CODE	I2NC	DESCRIPTION
HGC007SHPLN50	910401646280	METRO 50W HPLN LANTERN HPF C/W LAMP & BRACKET
HGC007SHPLN80	910401646380	METRO 80W HPLN LANTERN HPF C/W LAMP & BRACKET
HGC007SSON70H	910401646180	METRO 70W SON LANTERN HPF C/W LAMP & BRACKET
HGC007SPLT32	910401646680	METRO PLT 32W C/W LAMP & BRACKET
HGC007SESNOGEAR	910401647280	METRO ES LAMPHOLDER NO GEAR
HGC007SPLC18HK	910401646480	METRO PLC 18W C/W LAMP & BRACKET
HGC007MP70H	910401646780	METRO MINE C/W SON70W/I SPRNG FTB PC BOWL
HGC007MP80H	910401646880	METRO MINE C/W 80WMV SPRING PC BOWL
HGC007MP80HNL	823807881001	METRO MINE C/W 80WMV SPRING PC BOWL - NO LAMP
HGC007MCDM70	823807839801	METRO MINE C/W CDM70W SPRING FTB - NO LAMP
HGC007MSONI70	910401646980	METRO MINE C/W SON-I-70W - NO LAMP



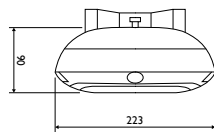
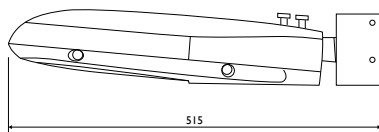
Metro LED

The Metro LED luminaire builds on the continued success of the conventional Metro fitting by offering an energy efficient light source for conveyor lighting, general mining lighting, residential streets, areas requiring security, footpaths, access ways and industrial lighting estates. Designed with die-cast aluminium housing and polycarbonate cover, it provides vibration, dust and heat resistant capabilities to meet harsh application environments. It uses the Philips LEDGINE LED platform to ensure long lifetime and reliability and offers significant energy savings when compared with conventional lamp systems.



Features and Benefits

- Up to 70% energy savings compared to conventional HID Metro with 70W High Pressure Sodium lamp
- Ergonomic curve-shaped housing
- Vibration, dust and heat resistant
- High quality cool and neutral white light with high colour consistency



Model	Length (mm)	Width (mm)	Height (mm)
BGS007	515	223	90

Dimensions in mm (Nominal)

METRO LED			
Family Name	Metro LED	Driver	Integrated driver
Model	BGS007	Surge protection	10kV
Lumen/ Watt	2000 lm / 20W	Installation	Standard Metro mounting bracket (supplied)
Lamp Colour	4000K	Weight	3.5kg
Colour Rendering Index (CRI)	70 ± 5	Colour of housing	Grey
Flex cable	Yes - 3m	Application	General Mining areas / Conveyor Belts / Minor Roads
*Lifetime (L70)	50,000 hrs	Accessories	NA
Classifications	IP65, IK06, Class I	* = When the fitting reaches 70% of full potential (new)	
Optics	Symmetrical Beam		

COMMERCIAL CODE	I2NC	DESCRIPTION
BGS007204KS	911401641502	BGS007 LED20/NW 20W 220-240V SNE-V



RoadStar

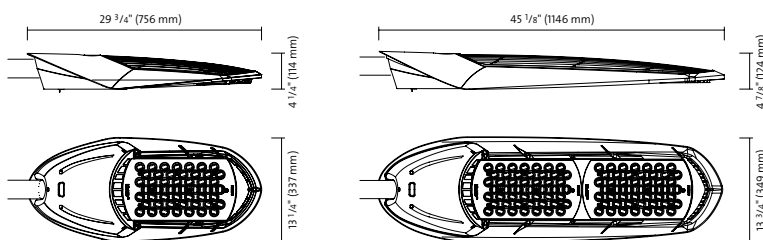
RoadStar was created to help those responsible for lighting our world succeed in their energy conservation goals. Through affordable optimal photometric performance the RoadStar gives all project owners the opportunity to meet their energy conservation goals without sacrificing performance, beauty or safety.



Built to last this versatile lighting solution was designed with an over 70,000 hour lifespan, to minimise maintenance requirements and maximise performance. Not having to deploy maintenance personnel to replace lamps and electrical components can save any user considerable time and money. The durable IP66 sealed construction, excellent thermal management and resistance to the elements, makes the RoadStar an extremely tough, lumen generating power house that simply cannot be outperformed.

Features and Benefits

- Lifetime of over 70,000 hours
- Low maintenance cost: IP66 sealed lens ensures low maintenance with no need for internal cleaning, resulting in a lower total cost of ownership
- Make a statement with this beautifully designed housing to suit any city centre and provide a designer feel.
- Multiple lumen packages and optics to suit most roadway applications.



Product ID	L (mm)	W (mm)	H (mm)
GPLS	756	337	114
GPLM	1146	349	124

Dimensions in mm (Nominal)

ROADSTAR

Family Name	RoadStar	Optics	LE2, LE3, LE4, LE5
Model	GPLS, GPLM	Driver	Integrated driver
Lumens	Up to 14,695 lumens	Installation	Pole mounted
Wattage	45W to 204W	Weight	GPLS (9.1kg), GPLM (14.1kg)
Lamp Colour	4000K	Colour of housing	Grey
Colour Rendering Index (CRI)	80	Application	Minor and major roads
Flex and Plug	No	Accessories	NA
*Lifetime (L70@25°C)	70,000 hrs		

* = When the fitting reaches 70% of full potential (new)



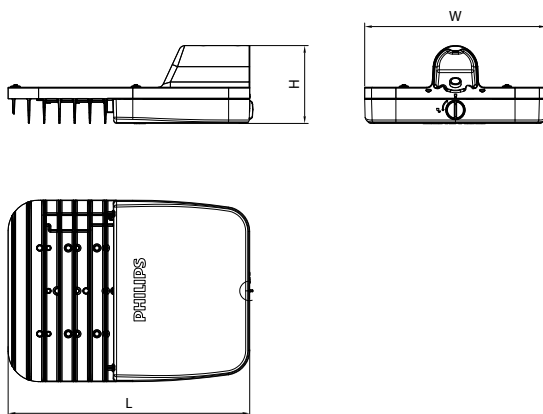
GreenVision Xceed

GreenVision Xceed offers an affordable LED road lighting solution for both residential and major road applications. It offers 3 housing sizes and a range of beam optics to fully cater to different road configurations and conditions. It is designed to achieve better light uniformity and maximum spacing between poles, while ensuring sufficient light on the road. Its die-cast aluminium housing and Philips LEDGINE LED platform ensures long lifetime and reliability. Best of all, GreenVision Xceed offers up to 50% of energy savings when compared to conventional lamp systems.



Features and Benefits

- Up to 50% energy savings with full compliance to road lighting safety standards
- Superior W/m² performance delivered through different optics for greater flexibility to fit different road applications
- High quality cool and neutral white light with high colour consistency
- Tool-less opening of gear compartment & gear tray replacement for ease of maintenance
- World class, approbated quality components (LEDs / Driver / etc.)



Model	L (mm)	W (mm)	H (mm)
BRP371	422	318	136
BRP372	522	318	136
BRP373	853	318	136

Dimensions in mm (Nominal)

GREENVISION XCEED

Family Name	GreenVision Xceed	Optics	DNE, DME, DWE, DWV, DWP, DW
Model	BRP371/372/373	Driver	Integrated driver
Lumens	Up to 31,100 lumens	Surge Protection	10kV
Wattage	20W to 305W	Installation	Pole mounted
Lamp Colour	3000K, 4000K, 5700K	Weight	BRP371:6.5kg; BRP372:8kg; BRP373:14kg
Colour Rendering Index (CRI)	70 ± 5	Colour of housing	Grey
Flex and Plug	No	Application	Major & Residential roads
*Lifetime (L70@35°C)	50,000 hrs	Accessories	N/A
Classifications	IP66, IK08, Class I		

* = When the fitting reaches 70% of full potential (new)



GreenVision Xceed continued

COMMERCIAL CODE	DESCRIPTION
BRP371204KDWE	BRP371 LED20/NW 20W 220-240V
BRP371284KDWE	BRP371 LED30/NW 28W 220-240V
BRP371554KDWE	BRP371 LED53/NW 55W 220-240V
BRP371704KDWE	BRP371 LED70/NW 70W 220-240V
BRP371904KDWE	BRP371 LED87/NW 90W 220-240V
BRP3711054KDWE	BRP371 LED104/NW 105W 220-240V
BRP3721204KDWE	BRP372 LED122/NW 120W 220-240V
BRP3721404KDWE	BRP372 LED139/NW 140W 220-240V
BRP3721504KDWE	BRP372 LED157/NW 155W 220-240V
BRP3731754KDWE	BRP373 LED174/NW 175W 220-240V
BRP3731954KDWE	BRP373 LED192/NW 195W 220-240V
BRP3732104KDWE	BRP373 LED209/NW 210W 220-240V
BRP3732254KDWE	BRP373 LED226/NW 225W 220-240V
BRP3732404KDWE	BRP373 LED243/NW 240W 220-240V
BRP3732604KDWE	BRP373 LED260/NW 260W 220-240V
BRP3732754KDWE	BRP373 LED277/NW 275W 220-240V
BRP3732904KDWE	BRP373 LED294/NW 290W 220-240V
BRP3733054KDWE	BRP373 LED311/NW 305W 220-240V



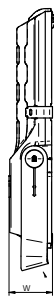
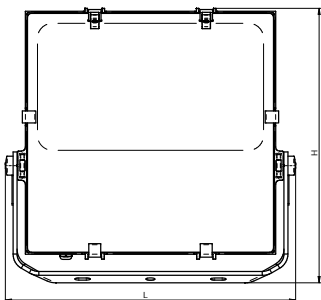
Tango LED

Tango LED is a general purpose LED floodlighting luminaire for various lighting applications, such as area lighting, billboard, façade, industry area, and other general applications. The Tango LED floodlight incorporates an LED light source, optical system, heat sink and driver into one compact housing. Its specially designed heat sink incorporates aesthetics and functionality whilst ensuring reliability and long lifetime. Tango LED takes advantage of all of these features and provides energy savings and a longer lifetime, bringing area lighting into a new era.



Features and Benefits

- Energy saving: system efficacy reaches 90lm/w, which gives more than 40% of energy saving when compared to conventional floodlight
- Free from lamp replacement: Lifetime reaches 50,000 hours at L70, which requires no lamp replacement after installation
- Low maintenance cost: IP65 housing ensures low maintenance with no need for internal cleaning, resulting in a lower total cost of ownership
- Good reliability: Painted non-corrosive die-cast aluminium housing and steel bracket gives extra strength when the luminaire is installed in a rough environment
- Easy installation and maintenance: Universal “U” shape mounting bracket.



Model	L (mm)	W (mm)	H (mm)
BVP361	433	74	572
BVP363	587	74	572

Dimensions in mm (Nominal)



Tango LED continued

TANGO LED			
Family Name	Tango LED	Optics	WB, MB, NB (BVP363 only)
Model	BVP361, BVP363	Driver	Integrated driver
Lumens	BVP361 (5,300/10,400/15,500 lumen), BVP363 (17,500/21,000/24,500/28,000 lumens)	Surge Protection	10kV
Wattage	BVP361 (55W, 105W, 155W), BVP363 (175W, 210W, 245W, 280W)	Installation	Universal Bracket
Lamp Colour	3000K, 4000K, 5700K	Weight	BVP361 (10.5kg), BVP363 (16kg)
Colour Rendering Index (CRI)	75	Colour of housing	Grey Aluminium
Flex and Plug	No	Application	Area lighting, billboard, façade, industry area, and other general applications.
*Lifetime (L70)	50,000 hrs	Accessories	N/A
Classifications	IP65, IK07, Class I		

* = When the fitting reaches 70% of full potential (new)

COMMERCIAL CODE	I2NC	DESCRIPTION
BVP361554KAWB	911401655402	BVP361 LED53/NW 55W 220-240V AWB V
BVP361554KSWB	911401655502	BVP361 LED53/NW 55W 220-240V SWB V
BVP3611054KAWB	911401655602	BVP361 LED104/NW 105W 220-240V AWB V
BVP3611054KSWB	911401655702	BVP361 LED104/NW 105W 220-240V SWB V
BVP3611554KAWB	911401655802	BVP361 LED155/NW 155W 220-240V AWB V
BVP3611554KSWB	911401655902	BVP361 LED155/NW 155W 220-240V SWB V
BVP3632804KAWB	911401652402	BVP363 LED280/NW 280W 220-240V AWB V
BVP3632804KSWB	911401652502	BVP363 LED280/NW 280W 220-240V SWB V
BVP3632804KNB	911401652602	BVP363 LED280/NW 280W 220-240V NB V
BVP3632454KAWB	911401652702	BVP363 LED245/NW 245W 220-240V AWB V
BVP3632454KSWB	911401652802	BVP363 LED245/NW 245W 220-240V SWB V
BVP3632454KNB	911401652902	BVP363 LED245/NW 245W 220-240V NB V
BVP3632104KAWB	911401653002	BVP363 LED210/NW 210W 220-240V AWB V
BVP3632104KSWB	911401653102	BVP363 LED210/NW 210W 220-240V SWB V
BVP3632104KNB	911401653202	BVP363 LED210/NW 210W 220-240V NB V
BVP3631754KAWB	911401653302	BVP363 LED175/NW 175W 220-240V AWB V
BVP3631754KSWB	911401653402	BVP363 LED175/NW 175W 220-240V SWB V
BVP3631754KNB	911401653502	BVP363 LED175/NW 175W 220-240V NB V



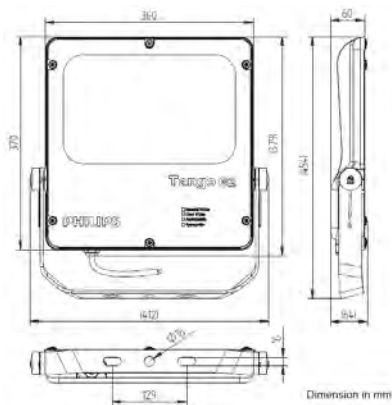
Tango G2 LED

Tango G2 LED is a general purpose mid-power LED floodlighting luminaire suitable for various lighting applications, including area lighting, billboard, façade, and other general applications. Similar to the Tango LED floodlight, the Tango G2 LED floodlight incorporates a mid-power LED light source, optical system, heat sink and driver into even smaller and lighter compact housing. Its specially designed heat sink incorporates aesthetics and functionality whilst ensuring reliability and long lifetime. Tango LED takes advantage of all of these features and provides an affordable energy efficient floodlighting solution.



Features and Benefits

- Energy saving: system efficacy reaches 100lm/w which gives an energy saving of more than 40% when compared to conventional floodlighting.
- No need for lamp replacement: thanks to a lifetime that reaches 50,000 hours at L70.
- Low maintenance: IP65 housing ensures low maintenance with no need for internal cleaning, resulting in a lower total cost of ownership.
- Flexibility on lighting application: the symmetrical wide beam covers most lighting applications.
- Long-lasting: painted, non-corrosive die-cast aluminium housing and steel bracket gives extra strength when the luminaire is installed in harsh environments.
- Easy installation and maintenance: with a universal “U” shape mounting bracket and 300mm long tail, the Tango G2 is easy to install.



Product ID	L (mm)	W (mm)	H (mm)
BVP281	412	64	454

Dimensions in mm (Nominal)



Tango G2 LED continued

TANGO G2 LED			
Family Name	Tango G2 LED	Optics	SWB
Model	BVP281	Driver	Integrated driver
Lumens	4,000lm, 8000lm, 12,000lm	Surge Protection	10kV
Wattage	40W, 80W, 120W	Installation	Universal Bracket
Lamp Colour	4000K, 6500K	Weight	6.5kg
Colour Rendering Index (CRI)	Min 80	Colour of housing	Grey Aluminium
Flex and Plug	No	Application	Area lighting, bill board, façade, industry area, and other general applications.
*Lifetime (L70@35°C)	50,000 hrs	Accessories	N/A
Classifications	IP65, IK07, Class I		

* = When the fitting reaches 70% of full potential (new)

COMMERCIAL CODE	I2NC	DESCRIPTION
BVP281404KSWB	911401635202	BVP281 LED40/NW 40W 220-240V SWB
BVP281804KSWB	911401634102	BVP281 LED80/NW 80W 220-240V SWB
BVP2811204KSWB	911401634202	BVP281 LED120/NW 120W 220-240V SWB
BVP2814065KSWB	911401634602	BVP281 LED40/CW 40W 220-240V SWB
BVP2818065KSWB	911401634702	BVP281 LED80/CW 80W 220-240V SWB
BVP28112065KSWB	911401634802	BVP281 LED120/CW 120W 220-240V SWB

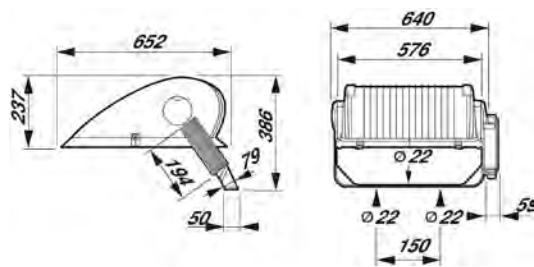
OptiVision

An asymmetric luminaire for downlighting that combines a compact design with very high efficiency. It provides excellent spill-light control and limitation of glare and upward leakage of light. It accommodates metal-halide lamps for good colour rendering or high-pressure sodium lamps for economical operation. Available with narrow, medium and wide beams.



Features and Benefits

- Excellent spill-light control; limitation of glare and upward leakage of light is secured by asymmetric optics that achieve peak intensity at 60° and a sharp cut-off of light at 80°
- Housing dust proof and waterproof to IP65; no internal cleaning required
- Integrated protractor scale for aiming
- The compact, low-weight luminaire, together with the low drag factor, enables savings on mast costs
- Specially designed heat fins to provide optimal working conditions for lamp and reflector system



Product ID	L (mm)	W (mm)	H (mm)
MVP507	640	652	386

Dimensions in mm (Nominal)

OPTIVISION			
Family Name	OptiVision	Control Gear	Conventional (gear tray mounted or IP65 box) **
Model	MVP507	Installation	Floodlight mounting bracket
Lamp Type	SON-T, MHN-LA **	IP rating	IP65
Wattage	600W (SON-T), 1kW, 2kW (MHN-LA) **	Weight	17.3kg (excluding gear)
Lamp Colour	4200K/5600K (MHN-LA) **	Colour of housing	Silver
Colour Rendering Index (CRI)	80/90 (MHN-LA) **	Application	Sports Facilities / Industrial Areas / Car Parks
Flex and Plug	No	Accessories	NA
Optics	NB, MB, WB		

** Please note that lamp and control gear are to be purchased separately.

COMMERCIAL CODE	I2NC	DESCRIPTION
MVP507MH1KW WB	910401647780	MVP507 MHN-LA1000W WB
MVP507SONT1KW WB	910401647680	MVP507 SON-T1000W WB
MVP507SONT600WB	910401647580	MVP507 SON-T1000W WB
MVP507MH2KW NB	823807803511	MVP507 MHN-LA2000W/400V/NB BK
MVP507MH2KW MB	823807803611	MVP507 MHN-LA2000W/400V/MB BK
MVP507MH2KW WB	823807803711	MVP507 MHN-LA2000W/400V/WB BK

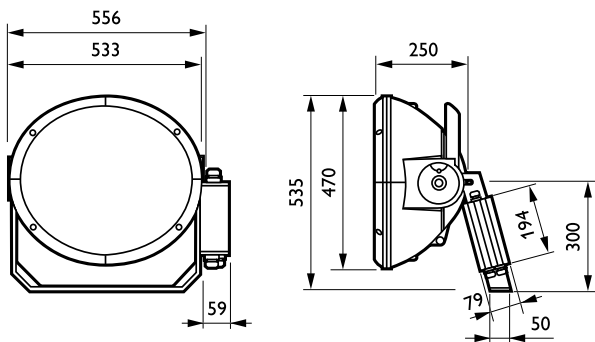
ArenaVision

Since it was first introduced in 1988, Philips ArenaVision has proven to be amongst the best floodlighting systems ever for sports lighting applications, most of which have to fulfill the highest specifications to enable television coverage of national and international events. With ArenaVision, the key disciplines of lamp, optic and gear design were brought together with a single mission: to create the best possible floodlight that will operate effectively for many years. ArenaVision MVF403 is ideal for indoor sports halls as well as many outdoor sports and other illumination uses. It comes with a variety of reflectors and lamps and offers a choice of optical systems.



Features and Benefits

- Together with the unique oval optics, the MHN-SA 2000W lamp guarantees the highest possible system efficiency, low glare and optimal lighting levels on the field
- Built-in reflector reduces spill light and glare even further
- Rear opening access for easy lamp replacement
- Housing dust proof and waterproof to IP65; no internal cleaning required



Product ID	L (mm)	W (mm)	H (mm)
MVF403	533	250	535

Dimensions in mm (Nominal)

ARENAVISION			
Family Name	ArenaVision	Control Gear	Conventional (gear tray mounted or IP65 box) **
Model	MVF403	Installation	Floodlight mounting bracket
Wattage	1kW, 2kW	IP rating	IP65
Lamp Colour	4200K/5600K **	Weight	13.7kg (excluding gear)
Colour Rendering Index (CRI)	80/90 **	Colour of housing	Silver
Flex and Plug	No	Application	Outdoor Sports Lighting / Indoor Sports Halls / Architectural floodlighting
Optics	A1, A2, A3, A4, A5, A6, A7	Accessories	N/A

** Please note that lamp and control gear are to be purchased separately.

ArenaVision continued

COMMERCIAL CODE	I2NC	DESCRIPTION
MVF403MHIKWA1	911401054680	MVF403 C MHN-LAI000W 220-240V A1
MVF403MHIKWA2	911401054780	MVF403 C MHN-LAI000W 220-240V A2
MVF403MHIKWA3	911401054880	MVF403 C MHN-LAI000W 220-240V A3
MVF403MHIKWA4	911401054980	MVF403 C MHN-LAI000W 220-240V A4
MVF403MHIKWA5	911401055080	MVF403 C MHN-LAI000W 220-240V A5
MVF403MHIKWA6	911401055180	MVF403 C MHN-LAI000W 220-240V A6
MVF403MHIKWA7	911401055280	MVF403 C MHN-LAI000W 220-240V A7
MVF403MH2KWA1	910401642180	MVF403 MHN-SA2000W 380-415 CAT-A1 SI
MVF403MH2KWA2	910401642780	MVF403 MHN-SA2000W 380-415 CAT-A2 SI
MVF403MH2KWA3	910401642280	MVF403 MHN-SA2000W 380-415 CAT-A3 SI
MVF403MH2KWA4	910401642380	MVF403 MHN-SA2000W 380-415 CAT-A4 SI
MVF403MH2KWA5	910401642480	MVF403 MHN-SA2000W 380-415 CAT-A5 SI
MVF403MH2KWA6	910401642580	MVF403 MHN-SA2000W 380-415 CAT-A6 SI
MVF403MH2KWA7	910401642680	MVF403 MHN-SA2000W 380-415 CAT-A7 SI

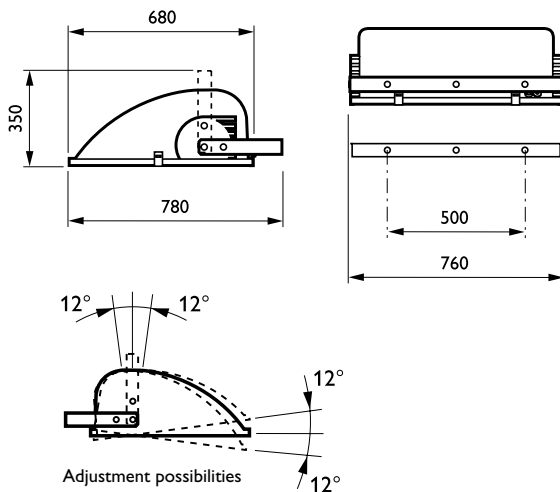
ComfortVision

ComfortVision is a high-efficiency, asymmetric floodlight, distributing a low-glare beam evenly and accurately. It can accommodate metal-halide lamps for good colour rendering or a high-pressure sodium lamp for economical performance. Available in medium- or narrow-beam versions, the floodlight accepts a single 1,000 or two 400 or 600W lamps. The twin-lamp version offers switching flexibility that permits tailoring to the user's needs while allowing energy savings. ComfortVision's rugged all-weather construction is designed for easy aiming, simple cleaning and speedy servicing.



Features and Benefits

- Rugged, all-weather construction
- Single 1000 W or two switchable 400 or 600 W lamps
- Medium or narrow beam
- Adjustment range of $\pm 12^\circ$ from the horizontal
- Universal mounting bracket



Product ID	L (mm)	W (mm)	H (mm)
SNFI 11	780	760	350

Dimensions in mm (Nominal)

ComfortVision continued

COMFORTVISION			
Family Name	ComfortVision	Control Gear	Conventional (gear tray mounted or IP65 box) **
Model	SNF111	Installation	Floodlight mounting bracket
Lamp Types	SON-T	IP rating	IP65
Wattage	1kW, 2x400W **	Weight	23.5kg (excluding gear)
Lamp Colour	N/A **	Colour of housing	Silver
Colour Rendering Index (CRI)	N/A **	Application	Industrial Areas / Roundabouts / Car Parks / Sports Lighting / Airports
Flex and Plug	No	Accessories	N/A
Optics	NB, MB		

** Please note that lamp and control gear are to be purchased separately.

COMMERCIAL CODE	I 2NC	DESCRIPTION
SNF111SON1KWNB	910403929112	SNF111 1xSON-T1000W NB SI
SNF111SON1KWMB	910403929212	SNF111 1xSON-T1000W MB SI
SNF1112SON400NB	910403929512	SNF111 2XSON-T400W NB SI
SNF1112SON400MB	910403929612	SNF111 2xSON-T400W MB SI

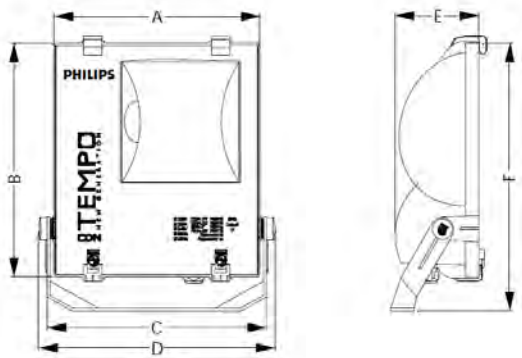
ConTempo HID

The ConTempo floodlight has a registered design that blends well with contemporary outdoor environments. It has a rugged pressure die-casted aluminium housing with corrosion resistant powder coating. ConTempo also features an integrated energy saving copper ballast, electronic semi-parallel ignitor and capacitor. The unit has passed rigorous tests for dust and water ingress protection.



Features and Benefits

- Rugged pressure die-casted aluminium housing with corrosion resistant powder coating
- Integrated energy saving copper ballast, electronic semi-parallel ignitor and capacitor
- Custom-designed peened anodised reflector for efficient symmetric and asymmetric optics
- Hinged toughened glass cover for easy operation
- Rigorously tested for dust and water ingress protection
- Ergonomic installation and maintenance mechanisms



Product ID	D (mm)	E (mm)	F (mm)
RVP250	363	117	424
RVP350	460	137	476

Dimensions in mm (Nominal)

CONTEMPO HID

Family Name	ConTempo HID	Control Gear	Conventional
Model	RVP250/350	Installation	Universal Bracket
Lamp Type	MHN-TD, HPI-T, SON-T	IP rating	IP65
Wattages	70W, 150W, 250W, 400W	Weight	RVP250 (4.7kg) , RVP350 (9.4kg)
Lamp Colour	MHN-TD (4200K), HPI-T (4500K), SON-T (2000K)	Colour of housing	Grey
Colour Rendering Index (CRI)	MHN-TD (80) , HPI-T (65) , SON-T (25)	Application	Area Lighting / Billboard / Façade / Industrial Areas / Other General
Flex and Plug	No	Accessories	N/A
Optics	Symmetrical, Asymmetrical		

ConTempo HID continued

COMMERCIAL CODE	I2NC	DESCRIPTION
RVP250MH70TDKA	911401057480	RVP250 MHN-TD70W K IC 240V 50Hz A SP
RVP250MH70TDKS	911401056380	RVP250 MHN-TD70W K IC 240V 50Hz S SP
RVP250MHI50TDKA	911401057580	RVP250 MHN-TDI50W K IC 240V 50Hz A SP
RVP250MHI50TDKS	911401057180	RVP250 MHN-TDI50W K IC 240V 50Hz S SP
RVP350HPI250TKA	911401056980	RVP350 HPI-T250W K IC 240V 50Hz A SP
RVP350HPI250TKS	911401056580	RVP350 HPI-T250W K IC 240V 50Hz S SP
RVP350HPI400TKA	911401057080	RVP350 HPI-T400W K IC 240V 50Hz A SP
RVP350HPI400TKS	911401056680	RVP350 HPI-T400W K IC 240V 50Hz S SP
RVP250SON70TKA	911401057680	RVP250 SON-T70W K IC 240V 50Hz A SP
RVP250SON70TKS	911401057280	RVP250 SON-T70W K IC 240V 50Hz S SP
RVP250SON150TKA	911401057780	RVP250 SON-TI50W K IC 240V 50Hz A SP
RVP250SON150TKS	911401057380	RVP250 SON-TI50W K IC 240V 50Hz S SP
RVP350SON250TKA	911401056780	RVP350 SON-T250W K IC 240V 50Hz A SP
RVP350SON250TKS	911401057880	RVP350 SON-T250W K IC 240V 50Hz S SP
RVP350SON400TKA	911401056880	RVP350 SON-T400W K IC 240V 50Hz A SP
RVP350SON400TKS	911401056480	RVP350 SON-T400W K IC 240V 50Hz S SP

Tango HID

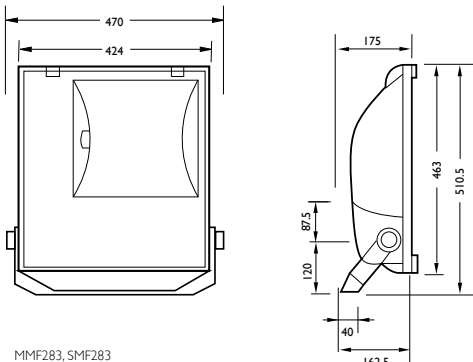
Compact, sturdy floodlight complete with integral gear, particularly suited for surface lighting using metal halide or high-pressure sodium lamps. All-weather construction designed for simple cleaning and speedy servicing.



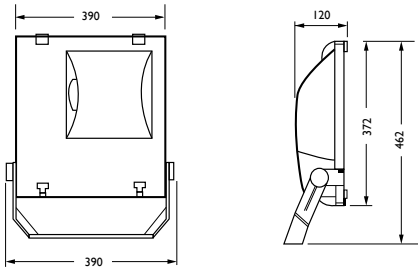
Features and Benefits

- High-grade symmetrical or asymmetrical reflector projects a highly efficient light beam
- Wall, ceiling and surface mountings with wide range of adjustments for both down and up lighting
- Quick, easy access to lamp and gear, without affecting beam adjustment, through hinged front window with quick-release clips
- Housing dustproof and jetproof; no internal cleaning required

MMF383, SMF383



MMF283, SMF283



Product ID	L (mm)	W (mm)	H (mm)
MMF383, SMF383	470	175	510.5
MMF283, SMF283	390	120	462

Dimensions in mm (Nominal)

Tango HID continued

TANGO HID			
Family Name	Tango HID	Control Gear	Conventional
Model	Tango 2 (SMF283, MMF283), Tango 3 (SMF383, MMF383)	Installation	Universal Bracket
Lamp Types	MHN-TD, HPI-T, SON-T	IP rating	IP65
Wattages	70W, 150W, 250W, 400W	Weight	Tango 2 (7.6-9kg) Tango 3 (12.5 -14kg)
Lamp Colour	MHN-TD (4200K), HPI-T (4500K), SON-T (2000K)	Colour of housing	Black
Colour Rendering Index (CRI)	MHN-TD (80) , HPI-T (65) , SON-T (25)	Application	Area Lighting / Billboard / Façade / Industrial Areas / Other General
Flex and Plug	No	Accessories	N/A
Optics	Symmetrical, Asymmetrical		

COMMERCIAL CODE	I2NC	DESCRIPTION
MMF283MH70TDKS	91040333201	MMF283 MHN-TD70W Tango S K 240v 50hz
MMF283MHI50TDKS	91040333101	MMF283 MHN-TD150W Tango S K 240v 50hz
MMF383HPI250TKS	910403334201	MMF383 HPI-T250W Tango S K 240v 50hz
MMF383HPI400TKS	910403334401	MMF383 HPI-T400W Tango S K 240v 50hz
MMF383HPI400TKA	910403334501	MMF383 HPI-T400W Tango A K 240v 50hz
SMF283SON70TKS	910403336601	SMF283 SON-T70W Tango S K 240v 50hz
SMF383SON250TKS	910403333801	SMF383 SON-T250W Tango S K 240v 50hz
SMF383SON400TKS	910403334001	SMF383 SON-T400W Tango S K 240v 50hz
SMF383SON400TKA	910403334101	SMF383 SON-T400W Tango A K 240x 50hz

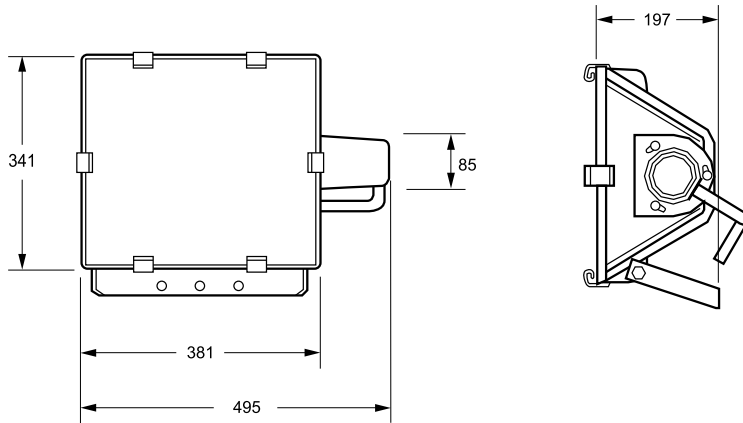
HNF90I (Puma)

A versatile floodlight suitable for small to medium scale floodlighting for sports or similar areas. It offers good colour rendering with HPI-T metal halide lamps, or economical operation with SON-T high pressure sodium lamps. Robust and simple construction designed for easy aiming, quick maintenance and long service life.



Features and Benefits

- Robust and simple construction designed for easy aiming, quick maintenance and long service life.
- Suitable for multiple applications including industrial areas and sports facilities.



Product ID	L (mm)	W (mm)	H (mm)
HNF90I	495	197	341

Dimensions in mm (Nominal)

HNF90I (PUMA)			
Family Name	Puma	Control Gear	N/A
Model	HNF90I	Installation	Universal bracket
Wattage	N/A	IP rating	IP65
Lamp Colour	N/A	Weight	8kg
Colour Rendering Index (CRI)	N/A	Colour of housing	Silver
Flex and Plug	No	Application	Sports facilities / General areas / Industrial areas / Car Parks
Optics	NB, WB	Accessories	N/A

* Please note fitting is supplied without lamp

COMMERCIAL CODE	I2NC	DESCRIPTION
HNF90IGRNB	911401040780	HNF90I NARROW FLOOD
HNF90IGRWB	911401040380	HNF90I WIDE FLOOD
HNF90IBLNB	911401040880	HNF90I NRW FLD - BLACK



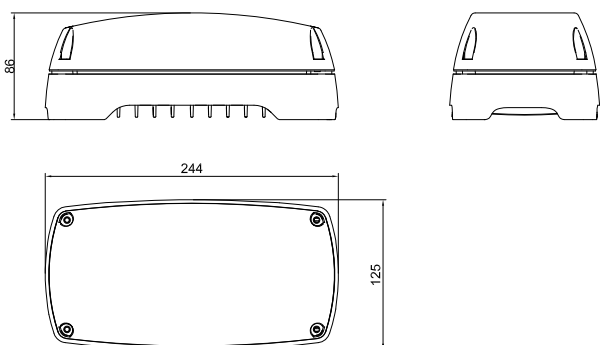
Mini Vandalite LED

Everyone wants to feel safe after dark, and yet we're also conscious of the need to save energy. The solution to this dilemma is here in the form of Mini Vandalite LED, a ceiling or wall-mounted security and amenity lighting luminaire. LED-based, it delivers low-energy lighting all night long. Its translucent bowl provides excellent light distribution for low-level lighting of walls, corridors and surroundings. The high reliability and longevity of LEDs means that neither lamp replacement nor maintenance is required during the luminaire's long service life, thus reducing costs. Mini Vandalite's robust, vandal-resistant construction makes it suitable for both outdoor and indoor applications.



Features and Benefits

- Point to Point replacement of fluorescent bulkheads
- 12W (600 lm) and 17W (900 lm)
- 50 lm/W, Energy Savings up to 30%
- Compact and easy to install
- Life up to 50,000hrs (L70)
- IP65/IK10 robust design and vandal resistant construction
- Outdoor Residential / Security Lighting



Product ID	L (mm)	W (mm)	H (mm)
BCW098	244	125	86

Dimensions in mm (Nominal)

* = When the fitting reaches 70% of full potential (new)



Mini Vandalite LED continued

MINI VANDALITE LED			
Family Name	Mini Vandalite	Dimmable	PSU (Fixed output)
Model	BCW098	Installation	Wall Mounted
Lumen/ Watt	900lm/ 17W 600lm/ 12W	IP rating	IP65
Lamp Colour	4000K	IK Rating	IK10
Colour Rendering Index (CRI)	85	Colour of housing	Dark grey, RAL 7043
Flex and Plug	Not included	Application	Residential, Security
*Lifetime (L70)	50,000hrs	Accessories	n/a
Unified Glare Ratio (UGR)	n/a	Suspension Height - min/max	NA
Optics	120D	Maximum Run Length	NA
Driver	Integrated driver		

COMMERCIAL CODE	I2NC	DESCRIPTION
BCW0986L12W4KF	911401704901	BCW098 LED6/NW
BCW0989L17W4KF	911401705001	BCW098 LED9/NW



Twin Motion LED Sensor

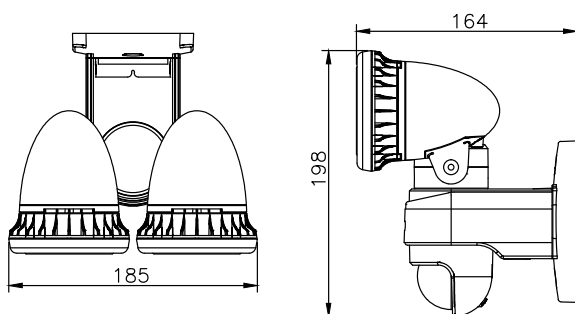
The Philips LED motion sensor incorporates the latest in lighting technology with practical and user friendly features, including adjustable beam angles and sensor timer.

Designed as a total fit and forget solution, the LED motion and daylight sensor is the complete package with low energy usage and extra long life.



Features and Benefits

- Low 2 x 7.5W LED adjustable beam angles
- Bright 5,000K colour temperature
- Up to 30,000 hours lifetime
- IP44 rated for outdoor use
- Powerful 1,000 lumens light output



Product ID	L (mm)	W (mm)	H (mm)
EH313L	164	185	198

Dimensions in mm (Nominal)

TWIN MOTION LED SENSOR

Family Name	Twin Motion LED Sensor	Dimmable	PSU (Fixed output)
Model	EH313L	Installation	Wall Mounted
Lumen/ Watt	EH313L - 1000lm/ 15W	IP rating	IP44
Lamp Colour	5000K	Weight	0.80kg
Colour Rendering Index (CRI)	80	Colour of housing	Black
Flex and Plug	Not included	Application	Residential Security
*Lifetime (L70)	30,000 hrs	Accessories	n/a
Unified Glare Ratio (UGR)	n/a	Suspension Height - min/max	NA
Optics	110D	Maximum Run Length	NA
Driver	Integrated driver		

COMMERCIAL CODE

EH313LLED

I2NC

919023001234

DESCRIPTION

EH313L LED Twin Motion Sensor

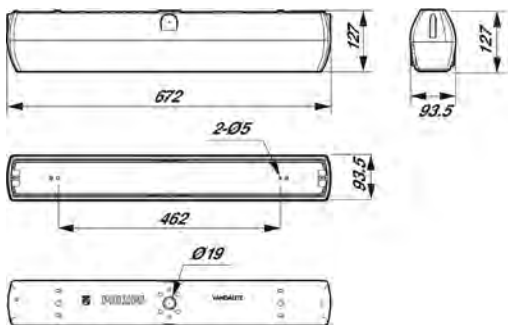
Vandalite

Vandalite is a surface mounted fluorescent luminaire that, as its name implies, is a tough, dust and watertight product for situations where semi-outdoor exposure and vandalism can be a problem. The Vandalite has an IP65 rating, being totally dustproof and waterproof. Its robust construction makes it virtually vandal-proof. The body is injection moulded, glass filled nylon for long life and added strength. The reflector is of pressed prepainted steel with integral gear and rota-lock lampholders for 1xTL5 14W lamp or with moulding and posts for 2xPL 18W or 1xPL 36W lamps.



Features and Benefits

- Dust, water and impact protection
- Optimum light distribution and performance
- Easy installation and maintenance



Product ID	L (mm)	W (mm)	H (mm)
TCW098 T5	672	93	126
TCW098 T8	672	93.5	127

Dimensions in mm (Nominal)

VANDALITE			
Family Name	Vandalite	Installation	Screw mounted
Model	TCW098	IP rating	IP65
Watt	14W (T5), 18W/36W (T8)	Weight	2kg
Lamp Colour	N/A	Application	Residential, Industrial, Commercial
Colour Rendering Index (CRI)	N/A	Accessories	N/A
Flex and Plug	No		
Driver	High Frequency Ballast/Conventional		

COMMERCIAL CODE	I2NC	DESCRIPTION
TCW098I14T5CL	910403630084	TCW098 1xTL5 14W K HFS CL
TCW098I14T5OP	910403630085	TCW098 1xTL5 14W K HFS OP
FCW09824CFLOP	911400606880	FCW098 1xTornado 24W K O





Consumer Luminaires







LEDINO

Giving light a new experience

Minimalist and elegant. Simple yet versatile. Philips Ledino injects a natural sense of purity and beauty into your home.

With a linear design and an integrated LED light source, it's ideal for the sophisticated living room, dining area or bedroom. And perfect for the savvy urbanite.

You'll enjoy natural white light adjustable to the preferred atmosphere, thanks to its state-of-the-art Power LEDs. Together, they give your interior a beautiful diffused white accent, and an energy-efficient light source that lasts up to 20,000 hours.

Time to feel right at home with the future.



Tunable White

A simple key lets you choose between four different white light colour temperatures (3450, 3100, 2700, 2500 Kelvin) on selected fittings.



69092/31 Suspension Light



69092/31 SUSPENSION LIGHT

Colour/Finish	White, aluminium
IP rating	IP20
Lamp	LED 4 x 7.5W, 2700K
Dimensions (mm)	900 x 106 x MAX 1480 (adjustable height)
Commercial Code	69092/29/86 (2.7K)

69092/87 Suspension Light



69092/87 SUSPENSION LIGHT

Colour/Finish	Aluminium
IP rating	IP20
Lamp	LED 4 x 7.5W, 2700K
Dimensions (mm)	900 x 106 x MAX 1480 (adjustable height)
Commercial Code	69092/11/86 (2.7K)

69064/87 Wall Light



69064/87 WALL LIGHT

Colour/Finish	Grey
IP rating	IP20
Lamp	LED 1 x 2.5W, 4000K or 2700K
Dimensions (mm)	120 x 120 x 506
Commercial Code	69064/87/86 (4K) or 69064/99/86 (2.7K)

69070/31 Wall/Ceiling Light



69070/31 WALL/CEILING LIGHT

Colour/Finish	White
IP rating	IP20
Lamp	LED 1 x 7.5W, 4000K or 2700K
Dimensions (mm)	72 x 168 x 130
Commercial Code	69070/31/86 (4K) or 69070/29/86 (2.7K)

69072/31 Wall/Ceiling Light



69072/31 WALL/CEILING LIGHT

Colour/Finish	White
IP rating	IP20
Lamp	LED 2 x 7.5W, 4000K or 2700K
Dimensions (mm)	315 x 133 x 73
Commercial Code	69072/31/86 (4K) or 69072/29/86 (2.7K)



69074 Wall/Ceiling Light



69074 WALL/CEILING LIGHT

Colour/Finish	White
IP rating	IP20
Lamp	LED 4 x 7.5W, 4000K or 2700K
Dimensions (mm)	284 x 284 x 73
Commercial Code	69074/31/86 (4K) or 69074/29/86 (2.7K)

69080/87 Wall/Ceiling Light



69080/87 WALL/CEILING LIGHT

Colour/Finish	Grey
IP rating	IP20
Lamp	LED 1 x 7.5W, 4000K
Dimensions (mm)	136 x 132 x 102
Commercial Code	69080/87/86 (4K)

69082/87 Wall/Ceiling Light



69082/87 WALL/CEILING LIGHT

Colour/Finish	Grey
IP rating	IP20
Lamp	LED 2 X 7.5W, 4000K
Dimensions (mm)	185 x 503 x 58
Commercial Code	69082/87/86 (4K)

69084/87 Wall/Ceiling Light



69084/87 WALL/CEILING LIGHT

Colour/Finish	Grey
IP rating	IP20
Lamp	LED 4 x 7.5W, 4000K or 2700K
Dimensions (mm)	185 x 903 x 58
Commercial Code	69084/87/86 (4K) or 69084/99/86 (2.7K)

69089/31 Wall Light



69089/31 WALL LIGHT

Colour/Finish	White
IP rating	IP20
Lamp	LED 2 x 2.5W, 4000K or 2700K
Dimensions (mm)	95 x 127 x 55
Commercial Code	69089/31/86 (4K) or 69089/29/86 (2.7K)



ESSENTIAL LED

Slimline Ceiling Oyster Range

.....

The new Philips Essential LED Ceiling range delivers the advantages of LED technology in surface mount ceiling luminaires. These are an ideal replacement for older incandescent, ecohalogen or fluorescent based oysters. The LED light sources used are up to 75% more energy efficient versus traditional light sources¹. Using LED allows a stylish slim line design only 50mm thick for a clean, unobtrusive installation.

LED deliver longer life than conventional light sources with up to 15,000 hours² of hassle free light delivered instantly in a soft uniform manner via durable, yellowing & chip resistant acrylic diffusers. The range offers a choice of 3 popular sizes and warm white or cool white colour temperatures.

1. Ultra efficient LED light source saves up to 75% energy vs. Philips EcoClassic halogen lamps with similar light output.
2. Up to 15,000 hours lifetime at 70% lumen maintenance in residential use.



30804 Slimline Ceiling Oyster 12W



30804 CEILING OYSTER 12W

Colour/Finish	White bezel
Lamp	LED 12W, 3000K or 5700K
Dimensions (mm)	290 x 290 x 50
Commercial Code	30804/61/46 (3K) or 30804/31/46 (5.7K)

30805 Slimline Ceiling Oyster 17W



30805 CEILING OYSTER 17W

Colour/Finish	White bezel
Lamp	LED 17W, 3000K or 5700K
Dimensions (mm)	350 x 350 x 50
Commercial Code	30805/61/46 (3K) or 30805/31/46 (5.7K)

30806 Slimline Ceiling Oyster 22W



30806 CEILING OYSTER 22W

Colour/Finish	White bezel
Lamp	LED 22W, 3000K or 5700K
Dimensions (mm)	380 x 380 x 50
Commercial Code	30806/61/46 (3K) or 30806/31/46 (5.7K)





ROOMSTYLERS

Express your style with light

Understated, yet thoroughly distinct. The Philips Roomstylers contemporary collection blends effortlessly into any modern home décor, thanks to light fixtures that span a wide spectrum of colours and materials.

Available in both stand-alone and coordinated sets, the range includes wall and ceiling lights. All designed to give you the flexibility you need to complement your lifestyle.

TCG701 Ceiling/Wall Light



TCG701 CEILING/WALL LIGHT

Colour/Finish	White colour, sand blasted glass, steel
Lamp	E27, lamp not included
Dimensions (mm)	340 x 340 x 100
Commercial Code	30010/17/46

TCG702 Ceiling/Wall Light



TCG702 CEILING/WALL LIGHT

Colour/Finish	Nickel finish, sand blasted glass, steel
Lamp	E27, lamp not included
Dimensions (mm)	360 x 360 x 96
Commercial Code	30012/17/46

TCG700 Ceiling/Wall Light



TCG700 CEILING/WALL LIGHT

Colour/Finish	Gold finish, sand blasted glass, steel
Lamp	Lamp included
Dimensions (mm)	340 x 340 x 100
Commercial Code	30052/01/86

TCG700 Ceiling/Wall Light



TCG700 CEILING/WALL LIGHT

Colour/Finish	White, chrome finish, sand blasted glass, steel
Lamp	Lamp included
Dimensions (mm)	340 x 340 x 100
Commercial Code	30052/11/86

TCG700 Ceiling/Wall Light



TCG700 CEILING/WALL LIGHT

Colour/Finish	White colour, sand blasted glass, steel
Lamp	Lamp included
Dimensions (mm)	340 x 340 x 100
Commercial Code	30052/56/86

QCG307 Ceiling/Wall Light



QCG307 CEILING/WALL LIGHT

Colour/Finish	White, nickel finish, sand blasted glass
Lamp	E27, lamp not included
Dimensions (mm)	370 x 370 x 116
Commercial Code	70107/86/17

QCG307 Ceiling/Wall Light



QCG307 CEILING/WALL LIGHT

Colour/Finish	White colour, sand blasted glass
Lamp	E27, lamp not included
Dimensions (mm)	370 x 370 x 116
Commercial Code	70107/86/31

QWG306 Wall Light



QWG306 WALL LIGHT

Colour/Finish	White, glass and steel
Lamp	E27, lamp not included
Dimensions (mm)	265 x 95 x 255
Commercial Code	33710/30/86

FWG301 Wall Light



FWG301 WALL LIGHT

Colour/Finish	Beige, sand blasted glass with fabric
Lamp	E27, lamp not included
Dimensions (mm)	315 x 111 x 168
Commercial Code	33200/30/76

QWG311 Wall Light



QWG311 WALL LIGHT

Colour/Finish	Dark grey, steel and glass
Lamp	E27, lamp not included
Dimensions (mm)	401 x 103 x 90
Commercial Code	33206/93/86





KIDSPLACE

Fun spaces with light & colour

Light up a child's world with Philips Kidsplace – a specially designed collection of child-safe light fittings. Available in diverse designs with playful colours, they transform a child's bedroom into a magical wonderland.

Its wide range of ambient lighting gives a sense of cosiness and warmth, encouraging children to be themselves and have fun. Turning on the switch is like stepping into a make-believe world of a child's creative imaginings.

This collection is the perfect touch for a child to play, learn, create - a dream!

QCG316 Ceiling Light



QCG316 CEILING LIGHT

Colour/Finish	Mixed colour, glass, wood
IP rating	IP20
Lamp	E27, lamp not included
Dimensions (mm)	400 x 400 x 430
Commercial Code	40153/55/86

QPG308 Suspension Light



QPG308 SUSPENSION LIGHT

Colour/Finish	Mixed colour, steel, synthetics, wood
IP rating	IP20
Lamp	E27, lamp not included
Dimensions (mm)	185 x 234 x MAX 1500 (adjustable height)
Commercial Code	40279/55/86

QCG310 Ceiling Light



QCG310 CEILING LIGHT

Colour/Finish	Mixed colour, steel, satinated glass, wood
IP rating	IP20
Lamp	E27, lamp not included
Dimensions (mm)	300 x 300 x 135
Commercial Code	30110/55/56

QCG311 Ceiling Light



QCG311 CEILING LIGHT

Colour/Finish	Mixed colour, steel, satinated glass, wood
IP rating	IP20
Lamp	E27, lamp not included
Dimensions (mm)	300 x 300 x 135
Commercial Code	30111/55/86

QCG315 Ceiling Light



QCG315 CEILING LIGHT

Colour/Finish	Mixed colour, glass, steel, wood
IP rating	IP20
Lamp	E27, lamp not included
Dimensions (mm)	400 x 400 x 356
Commercial Code	30112/55/86

QPG314 Suspension Light



QPG314 SUSPENSION LIGHT

Colour/Finish	Mixed colour, wood, steel
IP rating	IP20
Lamp	E27, lamp not included
Dimensions (mm)	420 x 420 x MAX 1300 (adjustable height)
Commercial Code	40178/55/86

QPG315 Suspension Light



QPG315 SUSPENSION LIGHT

Colour/Finish	Mixed colour, steel, synthetics, wood
IP rating	IP20
Lamp	Ambiance E27, lamp included
Dimensions (mm)	267 x 267 x MAX 1200 (adjustable height)
Commercial Code	40204/55/86

FPG302 Suspension Light



FPG302 SUSPENSION LIGHT

Colour/Finish	Mixed colour, wood, steel
IP rating	IP20
Lamp	Ambiance E27, lamp included
Dimensions (mm)	470 x 130 x MAX 1250 (adjustable height)
Commercial Code	40429/55/86

QPG313 Suspension Light



QPG313 SUSPENSION LIGHT

Colour/Finish	Yellow, wood, synthetics
IP rating	IP20
Lamp	Ambiance E27, lamp included
Dimensions (mm)	380 x 110 x MAX 1050 (adjustable height)
Commercial Code	75500/86/34

QPG316 Suspension Light



QPG316 SUSPENSION LIGHT

Colour/Finish	Mixed colour, wood, synthetics
IP rating	IP20
Lamp	Ambiance E27, lamp not included
Dimensions (mm)	300 x 350 x MAX 1100 (adjustable height)
Commercial Code	78621/86/55

40229 Suspension Light



40229 SUSPENSION LIGHT

Colour/Finish	Mixed colour, wood
IP rating	IP20
Lamp	Ambiance E27, lamp included
Dimensions (mm)	320 x 270 x MAX 1500 (adjustable height)
Commercial Code	40229/55/86

40295 Suspension Light



40295 SUSPENSION LIGHT

Colour/Finish	Purple and pink, wood
IP rating	IP20
Lamp	Ambiance E27, lamp included
Dimensions (mm)	493.7 x 394.8 x MAX 1500 (adjustable height)
Commercial Code	40295/49/86

69112 Guidelight Bug



69112 GUIDELIGHT BUG

Colour/Finish	Red colour, synthetics
Switch	Motion sensor
Lamp	LED 2 x 0.06W included
Dimensions (mm)	105 x 80 x 105
Commercial Code	69112/32/46

69112 Guidelight Bee



69112 GUIDELIGHT BEE

Colour/Finish	Yellow colour, synthetics
Switch	Motion sensor
Lamp	LED 2 x 0.06W included
Dimensions (mm)	105 x 80 x 105
Commercial Code	69112/34/46







Aquafit

Turn your bathroom into a spa

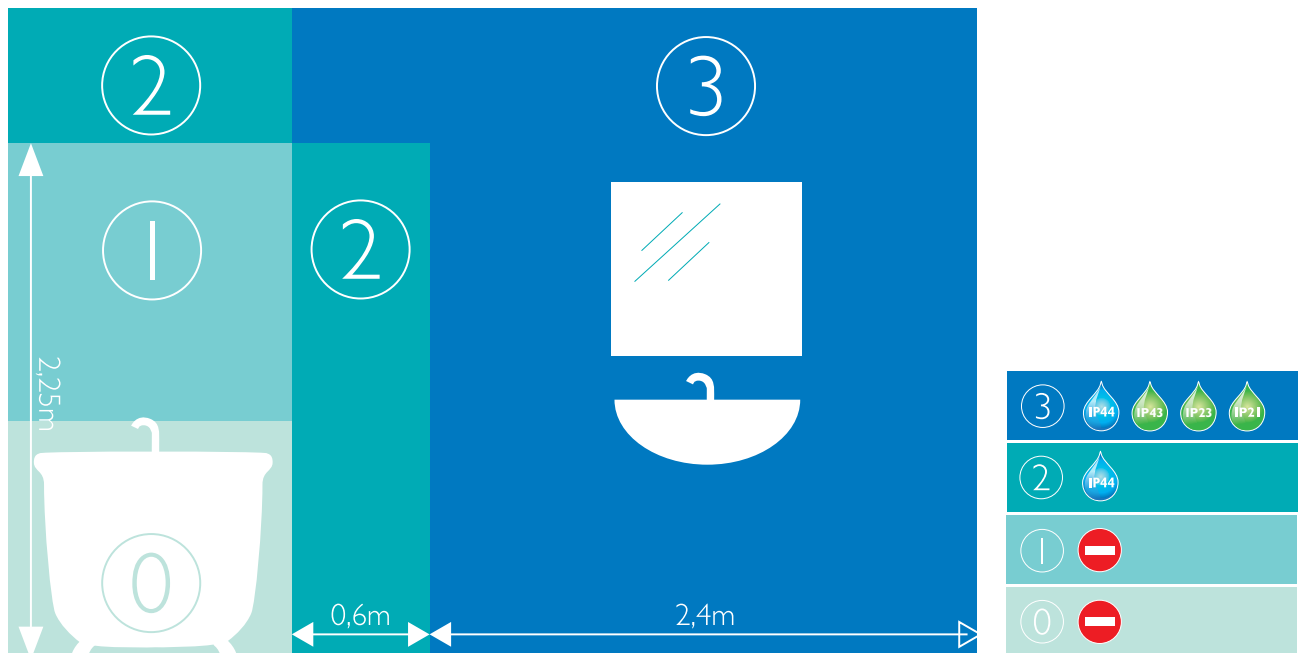
Inspired by the beauty of water, Philips Aquafit turns your bathroom into a rejuvenating experience. You'll find bright task and general lighting imbued with style and functionality.

Apply make-up or shave effortlessly with tasteful task lights placed around your mirror. Or create a soothing ambience with basic illumination from our ceiling lights.

All products are specially designed with Ingress Protection (IP) rating, without compromising on brightness or style. Total peace of mind in your oasis of calm.

The right light for the right area

Take note when choosing bathroom lighting as there are strict regulations concerning the type of light you can use. The following information is a guide to help you understand what light fittings can be placed where.



Area 0 - 1 – Bathtub area

Philips does not recommend the use of any lighting fixtures in these areas.

Area 2 – Ceiling and outside shower area

General lighting from luminaires installed on the ceiling can provide the illumination needed here.

Safety requirement:

This area stretches to 0.6m outside the bath/shower and 2.25m above the floor. Since there is a risk of water accidentally splashing on the fitting, an IP rating of at least IP44 is required.

Area 3 – Grooming area near vanity

This area requires bright shadow free light for task orientated activities like shaving or make up application.

Safety requirement:

This area stretches beyond zone 2. As long as there is no chance of the fixture being splashed with water or steam, an IP21 rating is sufficient.

A higher IP rating can always be used to ensure added safety.

QCZ800 Ceiling Light



QCZ800 CEILING LIGHT

Colour/Finish	White colour, glass
IP rating	IP44
Lamp	E27, lamp not included
Dimensions (mm)	260 x 260 x 120
Commercial Code	32005/31/76

QCZ806 Ceiling Light



QCZ806 CEILING LIGHT

Colour/Finish	White colour, glass
IP rating	IP44
Lamp	E27, lamp not included
Dimensions (mm)	320 x 320 x 110
Commercial Code	32066/31/76

QCZ802 Ceiling/Wall Light



QCZ802 CEILING/WALL LIGHT

Colour/Finish	Chrome colour, steel with glass
IP rating	IP44
Lamp	E27, lamp not included
Dimensions (mm)	315 x 315 x 100
Commercial Code	32010/11/76

QCZ802 Ceiling/Wall Light



QCZ802 CEILING/WALL LIGHT

Colour/Finish	Nickel colour, steel with glass
IP rating	IP44
Lamp	E27, lamp not included
Dimensions (mm)	315 x 315 x 100
Commercial Code	32010/17/76

32047 Wall Light



32047 WALL LIGHT

Colour/Finish	Chrome colour, metal with glass
IP rating	IP44
Lamp	E14, lamp not included
Dimensions (mm)	202 x 100 x 163
Commercial Code	32047/11/66

32048 Wall Light



32048 WALL LIGHT

Colour/Finish	Chrome colour, metal with glass
IP rating	IP44
Lamp	E14, lamp not included
Dimensions (mm)	190 x 320 x 163
Commercial Code	32048/11/66

32049 Wall Light



32049 WALL LIGHT

Colour/Finish	Chrome colour, metal with glass
IP rating	IP44
Lamp	E14, lamp not included
Dimensions (mm)	190 x 500 x 163
Commercial Code	32049/11/66

32029 Wall Light



32029 WALL LIGHT

Colour/Finish	Chrome colour, metal with glass
IP rating	IP21
Lamp	E14, lamp not included
Dimensions (mm)	190 x 100 x 165
Commercial Code	32029/11/66

32030 Wall Light



32030 WALL LIGHT

Colour/Finish	Chrome colour, metal with glass
IP rating	IP21
Lamp	E14, lamp not included
Dimensions (mm)	190 x 320 x 165
Commercial Code	32030/11/66

32031 Wall Light



32031 WALL LIGHT

Colour/Finish	Chrome colour, metal with glass
IP rating	IP21
Lamp	E14, lamp not included
Dimensions (mm)	190 x 460 x 165
Commercial Code	32031/11/66

32032 Wall Light



32032 WALL LIGHT

Colour/Finish	Chrome colour, metal with glass
IP rating	IP21
Lamp	E14, lamp not included
Dimensions (mm)	218 x 100 x 200
Commercial Code	32032/11/66

32033 Wall Light



32033 WALL LIGHT

Colour/Finish	Chrome colour, metal with glass
IP rating	IP21
Lamp	E14, lamp not included
Dimensions (mm)	218 x 320 x 200
Commercial Code	32033/11/66

32035 Wall Light



32035 WALL LIGHT

Colour/Finish	Chrome colour, metal with glass
IP rating	IP21
Lamp	E14, lamp not included
Dimensions (mm)	241 x 100 x 247
Commercial Code	32035/11/66

32036 Wall Light



32036 WALL LIGHT

Colour/Finish	Chrome colour, metal with glass
IP rating	IP21
Lamp	E14, lamp not included
Dimensions (mm)	240 x 320 x 185
Commercial Code	32036/11/66

32044 Wall Light



32044 WALL LIGHT

Colour/Finish	Chrome colour, metal with glass
IP rating	IP21
Lamp	E14, lamp not included
Dimensions (mm)	196 x 100 x 167
Commercial Code	32044/11/66

32045 Wall Light



32045 WALL LIGHT

Colour/Finish	Chrome colour, metal with glass
IP rating	IP21
Lamp	E14, lamp not included
Dimensions (mm)	183 x 320 x 167
Commercial Code	32045/11/66

32046 Wall Light



32046 WALL LIGHT

Colour/Finish	Chrome colour, metal with glass
IP rating	IP21
Lamp	E14, lamp not included
Dimensions (mm)	185 x 500 x 167
Commercial Code	32046/11/66





OUTERSTYLERS

At home with nature

The Philips Outerstylers collection puts you right at home with the great outdoors. Water and weather-resistant, it illuminates your balcony or garden in style.

Designed to leave a lasting impression, you'll find a wide selection of outdoor lighting made from long-lasting materials. So your home – and the space it nestles in – exudes a beauty that's truly enduring.

Yet the collection does more than enhance your outdoor spaces. It ensures your pathways, steps and porches are well and safely lit, preventing accidents and protecting your family from intruders – without compromising on style or elegance.

For the perfect sanctuary, inside and out.



Designed for safety and long life

EWS300 Wall Light



EWS300 WALL LIGHT

Colour/Finish	Stainless steel finish. Stainless steel, synthetics, aluminium, 360° light output
IP rating	IP44
Lamp	E27, lamp not included
Dimensions (mm)	235 x 95 x 260
Commercial Code	17086/47/46

EWP300 Wall Light



EWP300 WALL LIGHT

Colour/Finish	Light Grey colour. Aluminium, synthetics
IP rating	IP44
Lamp	E27, lamp not included
Dimensions (mm)	356 x 93 x 75
Commercial Code	17130/87/46

I7105 Wall Light



I7105 WALL LIGHT

Colour/Finish	Light Grey, aluminium, synthetics
IP rating	IP44
Lamp	E27, lamp not included
Dimensions (mm)	113 x 290 x 130
Commercial Code	17105/87/46

I7105 Wall Light



I7105 WALL LIGHT

Colour/Finish	Anthracite, aluminium, synthetics
IP rating	IP44
Lamp	E27, lamp not included
Dimensions (mm)	113 x 290 x 130
Commercial Code	17105/93/46

I7173 Wall Light



I7173 WALL LIGHT

Colour/Finish	Inox, stainless steel, glass
IP rating	IP44
Lamp	E14, lamp not included
Dimensions (mm)	176 x 93 x 200
Commercial Code	17173/47/46





LED DESK LAMPS

Give your eyes a break

Breeze through long work sessions with the Philips range of desk lamps to assist with any of your task lighting needs.

The collection of Philips desk lamps are functional with a custom designed reflector which enables apt lighting, while the 2D flexibility lets you direct light along the vertical plane.



Eyecare Black



LED DESK LIGHT EYECARE BLACK

Colour/Finish	Black
Lamp	LED 5W, 6500K Dimmable
Commercial Code	69195/30/46

Eyecare White



LED DESK LIGHT EYECARE WHITE

Colour/Finish	White
Lamp	LED 5W, 6500K Dimmable
Commercial Code	69195/31/46

Vane Blue



LED DESK LIGHT VANE BLUE

Colour/Finish	Blue
Lamp	LED 7W, 6500K Collapsible 2D Swivel arm Dimmable – 3 step tap control
Dimensions (mm)	415 x 135 x 38
Commercial Code	31668/35/46

Vane Pink



LED DESK LIGHT VANE PINK

Colour/Finish	Pink
Lamp	LED 7W, 6500K Collapsible 2D Swivel arm Dimmable – 3 step tap control
Dimensions (mm)	415 x 135 x 38
Commercial Code	31668/28/46

Vane Grey



LED DESK LIGHT VANE GREY

Colour/Finish	Grey
Lamp	LED 7W, 6500K Collapsible 2D Swivel arm Dimmable – 3 step tap control
Dimensions (mm)	415 x 135 x 38
Commercial Code	31668/87/46





LIVING COLORS

Set the mood

Imagine a room with a personality that reflects your own. One that creates the perfect ambience. Dictated not by a mere coat of paint but the entire spectrum of the rainbow.

Want a little 'me' time? Try a soothing blue. Feeling light? Get cheery pink. Romance in the air? Turn passionate red.

All inspired by you.

Living Colors Micro-White



LIVING COLORS MICRO-WHITE

Colour/Finish	White
Lamp	LED 1 x 5W (creates 64 colours)
Dimensions (mm)	110 x 120 x 100
Commercial Code	70018/31/46

Living Colors Iris-Black



LIVING COLORS IRIS-BLACK

Colour/Finish	Black
Lamp	LED 1 x 10W (creates 16 million colours) Dimmable
Dimensions (mm)	218 x 218 x 225
Commercial Code	70999/30/46





Lamps