

Cable Trunking

with bottom perforation, with cover

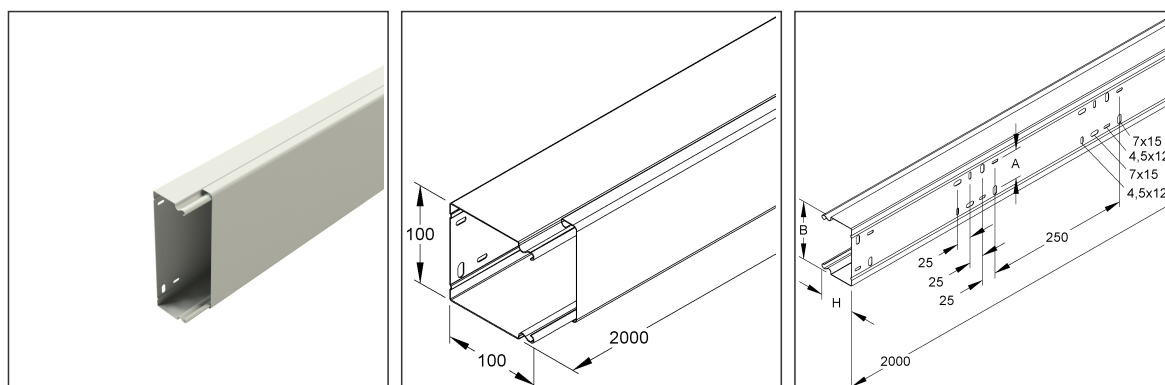
LLK 100.100 R

EAN Code: 4013339813759

Smallest packaging unit: 4 x 2 m

quantity unit: m M

the photorealistic images are to be considered as reference images



Article Description

Cable protection duct with cover, 100x100x2000 mm, steel, pre-galvanised according to DIN EN 10346, powder-coated, RAL9010

Additional Price Information

Article group	N16
quantity unit	m

Weight

Weight per quantity unit	3,324 kg / m
Weight in kg per 100	332 kg / 100m

Technical Datasheet

Cable protection duct

LLK 100.100 R

the photorealistic images are to be considered as reference images

Physical Article Dimensions

Height	100.00 mm
Width	100.75 mm
Depth/length	2000 mm

Packing Dimension

8 meters = 1		✓ VP1-smallest packaging unit (PU)		✓ VP1-preferred PU	
Lenght	2020 mm	Width	210 mm	Height	205 mm
Gross weight	28 kg	Volume	0,087 m ³		
Min. quantity	8.00 m	Max. Quantity	8.00 m		

128 meters = 1 rack					
Lenght	2000 mm	Width	1162 mm	Height	1120 mm
Gross weight	543 kg	Volume	2,603 m ³		
Min. Quantity	128.00 m	Max. Quantity	128.00 m		

Tender Text

Cable protection duct, with snap-on cover and double-row fastening holes in the duct bottom, visible surfaces coated in RAL colour electrostatically powder-coated in accordance to the manufacturer's catalogue, the equipotential bonding of the covers takes place automatically when snapped on, accessories for equipotential bonding, two splice plates LST... per joint, must be ordered separately.

VDE certified!

Dimensions (approx. dimensions)

Height H x width W : 100 x 100 mm

double row bottom perforation : 2x (7 x 15) and 2x (4.5 x 12) mm

Row distance : 50 mm

Bottom hole distance grid dimension : 250 mm

Delivery length L : 2000 mm

Usable cross section : 9582 mm²

Colour : pure white RAL : 9010

Material : steel, pre-galvanised acc. to DIN EN 10346

NIEDAX model no. : LLK 100.100 R

EP material _____ EP wage _____

Unit price/meter

Safety & Environment

REACH Date	25.06.2025
REACH Info	Conformable
RoHS Info	Conformable

Origin & International Trade

Country of origin	DE
Customs tariff number	73089059

Technical Datasheet

Cable protection duct

LLK 100.100 R

the photorealistic images are to be considered as reference images

Related items

Barrier strip

Model No.	Description
LZTP 100	Barrier profile holder with strain relief, channel depth 99 mm, steel, pre-galvanised according to DIN EN 10346
TPS 90	Barrier strip, height 11 mm, depth 90 mm, length 1996 mm, steel, pre-galvanised according to DIN EN 10346

Connector

Model No.	Description
LST 100	Splice plate with flat plug, for height 100 mm, steel, pre-galvanised according to DIN EN 10346