

Cover for Elbow 45°,

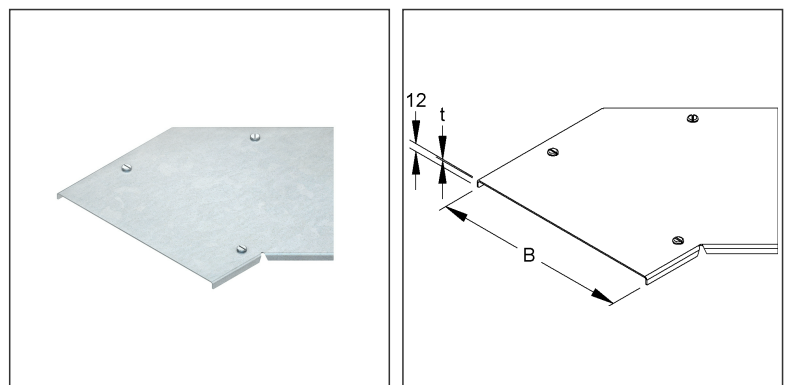
with pre-assembled turning lock fasteners

RBADVS 400

EAN Code: 4013339863167

Smallest packaging unit: 1 pc.

the photorealistic images are to be considered as reference images



Article Description

Cover for elbow 45° for cable tray, width 405 mm, with turning bolt, steel, pre-galvanised according to DIN EN 10346

Additional Price Information

Article group	N13
quantity unit	pcs.

Weight

Weight per quantity unit	2,476 kg/ pcs.
Weight in kg per 100	248 kg/ 100pcs.

Technical Datasheet

Cable Tray System

RBADVS 400

the photorealistic images are to be considered as reference images

Physical Article Dimensions

Height	15.50 mm
Width	479 mm
Depth/length	458 mm

Packing Dimension

1 piece = 1 piece		✓ VP1-smallest packaging unit (PU)			
Lenght	459 mm	Width	479 mm	Height	16.00 mm
Gross weight	2,48 kg	Volume	0,003 m ³		
Min. quantity	1.00 pcs.	Max. Quantity	1.00 pcs.		

Tender Text

Cover, heavy-duty version, with captive pre-mounted turning bolt fasteners, height-independent cover for the elbow 45° of walkable cable trays.
To support the walkable cover, please observe the minimum number of barrier strips (see barrier strip RTSKQ..., RTSQF... and RW...-...)!
Used for : elbow 45° RBAS ...
Dimensions (approx. dimensions)
Width W (inside) : 405 mm
Material thickness t : 2 mm
Material : Steel, pre-galvanised acc. to DIN EN 10346
NIEDAX Model No. : RBADVS 400
EP Material_____ EP Wage_____
Unit price/piece

Safety & Environment

REACH Date	25.06.2025
REACH Info	Conformable
RoHS Info	Conformable

Origin & International Trade

Country of origin	DE
Federal State of Origin	RP
Customs tariff number	73089059