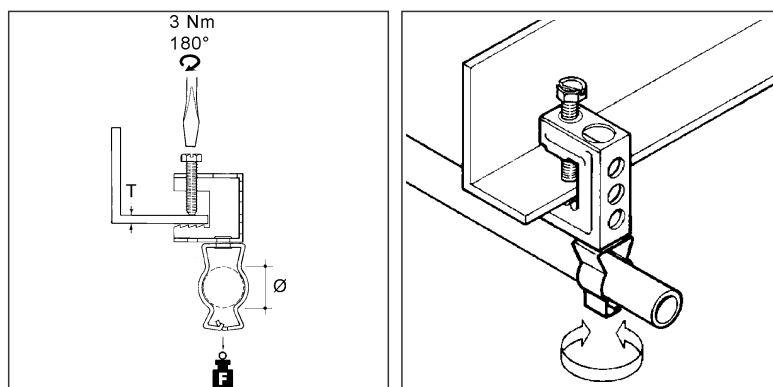


### Screw Clamp with Conduit Clip

## FH65-GM1926

EAN Code: 4013339750542  
 Smallest packaging unit: 25 pcs.

the photorealistic images are to be considered as reference images



### Article Description

E-KLIPS, screw clamp with conduit clip, Ø 19-26 mm, 045 kN, steel, mechanical zinc plated / passivated

### Additional Price Information

Article group	N12
quantity unit	pcs.

### Weight

Weight per quantity unit	48 g / pcs.
Weight in kg per 100	4,8 kg / 100pcs.

### Packing Dimension

<b>25 pieces = 1 carton</b>		✓ VP1-smallest packaging unit ( PU)	✓ VP1-preferred PU		
Lenght	128.00 mm	Width	180.00 mm	Height	124.00 mm
Gross weight	1,2 kg	Volume	0,003 m <sup>3</sup>		
Min. quantity	25.00 pcs.	Max. Quantity	25.00 pcs.		

# Technical Datasheet

## E-clips

### FH65-GM1926

the photorealistic images are to be considered as reference images

#### Tender Text

E-Klips, screw clamp with one-piece conduit clip, for screwing onto various support flanges, conduit clip can be rotated on screw clamp, for conduit suspension.

Dimensions (approx. dimensions)

for flange thickness T : 1 - 18 mm

Clamp support D : 19,5 mm

for conduit-Ø : 19 - 26 mm

Load capacity F : 0,45 kN

Material : Steel, mechanically galvanised/passivated acc. to DIN EN ISO 9227

NIEDAX Model-No. : FH65-GM1926

EP Material \_\_\_\_\_ EP Wage \_\_\_\_\_

Unit price/piece

#### Safety & Environment

REACH Date	25.06.2025
REACH Info	Conformable
RoHS Info	Conformable

#### Origin & International Trade

Country of origin	GB
Customs tariff number	73269096