

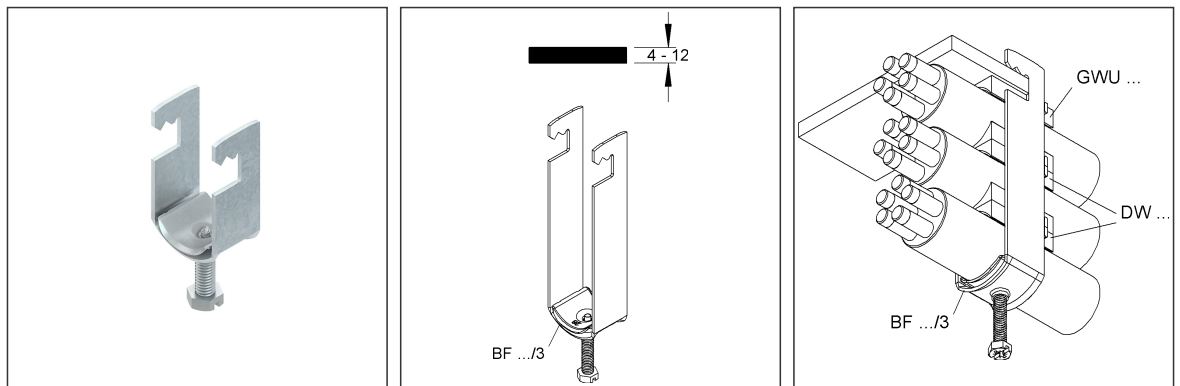
U-Clamp

with pressure trough

BF 20/3

EAN Code: 4013339064007
Smallest packaging unit: 100 pcs.

the photorealistic images are to be considered as reference images



Article Description

U-clamp, for flat bars 4-12 mm, for 3 cables, Ø 18-20 mm, steel, hot dip galvanised DIN EN ISO 1461, with steel pressure trough

Additional Price Information

Article group	N08
quantity unit	pcs.

Weight

Weight per quantity unit	66 g / pcs.
Weight in kg per 100	6,57 kg / 100pcs.

Technical Datasheet

U-clamps

BF 20/3

the photorealistic images are to be considered as reference images

Physical Article Dimensions

Height	24.00 mm
Width	119.00 mm
Depth/length	29.00 mm

Packing Dimension

100 pieces = 1 carton		✓ VP1-smallest packaging unit (PU)		✓ VP1-preferred PU	
Lenght	350 mm	Width	250 mm	Height	145.00 mm
Volume	0,013 m ³	Gross weight	7,13 kg		
Min. quantity	100.00 pcs.	Max. Quantity	100.00 pcs.		

5000 pieces = 1 pallet					
Lenght	1200 mm	Width	800 mm	Height	1000 mm
Gross weight	371 kg	Volume	0,960 m ³		
Min. Quantity	5.000.00 pcs.	Max. Quantity	5.000.00 pcs.		

Tender Text

U-clamp, with toothed clamp foot, with pressure trough and M 6 pivot bolt with multiple drive, can be used on existing steel structures.
Counter tray GWU ... / GWS ... and double tray DW ... please order separately.
Used for: flat steel with a thickness of 4 - 12 mm
Dimensions (approx.)
Assignment one above the other: 3 cables
for cable Ø : 18 - 20 mm
Material bracket : steel, hot-dip galvanised in accordance with DIN EN ISO 1461
Material pressure trough : steel, pre-galvanised according to DIN EN 10346
NIEDAX model no. : BF 20/3
EP Material_____ EP Wage_____
Unit price/piece

Safety & Environment

REACH Date	25.06.2025
REACH Info	Conformable
RoHS Info	Conformable

Origin & International Trade

Country of origin	DE
Customs tariff number	73269098