

### Cable U-Clamp

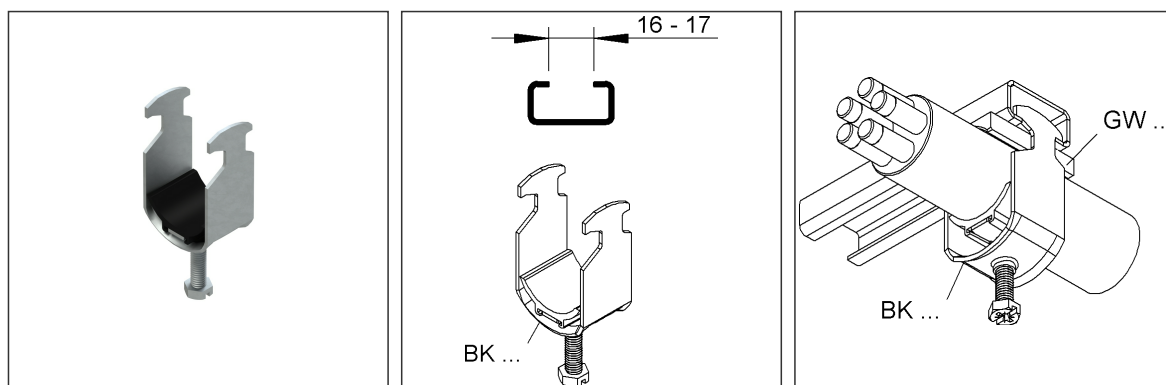
with plastic pressure trough

BK 30

EAN Code: 4013339084807

Smallest packaging unit: 100 pcs.

the photorealistic images are to be considered as reference images



#### Article Description

Cable U-clamp, for 1 cable, Ø 22-30 mm, slot width 16-17 mm, steel, hot dip galvanised DIN EN ISO 1461, w. plastics pressure trough

#### Additional Price Information

Article group	N08
quantity unit	pcs.

#### Weight

Weight per quantity unit	47 g / pcs.
Weight in kg per 100	4,67 kg / 100pcs.

# Technical Datasheet

## U-clamps

BK 30

the photorealistic images are to be considered as reference images

### Physical Article Dimensions

Height	34.00 mm
Width	83.00 mm
Depth/length	24.00 mm

### Packing Dimension

<b>100 pieces = 1 carton</b>		✓ VP1-smallest packaging unit ( PU)		✓ VP1-preferred PU	
Lenght	350 mm	Width	250 mm	Height	145.00 mm
Volume	0,013 m <sup>3</sup>	Gross weight	5,23 kg		
Min. quantity	100.00 pcs.	Max. Quantity	100.00 pcs.		
<b>5400 pieces = 1 pallet</b>					
Lenght	1200 mm	Width	800 mm	Height	1000 mm
Gross weight	297 kg	Volume	0,960 m <sup>3</sup>		
Min. Quantity	5.400.00 pcs.	Max. Quantity	5.400.00 pcs.		

### Tender Text

Hammerfoot clamp, including plastic pressure trough with UV protection and M 6 pivot bolt with multiple drive.  
Counter tray GW ... /GWS ... please order separately.  
Used for: C-profile rails with 16 - 17 mm slot width  
Dimensions (approx. dimensions)  
Assignment : 1 cable  
for cable Ø : 22 - 30 mm  
Material hammerfoot stirrup : steel, hot-dip galvanised to DIN EN ISO 1461  
Material pressure trough : Polypropylene (PP), halogen-free, with UV protection, colour black  
Material tray insert : steel, strip galvanised to DIN EN 10346  
NIEDAX model no. : BK 30  
EP Material \_\_\_\_\_ EP Wage \_\_\_\_\_  
Unit price/piece

### Safety & Environment

REACH Date	25.06.2025
REACH Info	Conformable
RoHS Info	Conformable

### Origin & International Trade

Country of origin	DE
Customs tariff number	73269098