

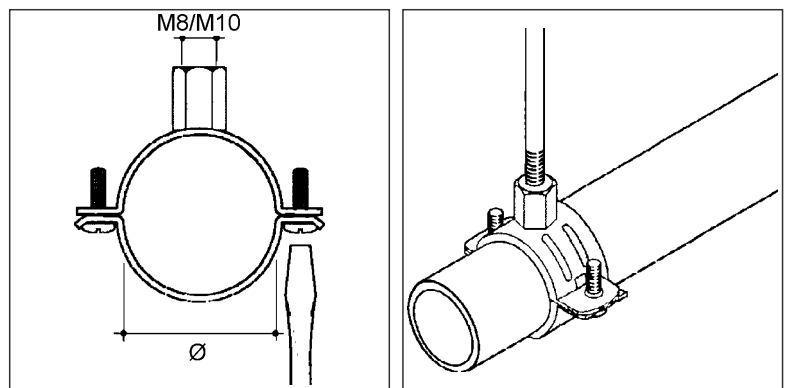
### Conduit Clamp

two-piece, with threaded connection

PB-8792

EAN Code: 4013339788637  
 Smallest packaging unit: 25 pcs.

the photorealistic images are to be considered as reference images



### Article Description

E-KLIPS, conduit clamp, Ø 89-92 mm, steel, zinc coating and chromate

### Additional Price Information

Article group	N12
quantity unit	pcs.

### Weight

Weight per quantity unit	141 g / pcs.
Weight in kg per 100	14 kg / 100pcs.

### Packing Dimension

<b>25 pieces = 1 carton</b>		✓ VP1-smallest packaging unit ( PU)	✓ VP1-preferred PU		
Lenght	130.00 mm	Width	130.00 mm	Height	190.00 mm
Gross weight	3,5 kg	Volume	0,003 m <sup>3</sup>		
Min. quantity	25.00 pcs.	Max. Quantity	25.00 pcs.		

### Tender Text

# Technical Datasheet

## E-clips

PB-8792

the photorealistic images are to be considered as reference images

### Tender Text

E-Klips, conduit clamp, two-part, with threaded connection for both thread sizes, for threaded rod suspension.  
Dimensions (approx. dimensions)  
for pipe-Ø : 87 - 92 mm  
for threaded connection : M 8 / M 10  
Material conduit clamp : steel, galvanised/chromated according to DIN 50021  
NIEDAX Model-No. : PB-8792  
EP Material\_\_\_\_\_ EP Wage\_\_\_\_\_  
Unit price/piece

### Safety & Environment

REACH Date	25.06.2025
REACH Info	Conformable
RoHS Info	Conformable

### Origin & International Trade

Country of origin	
Customs tariff number	73269096