

Elbow 45°

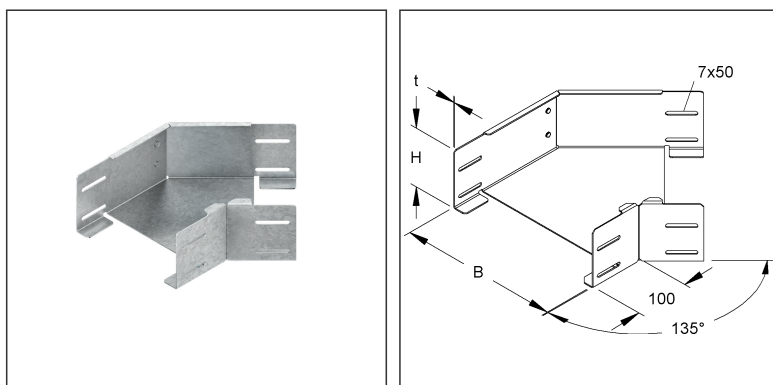
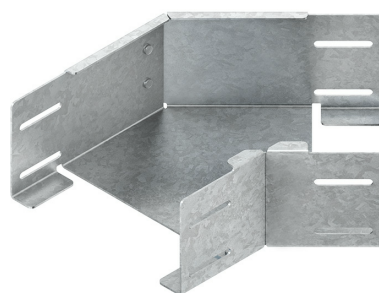
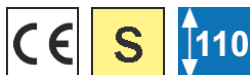
with unperforated side profiles, but with connector perforations, with integrated splice plates

RBAS 110.600

EAN Code: 4013339862597

Smallest packaging unit: 1 pc.

the photorealistic images are to be considered as reference images



Article Description

Elbow 45° for cable tray, 110x600 mm, with unperforated side profiles, steel, pre-galvanised according to DIN EN 10346, incl. accessories

Incl. accessories

1 piece = 1 piece	✓ lowest delivery unit	- preferred delivery unit
Model No.	Description	quantity
FLM 6X12	Mushroom-head bolt M6, similar DIN 603, length 12 mm, steel, electro galvanised according to DIN EN ISO 2081/4042, blue pass	8 pcs.

Additional Price Information

Article group	N13
quantity unit	pcs.

Technical Datasheet

Cable Tray System

RBAS 110.600

the photorealistic images are to be considered as reference images

Weight

Weight per quantity unit	4,885 kg/ pcs.
Weight in kg per 100	488 kg / 100pcs.

Physical Article Dimensions

Height	112.00 mm
Width	676.70 mm
Depth/length	597.80 mm

Packing Dimension

1 piece = 1 piece		✓ VP1-smallest packaging unit (PU)			
Lenght	598 mm	Width	677 mm	Height	112.00 mm
Gross weight	4,88 kg	Volume	0,045 m ³		
Min. quantity	1.00 pcs.	Max. Quantity	1.00 pcs.		

Tender Text

Elbow 45°, heavy version, with unperforated side profiles but with connector perforation for the connection as well as with integrated splice plates, for producing a 45° horizontally angled cable tray run, for walkable cable trays, including proportional fixing accessories.

for walkable cable trays : 110 mm edge height

Dimensions (approx. dimensions)

H x W (inside) : 110 x 600 mm

Material thickness t : 2 mm

Material : Steel, pre-galvanised according to DIN EN 10346

NIEDAX Model No. : RBAS 110.600

EP Material_____ EP Wage_____

Unit price/piece

Safety & Environment

REACH Date	25.06.2025
REACH Info	Conformable
RoHS Info	Conformable

Origin & International Trade

Country of origin	DE
Federal State of Origin	RP
Customs tarif number	73089059

Technical Datasheet

Cable Tray System

RBAS 110.600

the photorealistic images are to be considered as reference images

Related items

Cover

Model No.	Description
RBADVRS 600-2.0 S	Cover for elbow 45° for cable tray, antislip, width 605 mm, steel, pre-galvanised according to DIN EN 10346, with twist-lock
RBADVS 600	Cover for elbow 45° for cable tray, width 605 mm, with turning bolt, steel, pre-galvanised according to DIN EN 10346
RBADVRSRS 600	Cover for elbow 45° for cable tray, antislip, width 605 mm, steel, pre-galvanised according to DIN EN 10346, with twist-lock
RBADVSRSL 600 S	Cover for elbow 45° for KR, width 605 mm, t=4.0 mm, with turning bolt, steel, pre-galvanised acc. DIN EN 10346
RDRS 2	Turning bolt simply with locking nut acc. to DIN EN ISO 10511, steel, pre-galvanised according to DIN EN 10346, incl. accessories