

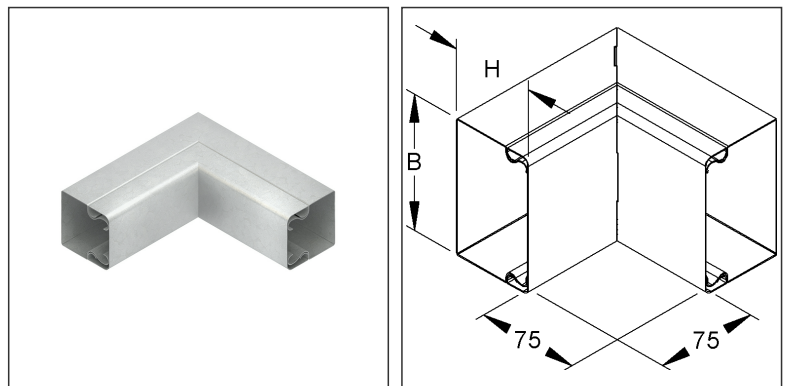
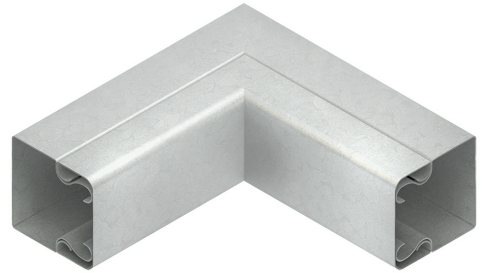
Inside Elbow 90°

incl. cover

LUIC 40.060

EAN Code: 4013339513703
 Smallest packaging unit: 8 pcs.

the photorealistic images are to be considered as reference images



Article Description

Inside elbow 90° with cover, 40x60 mm, steel, pre-galvanised according to DIN EN 10346

Additional Price Information

Article group	N16
quantity unit	pcs.

Weight

Weight per quantity unit	250 g/ pcs.
Weight in kg per 100	25 kg/ 100pcs.

Physical Article Dimensions

Height	60.00 mm
Width	116.00 mm
Depth/length	116.00 mm

Technical Datasheet

Cable protection duct

LUIC 40.060

the photorealistic images are to be considered as reference images

Packing Dimension

1 piece = 1 piece		✓ VP1-smallest packaging unit (PU)			
Lenght	116.00 mm	Width	116.00 mm	Height	60.00 mm
Gross weight	0,25 kg	Volume	0,001 m ³		
Min. quantity	1.00 pcs.	Max. Quantity	1.00 pcs.		
8 pieces = 1 carton		✓ VP2-preferred PU			
Lenght	260 mm	Width	185.00 mm	Height	120.00 mm
Gross weight	2,28 kg	Volume	0,006 m ³		
Min. Quantity	8.00 pcs.	Max. Quantity	8.00 pcs.		

Tender Text

Cable protection duct inside elbow 90°, with snap-on cover, duct bottom part unperforated, the equipotential bonding of the covers is carried out automatically when snapped on, accessories for equipotential bonding, two splice plates LST... per joint, must be ordered separately.
 VDE certified!
 Used for: cable protection ducts LLK...
 LUK...
 Dimensions (approx. dimensions)
 Height H x Width W : 40 x 60 mm
 Leg length inside : 75 mm
 Material : steel, pre-galvanised acc. to DIN EN 10346
 NIEDAX Model No. : LUIC 40.060
 EP Material _____ EP Lohn _____
 Unit price/piece

Safety & Environment

REACH Date	25.06.2025
REACH Info	Conformable
RoHS Info	Conformable

Origin & International Trade

Country of origin	DE
Customs tariff number	73089059