

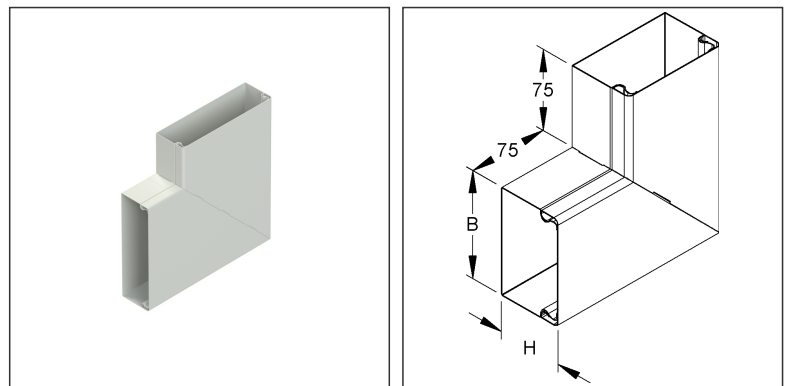
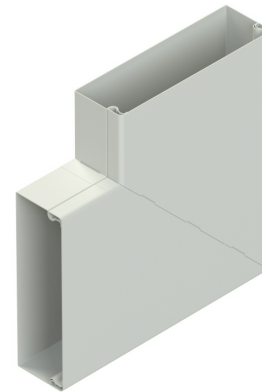
Vertical Elbow 90°

with cover

LUWC 100.100 R

EAN Code: 4013339833368
 Smallest packaging unit: 4 pcs.

the photorealistic images are to be considered as reference images



Article Description

Vertical elbow 90° with cover, 100x100 mm, steel, pre-galvanised according to DIN EN 10346, powder-coated, RAL9010

Additional Price Information

Article group	N16
quantity unit	pcs.

Weight

Weight per quantity unit	871 g / pcs.
Weight in kg per 100	87 kg / 100pcs.

Technical Datasheet

Cable protection duct

LUWC 100.100 R

the photorealistic images are to be considered as reference images

Physical Article Dimensions

Height	175.00 mm
Width	101.00 mm
Depth/length	175.00 mm

Packing Dimension

1 piece = 1 piece		✓ VP1-smallest packaging unit (PU)			
Lenght	175.00 mm	Width	101.00 mm	Height	175.00 mm
Gross weight	0,87 kg	Volume	0,003 m ³		
Min. quantity	1.00 pcs.	Max. Quantity	1.00 pcs.		
4 pieces = 1 carton		✓ VP2-preferred PU			
Lenght	480 mm	Width	280 mm	Height	140.00 mm
Gross weight	4,37 kg	Volume	0,019 m ³		
Min. Quantity	4.00 pcs.	Max. Quantity	4.00 pcs.		

Tender Text

Cable protection duct vertical elbow 90°, with snap-on cover, duct bottom part unperforated, visible surfaces electrostatically powder-coated in RAL colour according to the manufacturer's catalogue, equipotential bonding of the covers is carried out automatically when snapped on, accessories for equipotential bonding, two splice plates LST... per joint, must be ordered separately.
VDE certified!
Used for: cable protection ducts LLK...
LUK...
Dimensions (approx. dimensions)
Height H x Width W : 100 x 100 mm
Leg length inside : 75 mm
Colour : pure white
RAL : 9010
Material : steel, pre-galvanised acc. to DIN EN 10346
NIEDAX Model No. : LUWC 100.100 R
EP Material_____ EP Wage_____
Unit price/piece

Safety & Environment

REACH Date	25.06.2025
REACH Info	Conformable
RoHS Info	Conformable

Origin & International Trade

Country of origin	DE
Customs tariff number	73089059