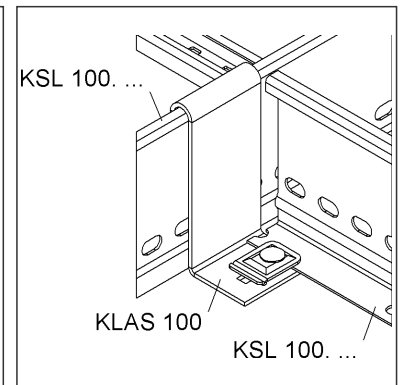
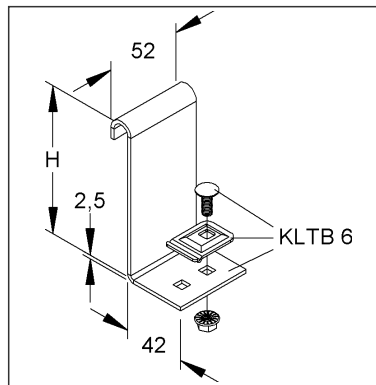
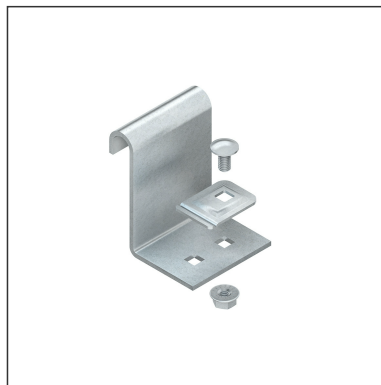


Cable Ladder Connection Piece

KLAS 100

EAN Code: 4013339295005
 Smallest packaging unit: 20 pcs.

the photorealistic images are to be considered as reference images



Article Description

Cable ladder connection piece, height 100 mm, steel, hot dip galvanised DIN EN ISO 1461, incl. accessories

Incl. accessories

1 KLTB 6 F

Additional Price Information

Article group	N13
quantity unit	pcs.

Weight

Weight per quantity unit	206 g / pcs.
Weight in kg per 100	21 kg / 100pcs.

Technical Datasheet

Cable Ladder System

KLAS 100

the photorealistic images are to be considered as reference images

Physical Article Dimensions

Height	107.00 mm
Width	52.00 mm
Depth/length	55.50 mm

Packing Dimension

20 pieces = 1 carton		✓ VP1-smallest packaging unit (PU)		✓ VP1-preferred PU	
Lenght	250 mm	Width	250 mm	Height	100.00 mm
Gross weight	4,47 kg	Volume	0,006 m ³		
Min. quantity	20.00 pcs.	Max. Quantity	20.00 pcs.		

720 pieces = 1					
Lenght	750 mm	Width	750 mm	Height	730 mm
Gross weight	201 kg	Volume	0,411 m ³		
Min. Quantity	720.00 pcs.	Max. Quantity	720.00 pcs.		

Tender Text

Cable ladder connection piece, for creating a T-shaped connection of cable ladders of the same height, including proportional fastening accessories in hot-dip galvanised. To extend the cable support surface, the corner plate KLEB...
 Used for : cable ladders KL 100...
 Dimensions (approx. dimensions)
 Height H : 100 mm
 Material : steel, hot-dip galvanised acc. to DIN EN ISO 1461
 NIEDAX Model No. : KLAS 100
 EP Material_____ EP Lohn_____
 Unit price/piece

Safety & Environment

REACH Date	25.06.2025
REACH Info	Conformable
RoHS Info	Conformable

Origin & International Trade

Country of origin	DE
Federal State of Origin	RP
Customs tariff number	73089059