

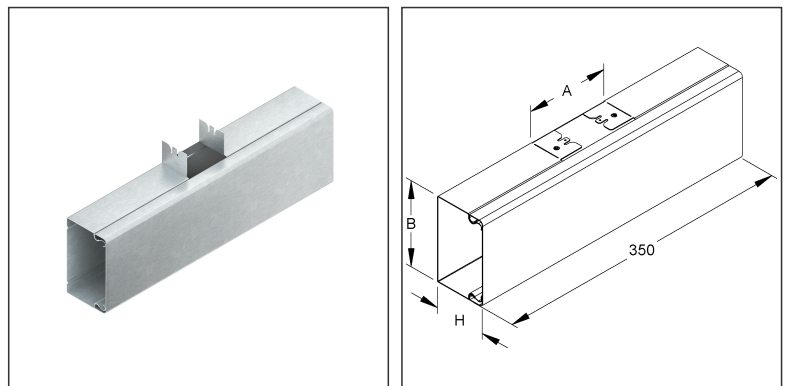
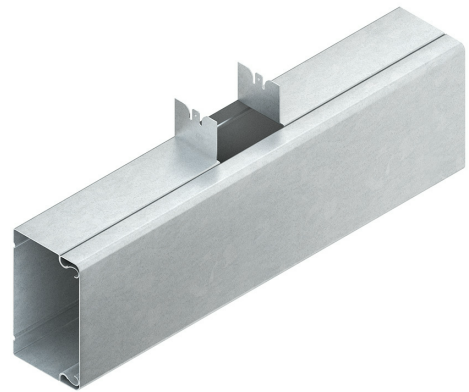
T-Piece

with cover

LUT 60.200.150 W

EAN Code: 4013339516162
 Smallest packaging unit:2 pcs.

the photorealistic images are to be considered as reference images



Article Description

T-piece with cover, 60x200 mm, steel,pre-galvanised according to DIN EN 10346,powder-coated,RAL9001

Additional Price Information

Article group	N16
quantity unit	pcs.

Weight

Weight per quantity unit	1,480 kg / pcs.
Weight in kg per 100	148 kg / 100pcs.

Physical Article Dimensions

Height	200.00 mm
Width	61.10 mm
Depth/length	352 mm

Technical Datasheet

Cable protection duct

LUT 60.200.150 W

the photorealistic images are to be considered as reference images

Packing Dimension

1 piece = 1 piece		✓ VP1-smallest packaging unit (PU)			
Lenght	352 mm	Width	62.00 mm	Height	200.00 mm
Gross weight	1,48 kg	Volume	0,004 m ³		
Min. quantity	1.00 pcs.	Max. Quantity	1.00 pcs.		
2 pieces = 1 carton		✓ VP2-preferred PU			
Lenght	420 mm	Width	250 mm	Height	120.00 mm
Gross weight	3,39 kg	Volume	0,013 m ³		
Min. Quantity	2.00 pcs.	Max. Quantity	2.00 pcs.		

Tender Text

Cable protection duct T-piece 90°, with snap-on cover, duct base not perforated, connection lugs with earthing lug flush with the duct, these must be bent open once on site at the pre-stamped notches at right angles for the outlet, visible surfaces electrostatically powder-coated in RAL colour according to the manufacturer's catalogue, equipotential bonding is carried out between the ducts via the Splice plate LST... and the equipotential bonding ladder GSLH... (please order separately), for the covers automatically when snapped on.

VDE certified!

Used for: cable protection ducts LLK...

LUK...

Dimensions (approx. dimensions)

Main direction Height H x width W : 60 x 200 mm

Outlet Height H x width W : 60 x 150 mm

The height of the outlet corresponds to the height of the main direction!

Length L : 350 mm

Colour : cream white

RAL : 9001

Material : steel, pre-galvanised according to DIN EN 10346

NIEDAX Model No. : LUT 60.200.150 W

EP Material_____ EP Wage_____

Unit price/piece

Safety & Environment

REACH Date	25.06.2025
REACH Info	Conformable
RoHS Info	Conformable

Origin & International Trade

Country of origin	DE
Customs tariff number	73089059