

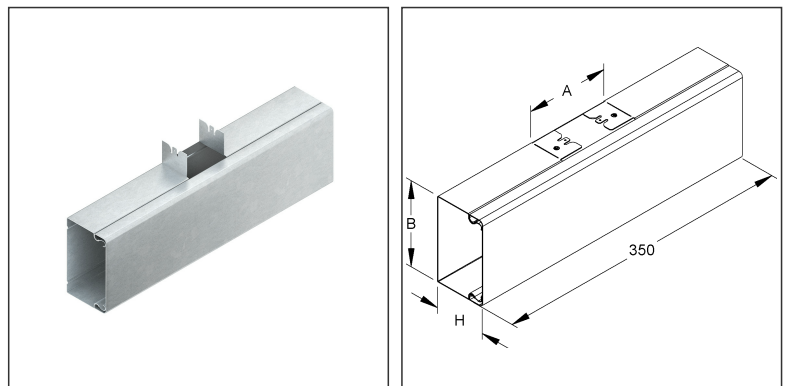
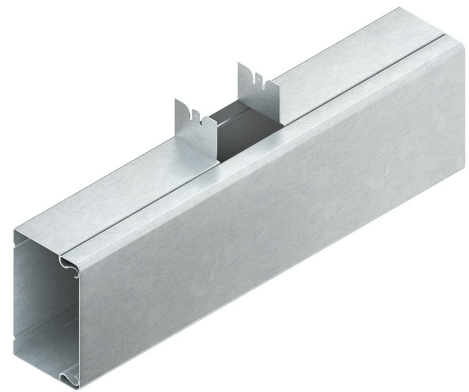
T-Piece

incl. cover

LUT 60.150.060

EAN Code: 4013339515509
 Smallest packaging unit: 2 pcs.

the photorealistic images are to be considered as reference images



Article Description

T-piece with cover, 60x150 mm, steel, pre-galvanised according to DIN EN 10346

Additional Price Information

Article group	N16
quantity unit	pcs.

Weight

Weight per quantity unit	1,213 kg / pcs.
Weight in kg per 100	121 kg / 100pcs.

Physical Article Dimensions

Height	150.00 mm
Width	61.10 mm
Depth/length	350 mm

Technical Datasheet

Cable protection duct

LUT 60.150.060

the photorealistic images are to be considered as reference images

Packing Dimension

1 piece = 1 piece		✓ VP1-smallest packaging unit (PU)			
Lenght	350 mm	Width	62.00 mm	Height	150.00 mm
Gross weight	1,21 kg	Volume	0,003 m ³		
Min. quantity	1.00 pcs.	Max. Quantity	1.00 pcs.		
2 pieces = 1 carton		✓ VP2-preferred PU			
Lenght	420 mm	Width	250 mm	Height	120.00 mm
Gross weight	2,97 kg	Volume	0,013 m ³		
Min. Quantity	2.00 pcs.	Max. Quantity	2.00 pcs.		

Tender Text

Cable protection duct T-piece 90°, with snap-on cover, duct bottom part unperforated, connecting lugs with earthing lug aligned with the duct, these must be bent up once by the customer at the pre-stamped notches at right angles for the outgoing feed, equipotential bonding is carried out between the ducts via the splice plates LST... and the potential equalisation cable GSLH... (please order separately), in the case of the covers automatically when snapped on.
 VDE certified!
 Used for: cable protection ducts LLK...
 LUK...
 Dimensions (approx. dimensions)
 Main direction Height H x width W : 60 x 150 mm
 Outlet Height H x width W : 60 x 60 mm
 The height of the outlet corresponds to the height of the main direction!
 Length L : 350 mm
 Material : steel, pre-galvanised acc. to DIN EN 10346
 NIEDAX Model No. : LUT 60.150.060
 EP Material_____ EP Lohn_____
 Unit price/piece

Safety & Environment

REACH Date	25.06.2025
REACH Info	Conformable
RoHS Info	Conformable

Origin & International Trade

Country of origin	DE
Customs tariff number	73089059