

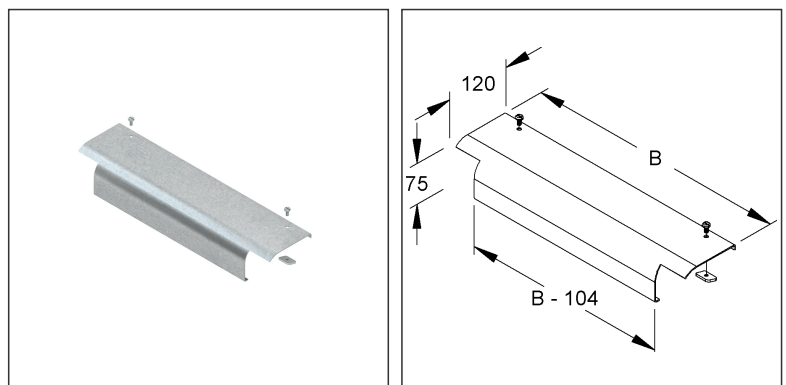
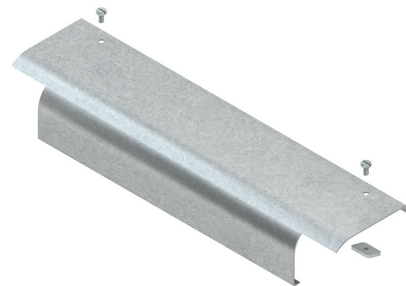
End Outlet Plate

with rounded edges

WLAB 400

EAN Code: 4013339899753
 Smallest packaging unit: 1 pc.

the photorealistic images are to be considered as reference images



Article Description

End outlet plate, width 390 mm, steel, pre-galv. according DIN EN 10346, with pre-assembled accessories

Incl. accessories

2 FK 6X12 V, 2 GSM 406 G

Additional Price Information

Article group	N13
quantity unit	pcs.

Weight

Weight per quantity unit	827 g / pcs.
Weight in kg per 100	83 kg / 100pcs.

Technical Datasheet

Long Span Cable Ladder

WLAB 400

the photorealistic images are to be considered as reference images

Physical Article Dimensions

Height	78.60 mm
Width	390 mm
Depth/length	120.00 mm

Packing Dimension

1 piece = 1 piece		✓ VP1-smallest packaging unit (PU)			
Lenght	120.00 mm	Width	390 mm	Height	79.00 mm
Gross weight	0,83 kg	Volume	0,004 m ³		
Min. quantity	1.00 pcs.	Max. Quantity	1.00 pcs.		

Tender Text

End outlet plate, with rounded edge to protect the cables when changing vertical direction, for wide span cable ladders, including proportional fastening accessories. The end outlet plate must be arranged in personal danger areas!
Suitable for : Wide span cable ladders with C-rung profile with 16 mm slot width
Dimensions (approx. dimensions)
Height H x Width W : 75 x 390 mm
Material : steel, pre-galvanised acc. to DIN EN 10346
NIEDAX Model No. : WLAB 400
EP Material_____ EP Lohn_____
Unit price/piece

Safety & Environment

REACH Date	25.06.2025
REACH Info	Conformable
RoHS Info	Conformable

Origin & International Trade

Country of origin	DE
Customs tariff number	73089059