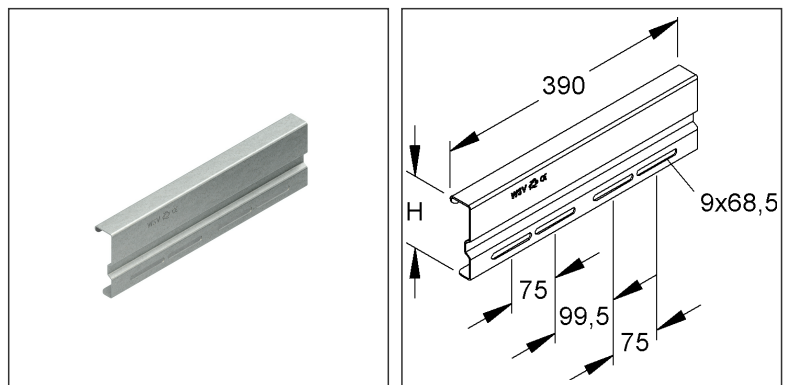
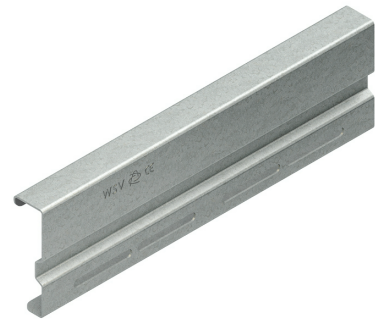


Splice Plate

WSV 105.390 E3

EAN Code: 4013339340132
 Smallest packaging unit: 10 pcs.

the photorealistic images are to be considered as reference images



Article Description

Splice plate, 106,5x390 mm, stainless steel, material code: 1.4301, AISI 304, incl. accessories

Incl. accessories

4 FLM 8X16 E3

Additional Price Information

Article group	N13
quantity unit	pcs.

Weight

Weight per quantity unit	1,171 kg/ pcs.
Weight in kg per 100	117 kg/ 100pcs.

Technical Datasheet

Long Span Cable Tray

WSV 105.390 E3

the photorealistic images are to be considered as reference images

Physical Article Dimensions

Height	110.50 mm
Width	35.00 mm
Depth/length	390 mm

Packing Dimension

10 pieces = 1 carton		✓ VP1-smallest packaging unit (PU)	✓ VP1-preferred PU		
Lenght	425 mm	Width	185.00 mm	Height	120.00 mm
Gross weight	12 kg	Volume	0,009 m ³		
Min. quantity	10.00 pcs.	Max. Quantity	10.00 pcs.		

600 pieces = 1 pallet					
Lenght	1200 mm	Width	800 mm	Height	1000 mm
Gross weight	744 kg	Volume	0,960 m ³		
Min. Quantity	600.00 pcs.	Max. Quantity	600.00 pcs.		

Tender Text

Splice plate, to create a form-fitting, longitudinally aligned connection, including proportional fastening accessories in stainless steel. The equipotential bonding is achieved by screwing to the wide span cable trays/ladder beams as well as to the fitting beams.

Used for : wide span cable trays/ladders and their fittings with 105 mm edge height

Requirement : 2 pieces per joint

Dimensions (approx. dimensions)
clear height H x clear width W : 106.5 x 390 mm

Material : stainless steel, material no. 1.4301, AISI 304

NIEDAX Model No. : WSV 105.390 E3

EP Material _____ EP Wage _____

Unit price/piece

Safety & Environment

REACH Date	25.06.2025
REACH Info	Conformable
RoHS Info	Conformable

Origin & International Trade

Country of origin	DE
Customs tariff number	73089059