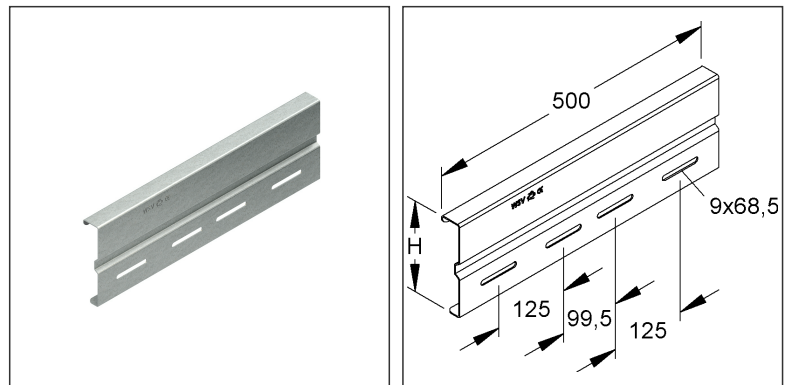
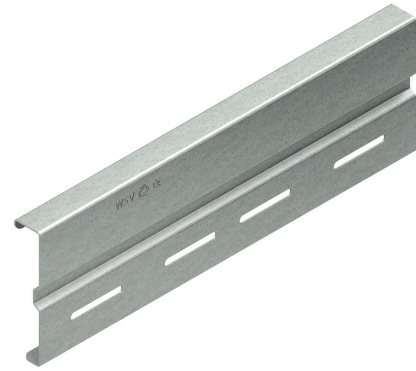


**Splice Plate**

**WSV 150.500 F**

EAN Code: 4013339301805  
Smallest packaging unit: 10 pcs.

the photorealistic images are to be considered as reference images



**Article Description**

Splice plate, 151,5x500 mm, steel, hot dip galvanised DIN EN ISO 1461, incl. accessories

**Incl. accessories**

4 FLM 8X13 F

**Additional Price Information**

Article group	N13
quantity unit	pcs.

**Weight**

Weight per quantity unit	2,007 kg/ pcs.
Weight in kg per 100	201 kg/ 100pcs.

# Technical Datasheet

## Long Span Cable Tray

WSV 150.500 F

the photorealistic images are to be considered as reference images

### Physical Article Dimensions

Height	155.50 mm
Width	35.00 mm
Depth/length	500 mm

### Packing Dimension

<b>10 pieces = 1 carton</b>		✓ VP1-smallest packaging unit ( PU)	✓ VP1-preferred PU		
Lenght	550 mm	Width	185.00 mm	Height	140.00 mm
Gross weight	21 kg	Volume	0,014 m <sup>3</sup>		
Min. quantity	10.00 pcs.	Max. Quantity	10.00 pcs.		

<b>400 pieces = 1 pallet</b>					
Lenght	1200 mm	Width	800 mm	Height	1000 mm
Gross weight	841 kg	Volume	0,960 m <sup>3</sup>		
Min. Quantity	400.00 pcs.	Max. Quantity	400.00 pcs.		

### Tender Text

Splice plate, to create a form-fitting, longitudinally aligned connection, including proportional fastening accessories in hot-dip galvanised. The equipotential bonding is achieved by screwing to the wide span cable trays/ladder beams as well as to the fitting beams.

Used for : wide span cable trays/ladders and their fittings with 150 mm edge height

Requirement : 2 pieces per joint

Dimensions (approx. dimensions)

Height H (clear internal dimension) x width W : 151.5 x 500 mm

Material : steel, hot-dip galvanised acc. to DIN EN ISO 1461

NIEDAX Model No. : WSV 150.500 F

EP Material \_\_\_\_\_ EP Wage \_\_\_\_\_

Unit price/piece

### Safety & Environment

REACH Date	25.06.2025
REACH Info	Conformable
RoHS Info	Conformable

### Origin & International Trade

Country of origin	DE
Customs tariff number	73089059